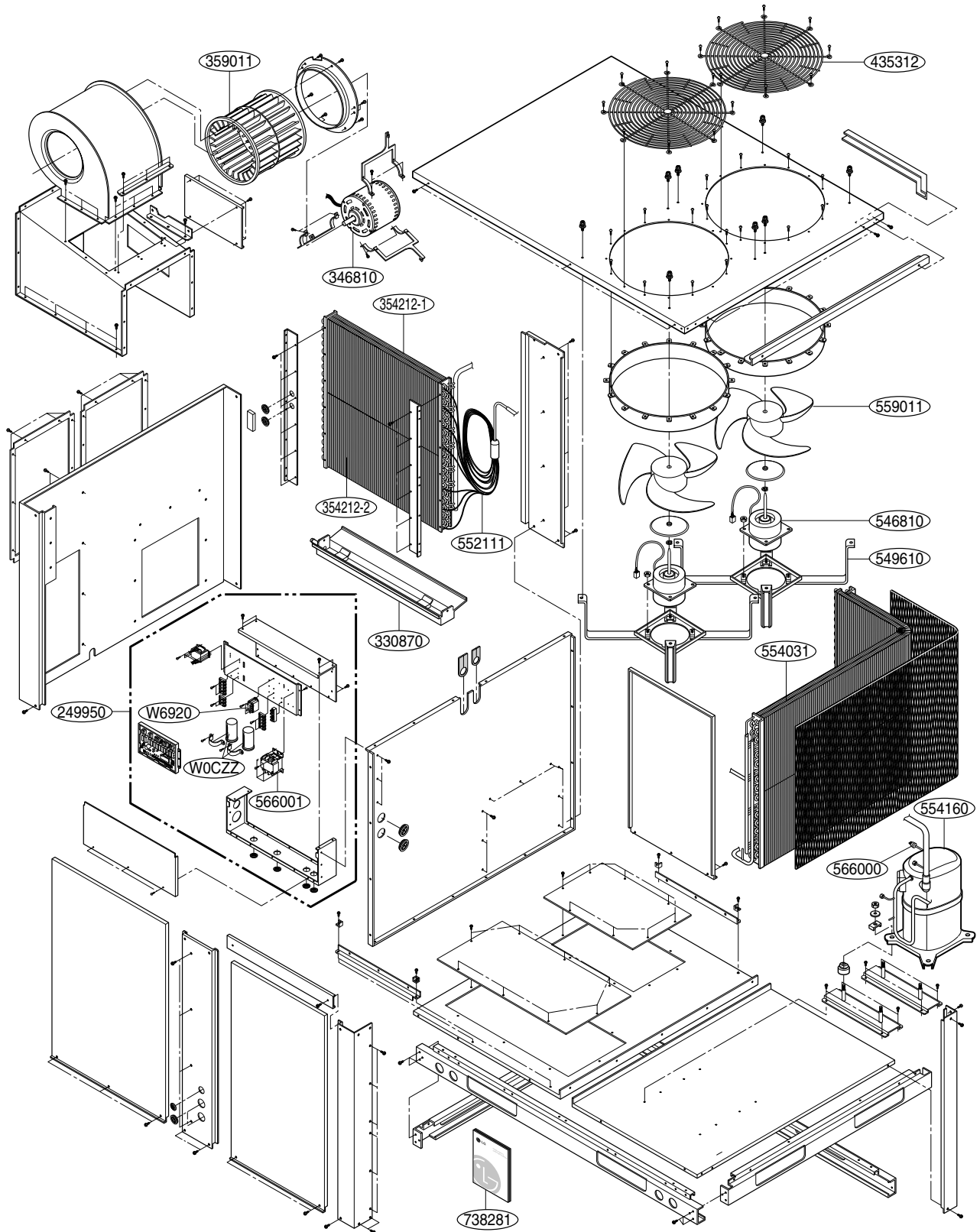


# Exploded View and Replacement Parts List

## 1. LK-0580AC/0580CC/0580HC/0580BC

### • Exploded View



## Cooling

### • Replacement Parts List

| Location Number | Parts Name.                 | Part Number |             | Remarks          |
|-----------------|-----------------------------|-------------|-------------|------------------|
|                 |                             | LK-0580AC   | LK-0580CC   |                  |
| 435312          | GRILLE,DISCHARGE            | 3530A20007J | 3530A20007J |                  |
| 249950          | CONTROL BOX ASSEMBLY,SINGLE | 4995A10016G | 4995A10016A |                  |
| 261704          | TRANSFORMER,POWER           | 6171AQ2138E | 6171AQ2138E |                  |
| 263230          | THERMISTOR ASSEMBLY         | 6323AQ2333T | 6323AQ2333T |                  |
| 267110          | REMOTE CONTROLLER ASSEMBLY  | 6711A20043A | 6711A20043A |                  |
| 268714          | PWB(PCB) ASSY,MAIN          | 6871A20085G | 6871A20085G |                  |
| 330870          | DRAIN PAN ASSEMBLY          | 3087A30002F | 3087A30002F |                  |
| 346810          | MOTOR ASSEMBLY,INDOOR       | 4681A20022F | 4681A20022F |                  |
| 354210          | EVAPORATOR ASSEMBLY,FIRST   | 5421A10003A | 5421A10003A |                  |
| 354210          | EVAPORATOR ASSEMBLY,FIRST   | 5421A10003B | 5421A10003B |                  |
| 359012          | FAN ASSEMBLY,BLOWER         | 2A00578M    | 2A00578M    |                  |
| 546810          | MOTOR ASSEMBLY,OUTDOOR      | 4681A20008Z | 4681A20008Z |                  |
| 549610          | MOUNT ASSY,MOTOR(OUTDOOR)   | 3A00434B    | 3A00434B    |                  |
| 552111          | TUBE ASSY,CAPILLARY         | 5211A20233G | 5211A20233G |                  |
| 554031          | CONDENSER ASSEMBLY,BENT     | 5403A10007H | 5403A10007D |                  |
| 554160          | COMPRESSOR                  | 5417A20008G | 5417A20008G |                  |
| 559010          | FAN ASSEMBLY,PROPELLER      | 1A00195G    | 1A00195G    |                  |
| 566000          | SWITCH,PRESSURE             | 6600A20004C | 6600A20004C | LOW-PRESSURE S/W |
| 566001          | SWITCH,MAGNET               | 6600B000041 | 6600B000041 |                  |
| 738281          | MANUAL,SERVICE              | 3828A30027F | 3828A30027F |                  |
| W0CZZ           | CAPACITOR,DRAWING           | 0CZZA20001C | 0CZZA20001C |                  |
| W0CZZ           | CAPACITOR,DRAWING           | 2H00841J    | 2H00841J    |                  |
| W6920           | RELAY                       | 6920AP3400A | 6920AP3400A |                  |

### • Accessory or Option Parts List

| Location Number | Parts Name.     | Part Number |           | Remarks         |
|-----------------|-----------------|-------------|-----------|-----------------|
|                 |                 | LK-0580AC   | LK-0580CC |                 |
| 566000          | SWITCH,PRESSURE | 6600A20004E | -         | HI-PRESSURE S/W |
| W6920           | RELAY           | 2A00999K    | -         | E.O.C.R.        |

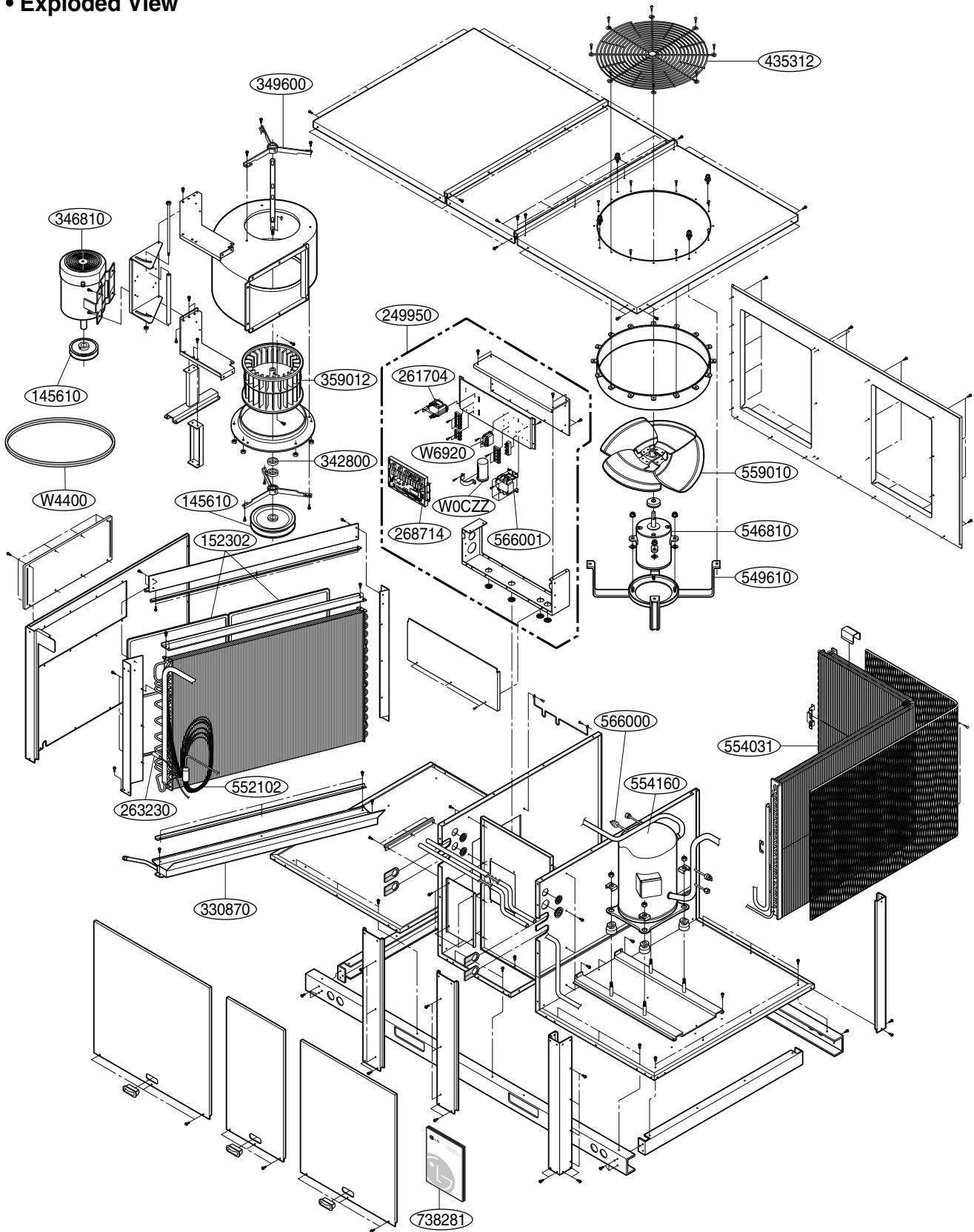
## Heat Pump

### • Replacement Parts List

| Location Number | Parts Name.                   | Part Number |             | Remarks |
|-----------------|-------------------------------|-------------|-------------|---------|
|                 |                               | LK-0580BC   | LK-0580HC   |         |
| 435312          | GRILLE,DISCHARGE              | 3530A20007J | 3530A20007J |         |
| 249950          | CONTROL BOX ASSEMBLY,SINGLE   | 4995A10015A | 4995A10015A |         |
| 261704          | TRANSFORMER,POWER             | 6171AQ2138E | 6171AQ2138E |         |
| 263230          | THERMISTOR ASSEMBLY           | 6323AQ2333W | 6323AQ2333W |         |
| 267110          | REMOTE CONTROLLER ASSEMBLY    | 6711A20043B | 6711A20043B |         |
| 268714          | PWB(PCB) ASSY,MAIN            | 6871A20085K | 6871A20085K |         |
| 330870          | DRAIN PAN ASSEMBLY            | 3087A30002F | 3087A30002F |         |
| 346810          | MOTOR ASSEMBLY,INDOOR         | 4681A20022F | 4681A20022F |         |
| 354212          | EVAPORATOR ASSEMBLY,FIRST     | 5421A10003A | 5421A10003A |         |
| 354212          | EVAPORATOR ASSEMBLY,FIRST     | 5421A10003B | 5421A10003B |         |
| 359012          | FAN ASSEMBLY,BLOWER           | 2A00578M    | 2A00578M    |         |
| 546810          | MOTOR ASSEMBLY,OUTDOOR        | 4681A20008Z | 4681A20008Z |         |
| 549610          | MOUNT ASSY,MOTOR(OUTDOOR)     | 3A00434B    | 3A00434B    |         |
| 552111          | TUBE ASSY,DISTRIBUTOR         | 5211A10050A | 5211A10050A |         |
| 552111          | TUBE ASSY,CAPILLARY           | 5211A20233H | 5211A20233H |         |
| 552202          | VALVE,REVERSING               | 3A02080A    | 3A02080A    |         |
| 554031          | CONDENSER ASSEMBLY,BENT       | 5403A10007F | 5403A10007B |         |
| 554160          | COMPRESSOR                    | 5417A20008G | 5417A20008G |         |
| 559010          | FAN ASSEMBLY,PROPELLER        | 1A00195G    | 1A00195G    |         |
| 561410          | COIL ASSEMBLY,REVERSING VALVE | 3A02028B    | 3A02028B    |         |
| 566001          | SWITCH,MAGNET                 | 6600B000041 | 6600B000041 |         |
| 738281          | MANUAL,SERVICE                | 3828A30027F | 3828A30027F |         |
| W0CZZ           | CAPACITOR,DRAWING             | 0CZZA20001C | 0CZZA20001C |         |
| W0CZZ           | CAPACITOR,DRAWING             | 2H00841J    | 2H00841J    |         |
| W6920           | RELAY                         | 6920AP3400A | 6920AP3400A |         |

## 2. LK-0880AH/0880BH/0880BHS1/0880CH/0880HH

### • Exploded View



## Cooling

### • Replacement Parts List

| Location Number | Parts Name.                        | Part Number |             | Remarks                               |
|-----------------|------------------------------------|-------------|-------------|---------------------------------------|
|                 |                                    | LK-0880AH   | LK-0880CH   |                                       |
| 435312          | GRILLE ASSEMBLY,DISCHARGE(OUTDOOR) | 2A00144J    | 2A00144J    |                                       |
| 145610          | PULLEY ASSEMBLY                    | 3A00217R    | 3A00217R    | VARIABLE PULLEY                       |
| 145610          | PULLEY ASSEMBLY                    | 4561A30001F | 4561A30001F | BLOWER PULLEY                         |
| 152302          | FILTER(MECH),A/C                   | 5230A20003A | 5230A20003A |                                       |
| 152302          | FILTER(MECH),A/C                   | 5230A20003C | 5230A20003C |                                       |
| 249950          | CONTROL BOX ASSEMBLY,SINGLE        | 4995A10011A | 4995A10011A |                                       |
| 261704          | TRANSFORMER,POWER                  | 6171AQ2138D | 6171AQ2138D |                                       |
| 263230          | THERMISTOR ASSEMBLY                | 6323AQ2333T | 6323AQ2333T |                                       |
| 267110          | REMOTE CONTROLLER ASSEMBLY         | 6711A20043A | 6711A20043A |                                       |
| 268714          | PWB(PCB) ASSY,MAIN                 | 6871A20085G | 6871A20085G |                                       |
| 330870          | DRAIN PAN ASSEMBLY                 | 3087A20002B | 3087A20002B |                                       |
| 342800          | BEARING                            | 4A00131A    | 4A00131A    | PAC-ALL GGPP GAC-080 KSB2046          |
| 346810          | MOTOR ASSEMBLY,INDOOR              | 4681A20018B | 4681A20018B |                                       |
| 349600          | BRACKET ASSEMBLY                   | 4811A30006A | 4811A30006A |                                       |
| 359012          | FAN,SIDE                           | 5835A20001A | 5835A20001A | OD320                                 |
| 546810          | MOTOR ASSEMBLY,OUTDOOR             | 4681A20019C | 4681A20019C |                                       |
| 548490          | ACCUMULATOR ASSY(MECH)             | 4849A20001D | 4849A20001D |                                       |
| 549610          | MOUNT ASSEMBLY,MOTOR(OUTDOOR)      | 4961A20029A | 4961A20029A |                                       |
| 552111          | TUBE ASSY,CAPILLARY                | 5211A20233K | 5211A20233K |                                       |
| 554031          | CONDENSER ASSEMBLY,BENT            | 5403A20016Z | 5403A20016L |                                       |
| 554160          | COMPRESSOR ASSEMBLY                | 5417A20007F | 5417A20007F | BRISTOL 380-415V 50HZ H25G104DBVE     |
| 559010          | FAN ASSEMBLY,PROPELLER             | 1A00284A    | 1A00284A    |                                       |
| 566000          | SWITCH,PRESSURE                    | 6600A20004C | 6600A20004C | LCB-DA59 SAGINOMIYA DC5V 0.01A 2.0K   |
| 566001          | SWITCH,MAGNET                      | 6600B000041 | 6600B000041 | GMC-32 LGIS 200-240V 32A 3P           |
| 738281          | MANUAL,SERVICE                     | 3828A30027F | 3828A30027F | UNITARY GGUUK LK-0580CH-2080CH 50HZ   |
| W4400           | BELT,V                             | 4400A30001P | 4400A30001P | PAC-ALL GGPP N 48A                    |
| W6920           | RELAY                              | 6920AP3400A | 6920AP3400A | G7L-2A-TUV OMRON 250VAC 25A 250VAC 2A |

### • Accessory or Option Parts List

| Location Number | Parts Name.     | Part Number |             | Remarks         |
|-----------------|-----------------|-------------|-------------|-----------------|
|                 |                 | LK-0880AH   | LK-0880CH   |                 |
| 566000          | SWITCH,PRESSURE | 6600A20004E | 6600A20004E | HI-PRESSURE S/W |

## Heat Pump

### • Replacement Parts List

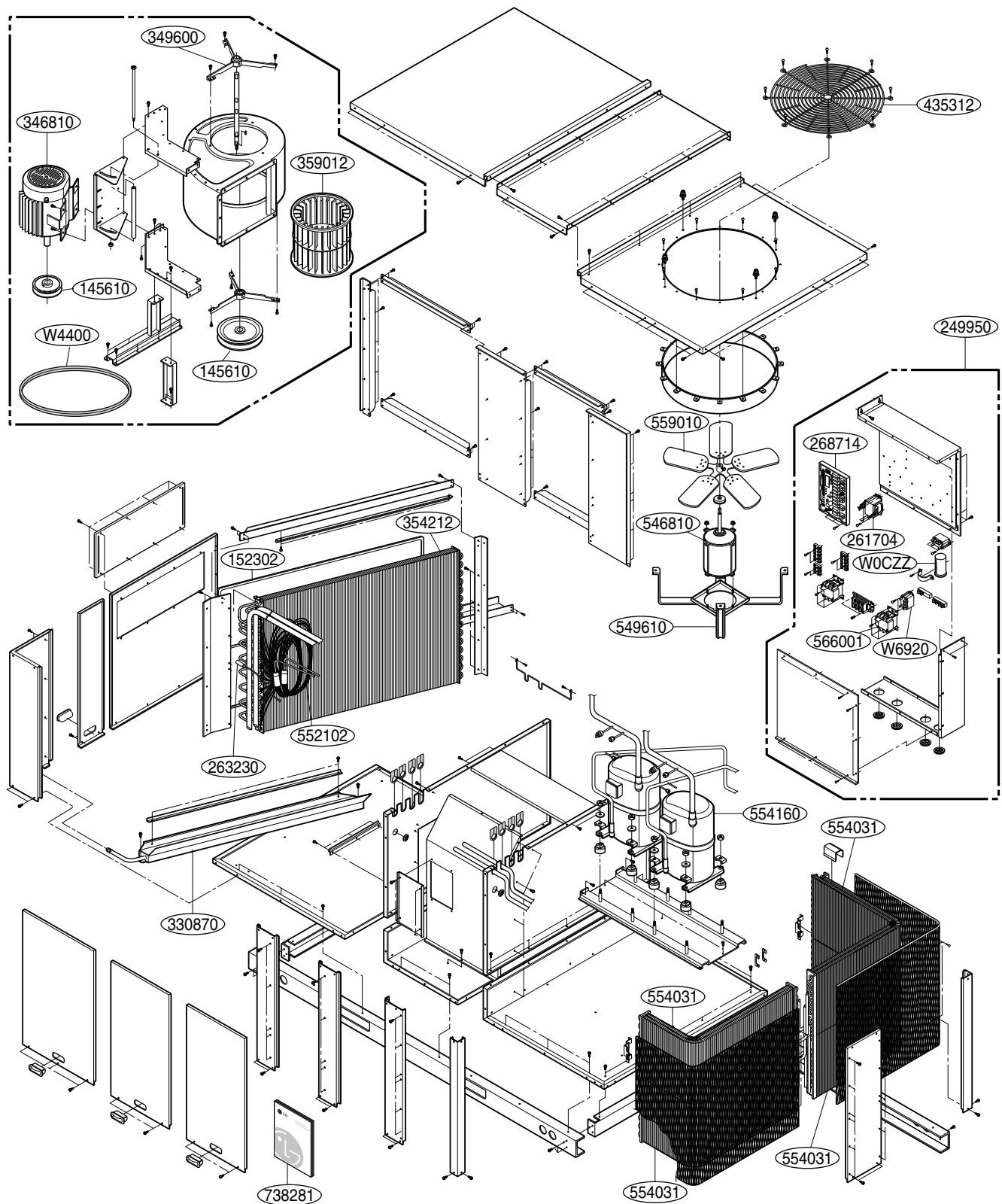
| Location Number | Parts Name.                        | Part Number |             |             | Remarks                           |
|-----------------|------------------------------------|-------------|-------------|-------------|-----------------------------------|
|                 |                                    | LK-0880BH   | LK-0880HH   | LK-0880BHS1 |                                   |
| 145610          | PULLEY ASSEMBLY                    | 3A00217R    | 3A00217R    | 3A00217R    | VARIABLE PULLEY                   |
| 145610          | PULLEY ASSEMBLY                    | 4561A30001F | 4561A30001F | 4561A30001F | BLOWER PULLEY                     |
| 152302          | FILTER(MECH),A/C                   | 5230A20003A | 5230A20003A | 5230A20003A |                                   |
| 152302          | FILTER(MECH),A/C                   | 5230A20003C | 5230A20003C | 5230A20003C |                                   |
| 249950          | CONTROL BOX ASSEMBLY,SINGLE        | 4995A10009A | 4995A10009A | 4995A10009B |                                   |
| 261704          | TRANSFORMER,POWER                  | 6171AQ2138D | 6171AQ2138D | 6171AQ2138D | AC220V 50HZ AC24V/DC15V           |
| 263230          | THERMISTOR ASSEMBLY                | 6323AQ2333W | 6323AQ2333W | 6323AQ2333W |                                   |
| 267110          | REMOTE CONTROLLER ASSEMBLY         | 6711A20043B | 6711A20043B | 6711A20043B |                                   |
| 268714          | PWB(PCB) ASSY,MAIN                 | 6871A20085K | 6871A20085K | 6871A20085K |                                   |
| 330870          | DRAIN PAN ASSEMBLY                 | 3087A20002B | 3087A20002B | 3087A20002B |                                   |
| 342800          | BEARING                            | 4A00131A    | 4A00131A    | 4A00131A    | PAC-ALL GGPP GAC-080 KSB2046      |
| 346810          | MOTOR ASSEMBLY,INDOOR              | 4681A20018B | 4681A20018B | 4681A20018B |                                   |
| 349600          | BRACKET ASSEMBLY                   | 4811A30006A | 4811A30006A | 4811A30006A |                                   |
| 359012          | FAN,SIDE                           | 5835A20001A | 5835A20001A | 5835A20001A | OD320                             |
| 435312          | GRILLE ASSEMBLY,DISCHARGE(OUTDOOR) | 2A00144G    | 2A00144G    | 2A00144G    |                                   |
| 546810          | MOTOR ASSEMBLY,OUTDOOR             | 4681A20026D | 4681A20026D | 4681A20026D |                                   |
| 548490          | ACCUMULATOR ASSY(MECH)             | 4849A20001D | 4849A20001D | 4849A20001D |                                   |
| 549610          | MOUNT ASSEMBLY,MOTOR(OUTDOOR)      | 4961A20032A | 4961A20032A | 4961A20032A |                                   |
| 552111          | TUBE ASSY,DISTRIBUTOR              | 5211A20194A | 5211A20194A | 5211A20194A |                                   |
| 552201          | VALVE,CHECK                        | 3A01020D    | 3A01020D    | 3A01020D    | VN30100(RANCO)                    |
| 552202          | VALVE,REVERSING                    | 5220AP3777A | 5220AP3777A | 5220AP3777A | VH60100 RANCO                     |
| 554031          | CONDENSER ASSEMBLY,BENT            | 5403A20016Z | 5403A20016J | 5403A20016J |                                   |
| 554160          | COMPRESSOR ASSEMBLY                | 5417A20007F | 5417A20007F | 5417A20007F | BRISTOL 380-415V 50HZ H25G104DBVE |
| 559010          | FAN ASSEMBLY,PROPELLER             | 5901A20004A | 5901A20004A | 5901A20004A |                                   |
| 561410          | COIL ASSEMBLY,REVERSING VALVE      | 3A02028B    | 3A02028B    | 3A02028B    | LB64012 RANCO AC220-240V          |
| 566001          | SWITCH,MAGNET                      | 6600B000041 | 6600B000041 | 6600B000041 | GMC-32 LGIS 200-240V 32A 3P       |
| 738281          | MANUAL,SERVICE                     | 3828A30027F | 3828A30027F | 3828A30027F |                                   |
| W0CZZ           | CAPACITOR,DRAWING                  | 0CZZA20001E | 0CZZA20001E | 0CZZA20001E | 20UF 450V                         |
| W4400           | BELT,V                             | 4400A30001P | 4400A30001P | 4400A30001P | 48A                               |
| W6920           | RELAY                              | 6920AP3400A | 6920AP3400A | 6920AP3400A | G7L-2A-TUV OMRON 250VAC 25A       |

### • Accessory or Option Parts List

| Location Number | Parts Name.     | Part Number   |             | Remarks         |
|-----------------|-----------------|---------------|-------------|-----------------|
|                 |                 | LK-0880BH(S1) | LK-0880HH   |                 |
| 566000          | SWITCH,PRESSURE | 6600A20004E   | 6600A20004E | HI-PRESSURE S/W |

### 3. LK-1080AH/1080BH/1080CH/1080HH

#### • Exploded View



## • Replacement Parts List

| Location Number | Parts Name.                    | Part Number |             | Remarks                       |
|-----------------|--------------------------------|-------------|-------------|-------------------------------|
|                 |                                | LK-1080AH   | LK-1080CH   |                               |
| 145610          | PULLEY ASSEMBLY                | 3A00217R    | 3A00217R    |                               |
| 145610          | PULLEY ASSEMBLY                | 4561A30002B | 4561A30002B |                               |
| 152302          | FILTER(MECH),A/C               | 5230A20003D | 5230A20003D |                               |
| 249950          | CONTROL BOX ASSEMBLY,SINGLE    | 4995A10012B | 4995A10012B |                               |
| 261704          | TRANSFORMER,POWER              | 6171AQ2138D | 6171AQ2138D | AC220V 50HZ AC24V/DC15V 0.45A |
| 263230          | THERMISTOR ASSEMBLY            | 6323AQ2333T | 6323AQ2333T |                               |
| 263230          | THERMISTOR ASSEMBLY            | 6323AQ2333U | 6323AQ2333U |                               |
| 267110          | REMOTE CONTROLLER ASSEMBLY     | 6711A20043A | 6711A20043A |                               |
| 268714          | PWB(PCB) ASSY,MAIN             | 6871A20085H | 6871A20085H |                               |
| 330870          | DRAIN PAN ASSEMBLY             | 3087A20004B | 3087A20004B |                               |
| 342800          | BEARING                        | 4A00131A    | 4A00131A    |                               |
| 346810          | MOTOR ASSEMBLY,INDOOR          | 4681A20025C | 4681A20025C |                               |
| 349600          | BRACKET ASSY                   | 4811A10003A | 4811A10003A |                               |
| 359012          | FAN ASSEMBLY,BLOWER            | 5835A20003A | 5835A20003A | 382(D) 280 53(N)              |
| 435312          | GRILLE ASSY,DISCHARGE(OUTDOOR) | 2A00144Q    | 2A00144Q    |                               |
| 546810          | MOTOR ASSEMBLY,OUTDOOR         | 4681A20026D | 4681A20026D |                               |
| 549610          | MOUNT ASSEMBLY,MOTOR(OUTDOOR)  | 4961A20031A | 4961A20031A |                               |
| 552111          | TUBE ASSY,CAPILLARY            | 5211A20233A | 5211A20233A |                               |
| 552111          | TUBE ASSY,CAPILLARY            | 5211A20233G | 5211A20233G |                               |
| 554031          | CONDENSER ASSEMBLY,BENT        | 5403A10003M | 5403A10003F |                               |
| 554031          | CONDENSER ASSEMBLY,BENT        | 5403A10004M | 5403A10003H |                               |
| 554031          | CONDENSER ASSEMBLY,BENT        | 5403A20079S | 5403A10004F |                               |
| 554031          | CONDENSER ASSEMBLY,BENT        | 5403A20079U | 5403A10004H |                               |
| 554160          | COMPRESSOR                     | 5417A20008G | 5417A20008G | BRISTOL H26A72QDBEA           |
| 559010          | FAN ASSEMBLY,PROPELLER         | 5901A20004G | 5901A20004G |                               |
| 566000          | SWITCH,PRESSURE                | 6600A20004C | 6600A20004C | LCB-DA59                      |
| 566001          | SWITCH,MAGNET                  | 6600B000041 | 6600B000041 | GMC-32 LGIS 200-240V 32A 3P   |
| 738281          | MANUAL,SERVICE                 | 3828A30027F | 3828A30027F |                               |
| W0CZZ           | CAPACITOR,DRAWING              | 0CZZA20001E | 0CZZA20001E | 20UF 450V 50HZ                |
| W4400           | BELT,V                         | 4400A30002G | 4400A30002G | REC-B54                       |
| W6920           | RELAY                          | 6920AP3400A | 6920AP3400A | G7L-2A-TUV OMRON              |

## • Accessory or Option Parts List

| Location Number | Parts Name.     | Part Number |             | Remarks         |
|-----------------|-----------------|-------------|-------------|-----------------|
|                 |                 | LK-1080AH   | LK-1080CH   |                 |
| 566000          | SWITCH,PRESSURE | 6600A20004E | 6600A20004E | HI-PRESSURE S/W |



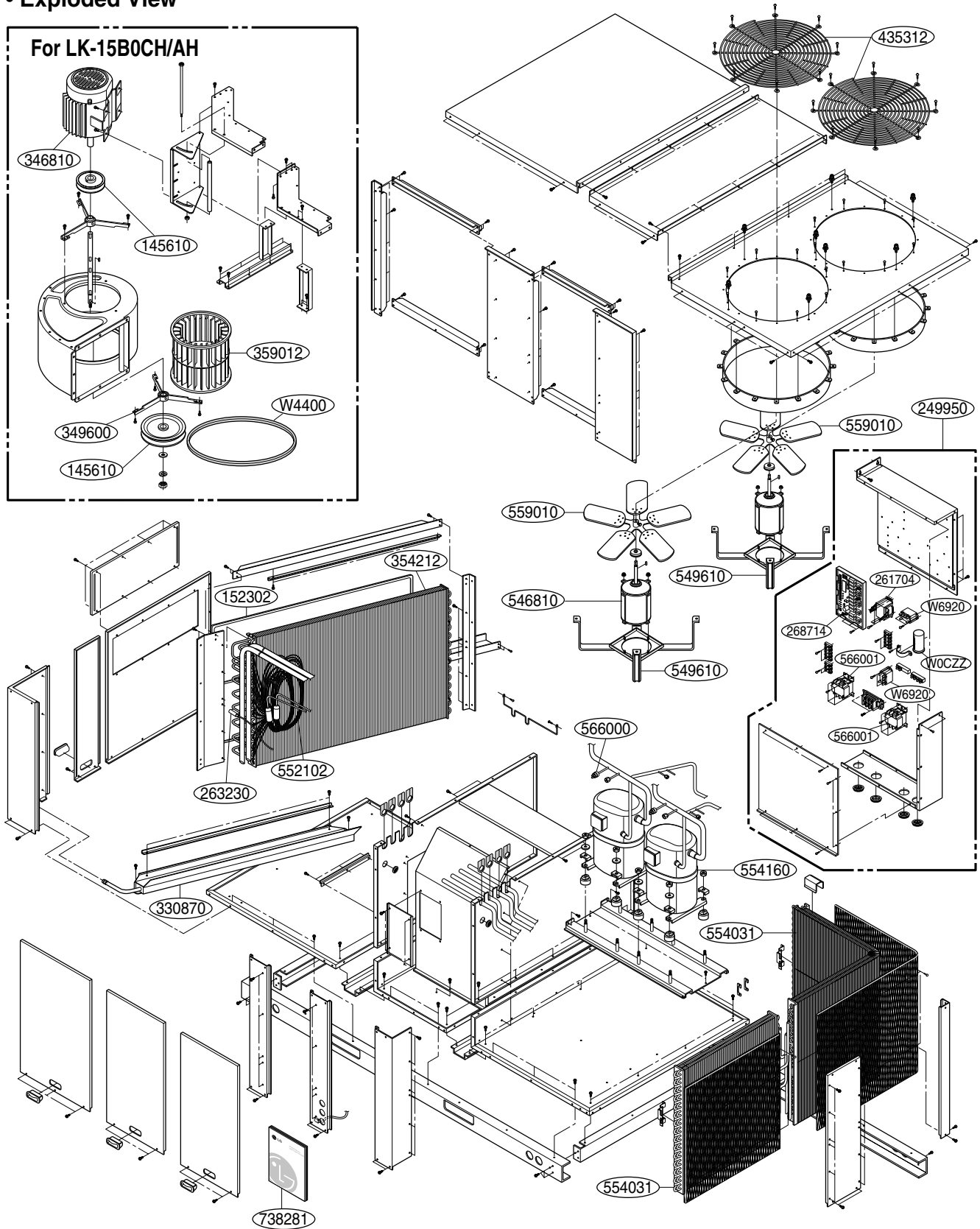
## Heat Pump

### • Replacement Parts List

| Location Number | Parts Name.                    | Part Number |             | Remarks                     |
|-----------------|--------------------------------|-------------|-------------|-----------------------------|
|                 |                                | LK-1080BH   | LK-1080HH   |                             |
| 145610          | PULLEY ASSEMBLY                | 3A00217R    | 3A00217R    |                             |
| 145610          | PULLEY ASSEMBLY                | 4561A30002B | 4561A30002B |                             |
| 152302          | FILTER(MECH),A/C               | 5230A20003D | 5230A20003D |                             |
| 249950          | CONTROL BOX ASSEMBLY,SINGLE    | 4995A10012A | 4995A10012A |                             |
| 261704          | TRANSFORMER,POWER              | 6171AQ2138D | 6171AQ2138D | AC220V 50HZ AC24V           |
| 263230          | THERMISTOR ASSEMBLY            | 6323AQ2333W | 6323AQ2333W |                             |
| 263230          | THERMISTOR ASSEMBLY            | 6323AQ2333X | 6323AQ2333X |                             |
| 267110          | REMOTE CONTROLLER ASSEMBLY     | 6711A20043B | 6711A20043B |                             |
| 268714          | PWB(PCB) ASSEMBLY,MAIN         | 6871A20085L | 6871A20085L |                             |
| 330870          | DRAIN PAN ASSEMBLY             | 3087A20004B | 3087A20004B |                             |
| 342800          | BEARING                        | 4A00131A    | 4A00131A    | KSB2046                     |
| 346810          | MOTOR ASSEMBLY,INDOOR          | 4681A20025C | 4681A20025C |                             |
| 349600          | BRACKET ASSY                   | 4811A10003A | 4811A10003A |                             |
| 359012          | FAN ASSEMBLY,BLOWER            | 5835A20003A | 5835A20003A |                             |
| 435312          | GRILLE ASSY,DISCHARGE(OUTDOOR) | 2A00144Q    | 2A00144Q    |                             |
| 546810          | MOTOR ASSEMBLY,OUTDOOR         | 4681A20026D | 4681A20026D |                             |
| 548490          | ACCUMULATOR ASSY(MECH)         | 4849A20001F | 4849A20001F |                             |
| 549610          | MOUNT ASSEMBLY,MOTOR(OUTDOOR)  | 4961A20031A | 4961A20031A |                             |
| 552111          | TUBE ASSY,DISTRIBUTOR          | 5211A20194B | 5211A20194B |                             |
| 552111          | TUBE ASSY,DISTRIBUTOR          | 5211A20194C | 5211A20194C |                             |
| 552111          | TUBE ASSY,CAPILLARY            | 5211A20233A | 5211A20233A |                             |
| 552111          | TUBE ASSY,CAPILLARY            | 5211A20233G | 5211A20233G |                             |
| 552201          | VALVE,CHECK                    | 3A01020D    | 3A01020D    | VN30100(RANCO)              |
| 554031          | CONDENSER ASSEMBLY,BENT        | 5403A20079S | 5403A10003B |                             |
| 554031          | CONDENSER ASSEMBLY,BENT        | 5403A20079T | 5403A10003D |                             |
| 554031          | CONDENSER ASSEMBLY,BENT        | 5403A20079U | 5403A10004B |                             |
| 554031          | CONDENSER ASSEMBLY,BENT        | 5403A20079V | 5403A10004D |                             |
| 554160          | COMPRESSOR                     | 5417A20008G | 5417A20008G | BRISTOL H26A72QDBEA         |
| 559010          | FAN ASSEMBLY,PROPELLER         | 5901A20004G | 5901A20004G |                             |
| 561410          | COIL ASSEMBLY,REVERSING VALVE  | 3A02028B    | 3A02028B    | RANCO AC220-240V            |
| 561410          | COIL ASSEMBLY,SOLENOID         | 6421A90001D | 6421A90001D | LD24513 RANCO 220-240V      |
| 566001          | SWITCH,MAGNET                  | 6600B000041 | 6600B000041 | GMC-32 LGIS 200-240V 32A 3P |
| 738281          | MANUAL,SERVICE                 | 3828A30027F | 3828A30027F |                             |
| W0CZZ           | CAPACITOR,DRAWING              | 0CZZA20001E | 0CZZA20001E | 20UF 450V                   |
| W4400           | BELT,V                         | 4400A30002G | 4400A30002G | REC-B54                     |
| W6920           | RELAY                          | 6920AP3400A | 6920AP3400A | G7L-2A-TUV OMRON            |

# 4. LK-1580AH/1580BH/1580CH/1580HH/LK-1580AHS1

## • Exploded View



## • Replacement Parts List

| Location Number | Parts Name.                        | Part Number           |             | Remarks                     |
|-----------------|------------------------------------|-----------------------|-------------|-----------------------------|
|                 |                                    | LK-1580AH/LK-1580AHS1 | LK-1580CH   |                             |
| 145610          | PULLEY ASSEMBLY                    | 3A00217R              | 3A00217R    | VARIABLE                    |
| 145610          | PULLEY ASSEMBLY                    | 4561A30002A           | 4561A30002A | FIXED                       |
| 152302          | FILTER(MECH),A/C                   | 5230A20003F           | 5230A20003F |                             |
| 249950          | CONTROL BOX ASSEMBLY,SINGLE        | -                     | 4995A10007D | WITH OUT E.O.C.R            |
|                 |                                    | 4995A10007K           | -           | WITH E.O.C.R                |
| 261704          | TRANSFORMER,POWER                  | 6171AQ2138D           | 6171AQ2138D | AC220V 50HZ AC24V           |
| 263230          | THERMISTOR ASSEMBLY                | 6323AQ2333T           | 6323AQ2333T |                             |
| 263230          | THERMISTOR ASSEMBLY                | 6323AQ2333U           | 6323AQ2333U |                             |
| 263230          | THERMISTOR ASSEMBLY                | 6323AQ3214H           | 6323AQ3214H |                             |
| 267110          | REMOTE CONTROLLER ASSEMBLY         | 6711A20043A           | 6711A20043A |                             |
| 268714          | PWB(PCB) ASSY,MAIN                 | 6871A20085J           | 6871A20085J |                             |
| 330870          | DRAIN PAN ASSEMBLY                 | 3087A20004F           | 3087A20004F |                             |
| 342800          | BEARING                            | 4A00131A              | 4A00131A    | KSB2046                     |
| 346810          | MOTOR ASSEMBLY,INDOOR              | 4681A20025D           | 4681A20025D |                             |
| 349600          | BRACKET ASSY                       | 4811A10003A           | 4811A10003A |                             |
| 354210          | EVAPORATOR ASSEMBLY,FIRST          | 5421A20035E           | 5421A20035E |                             |
| 359012          | FAN ASSEMBLY,BLOWER                | 5835A20003B           | 5835A20003B |                             |
| 435312          | GRILLE ASSEMBLY,DISCHARGE(OUTDOOR) | 2A00144J              | 2A00144J    |                             |
| 546810          | MOTOR ASSEMBLY,OUTDOOR             | 4681A20019C           | 4681A20019C |                             |
| 546810          | MOTOR ASSEMBLY,OUTDOOR             | 4681A20019E           | 4681A20019E |                             |
| 549610          | MOUNT ASSEMBLY,MOTOR(OUTDOOR)      | 4961A20029A           | 4961A20029A |                             |
| 552111          | TUBE ASSY,CAPILLARY                | 5211A20233R           | 5211A20233R |                             |
| 554031          | CONDENSER ASSEMBLY,FIRST           | 5403A20078X           | 5403A20023N |                             |
| 554031          | CONDENSER ASSEMBLY,BENT            | 5403A20079R           | 5403A20023Q |                             |
| 554160          | COMPRESSOR ASSEMBLY                | 5417A20007F           | 5417A20007F | BRISTOL H25G104DBVE         |
| 559010          | FAN ASSEMBLY,PROPELLER             | 1A00284A              | 1A00284A    |                             |
| 566000          | SWITCH,PRESSURE                    | 6600A20004C           | 6600A20004C | LCB-DA59 SAGINOMIYA         |
| 566001          | SWITCH,MAGNET                      | 6600B000041           | 6600B000041 | GMC-32 LGIS 200-240V 32A 3P |
| W4400           | BELT,V                             | 4400A30002G           | 4400A30002G | REC-B54                     |
| W6920           | RELAY                              | 6920AP3400A           | 6920AP3400A | G7L-2A-TUV OMRON            |

## • Accessory or Option Parts List

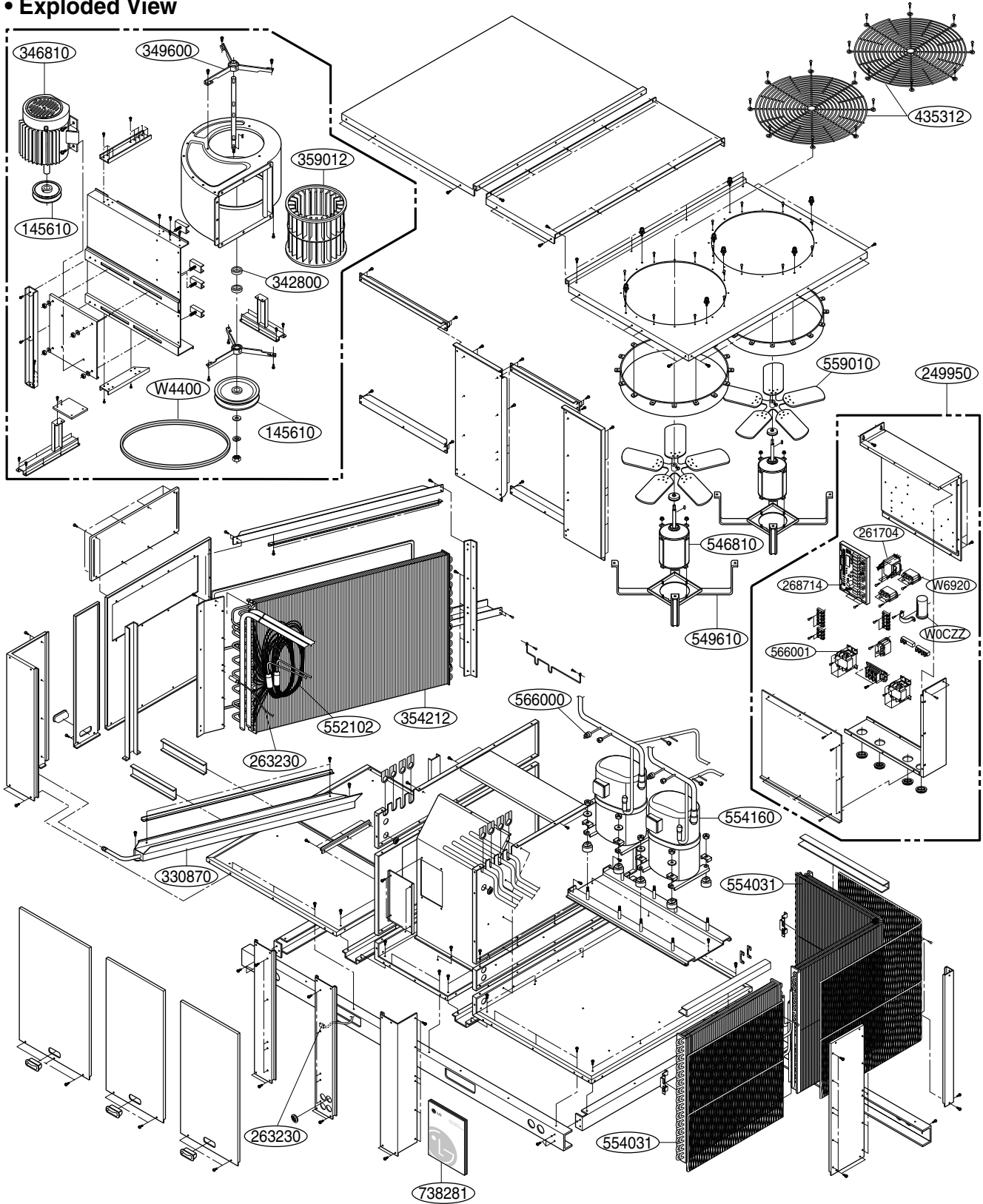
| Location Number | Parts Name.     | Part Number |             | Remarks                 |
|-----------------|-----------------|-------------|-------------|-------------------------|
|                 |                 | LK-1580AH   | LK-1580CH   |                         |
| 566000          | SWITCH,PRESSURE | 6600A20004E | 6600A20004E | HI-PRESSURE S/W         |
| W6920           | RELAY           | 2A00999J    | -           | PHASE FAILURE PROTECTOR |
| 558511          | DRIER ASSEMBLY  | -           | -           |                         |

## • Replacement Parts List

| Location Number | Parts Name.                        | Part Number |             | Remarks                     |
|-----------------|------------------------------------|-------------|-------------|-----------------------------|
|                 |                                    | LK-1580BH   | LK-1580HH   |                             |
| 145610          | PULLEY ASSEMBLY                    | 3A00217R    | 3A00217R    | VARIABLE                    |
| 145610          | PULLEY ASSEMBLY                    | 4561A30002A | 4561A30002A | FIXED                       |
| 152302          | FILTER(MECH),A/C                   | 5230A20003F | 5230A20003F |                             |
| 249950          | CONTROL BOX ASSEMBLY,SINGLE        | 4995A10007E | 4995A10007E |                             |
| 261704          | TRANSFORMER,POWER                  | 6171AQ2138D | 6171AQ2138D | AC220V 50HZ AC24V           |
| 263230          | THERMISTOR ASSEMBLY                | 6323AQ2333W | 6323AQ2333W |                             |
| 263230          | THERMISTOR ASSEMBLY                | 6323AQ2333X | 6323AQ2333X |                             |
| 263230          | THERMISTOR ASSEMBLY                | 6323AQ3214H | 6323AQ3214H |                             |
| 267110          | REMOTE CONTROLLER ASSEMBLY         | 6711A20043B | 6711A20043B |                             |
| 268714          | PWB(PCB) ASSEMBLY,MAIN             | 6871A20085M | 6871A20085M |                             |
| 330870          | DRAIN PAN ASSEMBLY                 | 3087A20004F | 3087A20004F |                             |
| 342800          | BEARING                            | 4A00131A    | 4A00131A    | KSB2046                     |
| 346810          | MOTOR ASSEMBLY,INDOOR              | 4681A20025D | 4681A20025D |                             |
| 349600          | BRACKET ASSY                       | 4811A10003A | 4811A10003A |                             |
| 354210          | EVAPORATOR ASSEMBLY,FIRST          | 5421A20035E | 5421A20035E |                             |
| 359012          | FAN ASSEMBLY,BLOWER                | 5835A20003B | 5835A20003B | 382(D) 380 53(N)            |
| 435312          | GRILLE ASSEMBLY,DISCHARGE(OUTDOOR) | 2A00144G    | 2A00144G    |                             |
| 546810          | MOTOR ASSEMBLY,OUTDOOR             | 4681A20026D | 4681A20026D |                             |
| 546810          | MOTOR ASSEMBLY,OUTDOOR             | 4681A20026E | 4681A20026E |                             |
| 548490          | ACCUMULATOR ASSY(MECH)             | 4849A20001D | 4849A20001D |                             |
| 549610          | MOUNT ASSEMBLY,MOTOR(OUTDOOR)      | 4961A20032A | 4961A20032A |                             |
| 552111          | TUBE ASSY,DISTRIBUTOR              | 5211A20194D | 5211A20194D |                             |
| 552111          | TUBE ASSY,DISTRIBUTOR              | 5211A20194E | 5211A20194E |                             |
| 552111          | TUBE ASSY,CAPILLARY                | 5211A20233S | 5211A20233S |                             |
| 552111          | TUBE ASSY,CAPILLARY                | 5211A20233T | 5211A20233T |                             |
| 552201          | VALVE,CHECK                        | 3A01020D    | 3A01020D    | VN30100(RANCO)              |
| 552202          | VALVE,REVERSING                    | 5220AP3777A | 5220AP3777A | VH60100 RANCO               |
| 554031          | CONDENSER ASSEMBLY,FIRST           | 5403A20078N | 5403A20023R |                             |
| 554031          | CONDENSER ASSEMBLY,FIRST           | 5403A20078Q | 5403A20023T |                             |
| 554031          | CONDENSER ASSEMBLY,BENT            | 5403A20079P | 5403A20023U |                             |
| 554031          | CONDENSER ASSEMBLY,BENT            | 5403A20079Q | 5403A20023W |                             |
| 554160          | COMPRESSOR ASSEMBLY                | 5417A20007F | 5417A20007F | BRISTOL H25G104DBVE         |
| 559010          | FAN ASSEMBLY,PROPELLER             | 5901A20004A | 5901A20004A |                             |
| 561410          | COIL ASSEMBLY,REVERSING VALVE      | 3A02028B    | 3A02028B    | LB64012 RANCO               |
| 561410          | COIL ASSEMBLY,SOLENOID             | 6421A90001D | 6421A90001D | LD24513 RANCO               |
| 566001          | SWITCH,MAGNET                      | 6600B000041 | 6600B000041 | GMC-32 LGIS 200-240V 32A 3P |
| 738281          | MANUAL,SERVICE                     | 3828A30027F | 3828A30027F |                             |
| W0CZZ           | CAPACITOR,DRAWING                  | 0CZZA20001E | 0CZZA20001E | 20UF 450V                   |
| W4400           | BELT,V                             | 4400A30002G | 4400A30002G | REC-B54                     |
| W6920           | RELAY                              | 6920AP3400A | 6920AP3400A | G7L-2A-TUV OMRON            |

# 5. LK-2080AH/2080CH

## • Exploded View



## • Replacement Parts List

| Location Number | Parts Name.                        | Part Number |             | Remarks             |
|-----------------|------------------------------------|-------------|-------------|---------------------|
|                 |                                    | LK-2080AH   | LK-2080CH   |                     |
| 145610          | PULLEY ASSY                        | 3A00217S    | 3A00217S    | VARIABLE            |
| 145610          | PULLEY ASSY                        | 4561A30003C | 4561A30003C | FIXED               |
| 152302          | FILTER(MECH),A/C                   | 5230A20003H | 5230A20003H |                     |
| 249950          | CONTROL BOX ASSEMBLY,SINGLE        | 4995A10022A | 4995A10022A | WITH OUT E.O.C.R    |
|                 |                                    | 4995A10022C | -           | WITH E.O.C.R        |
| 261704          | TRANSFORMER,POWER                  | 6171AQ2138E | 6171AQ2138E |                     |
| 263230          | THERMISTOR ASSEMBLY                | 6323AQ2333T | 6323AQ2333T |                     |
| 263230          | THERMISTOR ASSEMBLY                | 6323AQ2333U | 6323AQ2333U |                     |
| 263230          | THERMISTOR ASSEMBLY                | 6323AQ3214H | 6323AQ3214H |                     |
| 267110          | REMOTE CONTROLLER ASSEMBLY         | 6711A20043A | 6711A20043A |                     |
| 268714          | PWB(PCB) ASSY,MAIN                 | 6871A20085J | 6871A20085J |                     |
| 330870          | DRAIN PAN ASSEMBLY                 | 3087A20006D | 3087A20006D |                     |
| 342800          | BEARING                            | 4A00131B    | 4A00131B    | UC 206              |
| 346810          | MOTOR ASSEMBLY,INDOOR              | 4681A20093D | 4681A20093D |                     |
| 349600          | BRACKET ASSY                       | 4811A10001A | 4811A10001A |                     |
| 354210          | EVAPORATOR ASSEMBLY,FIRST          | 5421A20035C | 5421A20035C |                     |
| 359012          | FAN ASSEMBLY,BLOWER                | 5835A20003D | 5835A20003D | 450(D) 454 60(N)    |
| 435312          | GRILLE ASSEMBLY,DISCHARGE(OUTDOOR) | 2A00144G    | 2A00144G    |                     |
| 546810          | MOTOR ASSEMBLY,OUTDOOR             | 4681A20026D | 4681A20026D |                     |
| 546810          | MOTOR ASSEMBLY,OUTDOOR             | 4681A20026E | 4681A20026E |                     |
| 549610          | MOUNT ASSEMBLY,MOTOR(OUTDOOR)      | 4961A20032A | 4961A20032A |                     |
| 552111          | TUBE ASSY,CAPILLARY                | 5211A20233W | 5211A20233W |                     |
| 554031          | CONDENSER ASSEMBLY,FIRST           | 5403A20078G | 5403A20023G |                     |
| 554031          | CONDENSER ASSEMBLY,BENT            | 5403A20079D | 5403A20023J |                     |
| 554160          | COMPRESSOR ASSEMBLY                | 5417A20007G | 5417A20007G |                     |
| 559010          | FAN ASSEMBLY,PROPELLER             | 5901A20004A | 5901A20004A |                     |
| 566000          | SWITCH,PRESSURE                    | 6600A20004C | 6600A20004C | LCB-DA59 SAGINOMIYA |
| 566001          | SWITCH,MAGNET                      | 2A01031L    | 2A01031L    | 42CF35AG FURNAS     |
| 738281          | MANUAL,SERVICE                     | 3828A30027F | 3828A30027F |                     |
| W0CZZ           | CAPACITOR,DRAWING                  | 0CZZA20001E | 0CZZA20001E | 20UF 450V 50HZ      |
| W4400           | BELT,V                             | 4400A30002J | 4400A30002J |                     |
| W6920           | RELAY                              | 6920AP3400A | 6920AP3400A | G7L-2A-TUV OMRON    |

## • Accessory or Option Parts List

| Location Number | Parts Name.     | Part Number |             | Remarks                 |
|-----------------|-----------------|-------------|-------------|-------------------------|
|                 |                 | LK-2080AH   | LK-2080CH   |                         |
| 566000          | SWITCH,PRESSURE | 6600A20004E | 6600A20004E | HI-PRESSURE S/W         |
| W6920           | RELAY           | 2A00999G    | -           | PHASE FAILURE PROTECTOR |
| 558511          | DRIER ASSEMBLY  | 5851A20004B | -           |                         |

# Specification of Components

|                       |                | LK-0580HC/BC      | LK-0580AC/CC         | LK-0880HH/BH               | LK-0880BHS1                | LK-0880AH/CH               |
|-----------------------|----------------|-------------------|----------------------|----------------------------|----------------------------|----------------------------|
| COMP                  | P/No           | 5417A20008G       | 5417A20008G          | 5417A20007F                | 5417A20007F                | 5417A20007F                |
|                       | Model name     | H26A72QDBEA       | H26A72QDBEA          | H25G104DBVE                | H25G104DBVE                | H25G104DBVE                |
|                       | *RLA (A)       | 9.2               | 9.2                  | 14.5                       | 14.5                       | 14.5                       |
|                       | **LRA (A)      | 79                | 79                   | 115                        | 115                        | 115                        |
|                       | Q'ty           | 1                 | 1                    | 1                          | 1                          | 1                          |
| INDOOR MOTOR          | P/No           | 4681A20022F       | 4681A20022F          | 4681A20018B                | 4681A20018B                | 4681A20018B                |
|                       | Output         | 0.5 (Hp)          | 0.5(Hp)              | 1.5(Hp)                    | 1.5(Hp)                    | 1.5(Hp)                    |
|                       | Shaft Dia      | 15 (mm)           | 15 (mm)              | 22 (mm)                    | 22 (mm)                    | 22 (mm)                    |
|                       | RPM            | 950               | 950                  | 1450                       | 1450                       | 1450                       |
| OUTDOOR MOTOR         | P/No           | 4681A20008Z       | 4681A20008Z          | 4681A20026D                | 4681A20026D                | 4681A20019C                |
|                       | Output         | 0.15              | 0.15                 | 0.5                        | 0.5                        | 0.5                        |
|                       | Shaft Dia      | 12 (mm)           | 12 (mm)              | 19 (mm)                    | 19 (mm)                    | 15 (mm)                    |
|                       | RPM            | 930               | 930                  | 950                        | 950                        | 950                        |
|                       | Q'ty           | 2                 | 2                    | 1                          | 1                          | 1                          |
| OUTDOOR FAN           | P/No           | 1A00195B          | 1A00195B             | 5901A20004A                | 5901A20004A                | 1A00284A                   |
|                       | Diameter       | O.D 460 (mm)      | O.D 460 (mm)         | O.D 660 (mm)               | O.D 660 (mm)               | O.D 600 (mm)               |
| INDOOR BLOWER         | P/No           | 2A00578M          | 2A00578M             | 5835A20001A                | 5835A20001A                | 5835A20001A                |
|                       | Diameter*width | 270*270 (mm)      | 270*270 (mm)         | 320*320 (mm)               | 320*320 (mm)               | 320*320 (mm)               |
| MOTOR PULLY           | P/No           | -                 | -                    | 3A00217R                   | 3A00217R                   | 3A00217R                   |
|                       | Type           | -                 | -                    | VARIABLE                   | VARIABLE                   | VARIABLE                   |
| BLOWER PULLY          | P/No           | -                 | -                    | 4561A30001F                | 4561A30001F                | 4561A30001F                |
|                       | Type           | -                 | -                    | "A" TYPE                   | "A" TYPE                   | "A" TYPE                   |
|                       | Outside Dia.   | -                 | -                    | 149 (mm)                   | 149 (mm)                   | 149 (mm)                   |
| V-VELT                | P/No           | -                 | -                    | 4400A30001P                | 4400A30001P                | 4400A30001P                |
|                       | Type           | -                 | -                    | "A" TYPE                   | "A" TYPE                   | "A" TYPE                   |
|                       | Length         | -                 | -                    | 48 (inch)                  | 48 (inch)                  | 48 (inch)                  |
| LOWER PRESSURE SWITCH | P/No           | -                 | 6600A20004C          | -                          | -                          | 6600A20004C                |
|                       | Spec.          | -                 | OFF:2.0kgf/ON:3.5kgf | -                          | -                          | OFF:2.0kgf/ON:3.5kgf       |
|                       | Rated Voltage  | -                 | DC 24V               | -                          | -                          | DC 24V                     |
|                       | Maker          | -                 | SAGINOMIYA           | -                          | -                          | SAGINOMIYA                 |
| CAPACITOR for COMP    | P/No           | -                 | -                    | -                          | -                          | -                          |
|                       | Spec.          | -                 | -                    | -                          | -                          | -                          |
| CAPACITOR for ***IDM  | P/No           | 0CZZA20001C       | 0CZZA20001C          | -                          | -                          | -                          |
|                       | Spec.          | 12μF/450V         | 12μF/450V            | -                          | -                          | -                          |
| CAPACITOR for ****ODM | P/No           | 2H00841J          | 2H00841J             | 0CZZA20001E                | 0CZZA20001E                | -                          |
|                       | Spec.          | 6μF/370V          | 6μF/370V             | 20μF/450V                  | 20μF/450V                  | -                          |
| FILTER                | P/No           | -                 | -                    | 5230A20003A<br>5230A20003C | 5230A20003A<br>5230A20003C | 5230A20003A<br>5230A20003C |
|                       | Size           | -                 | -                    | 668*742(mm)<br>668*500(mm) | 668*742(mm)<br>668*500(mm) | 668*742(mm)<br>668*500(mm) |
|                       | Q'ty           | -                 | -                    | 2                          | 2                          | 2                          |
| TRANSFORMER           | P/No           | 6171AQ2138E       | 6171AQ2138E          | 6171AQ2138D                | 6171AQ2138D                | 6171AQ2138D                |
|                       | Spec.          | AC 220V,450mA     | AC 220V,450mA        | AC 220V,450mA              | AC 220V,450mA              | AC 220V,450mA              |
| CONTACTOR for COMP.   | P/No           | 2A01031A          | 2A01031A             | 2A01031A                   | 2A01031A                   | 2A01031A                   |
|                       | Spec.          | 30A, 220V CONTROL | 30A, 220V CONTROL    | 30A, 220V CONTROL          | 30A, 220V CONTROL          | 30A, 220V CONTROL          |
| RELAY for IDM         | P/No           | 6920AP3400A       | 6920AP3400A          | 6920AP3400A                | 6920AP3400A                | 6920AP3400A                |
|                       | Spec.          | 220V,25A          | 220V,25A             | 220V,25A                   | 220V,25A                   | 220V,25A                   |
| RELAY for ODM         | P/No           | 6920AP3400A       | 6920AP3400A          | 6920AP3400A                | 6920AP3400A                | 6920AP3400A                |
|                       | Spec.          | 220V,25A          | 220V,25A             | 220V,25A                   | 220V,25A                   | 220V,25A                   |

\*RLA: RATED LOAD AMPER, \*\*LRA: LOCK LOAD AMPER, \*\*\*IDM: INDOOR MOTOR, \*\*\*\*ODM:OUTDOOR MOTOR

|                       |                | LK-1080HH/BH      | LK-1080AH/CH                      | LK-1580HH/BH<br>LK-1580AHS1                     | LK-1580AH/CH               | LK-2080AH/CH               |
|-----------------------|----------------|-------------------|-----------------------------------|---|----------------------------|----------------------------|
| COMP                  | P/No           | 5417A20008G       | 5417A20008G                       | 5417A20007F                                     | 5417A20007F                | 5417A20007G                |
|                       | Model name     | H26A72QDBEA       | H26A72QDBEA                       | H25G104DBVE                                     | H26A72QDBEA                | H25G144DBEE                |
|                       | *RLA (A)       | 9.2               | 9.2                               | 14.5  | 14.5                       | 21.6                       |
|                       | **LRA (A)      | 79                | 79                                | 115   | 115                        | 126                        |
|                       | Q'ty           | 2                 | 2                                 | 2   | 2                          | 2                          |
| INDOOR MOTOR          | P/No           | 4681A20025C       | 4681A20025C                       | 4681A20025D                                     | 681A20025D                 | 4681A20031D                |
|                       | Output         | 3 (Hp)            | 3 (Hp)                            | 4 (Hp)  | 4 (Hp)                     | 5 (Hp)                     |
|                       | Shaft Dia      | 22 (mm)           | 22 (mm)                           | 22 (mm)   | 22 (mm)                    | 28 (mm)                    |
|                       | RPM            | 1500              | 1500                              | 1500  | 1500                       | 3000                       |
| OUTDOOR MOTOR         | P/No           | 4681A20026D       | 4681A20026D                       | 4681A20026D<br>4681A20026E                      | 4681A20019C<br>4681A20019E | 4681A20026D<br>4681A20026E |
|                       | Output         | 1.3               | 1.3                               | 1.3   | 0.5                        | 1.3                        |
|                       | Shaft Dia      | 19 (mm)           | 19 (mm)                           | 19 (mm)   | 15 (mm)                    | 19 (mm)                    |
|                       | RPM            | 950               | 950                               | 950   | 950                        | 950                        |
|                       | Q'ty           | 1                 | 1                                 | 1/1   | 1/1                        | 1/1                        |
| OUTDOOR FAN           | P/No           | 5901A20004G       | 5901A20004G                       | 5901A20004A                                     | 1A00284A                   | 5901A20004A                |
|                       | Diameter       | O.D 690 (mm)      | O.D 690 (mm)                      | O.D 660 (mm)                                    | O.D 600 (mm)               | O.D 660 (mm)               |
| INDOOR BLOWER         | P/No           | 5835A20003A       | 5835A20003A                       | 5835A20003B                                     | 5835A20003B                | 5835A20003D                |
|                       | Diameter*width | 380*280 (mm)      | 380*280 (mm)                      | 380*380 (mm)                                    | 380*380 (mm)               | 450*454 (mm)               |
| MOTOR PULLY           | P/No           | 3A00217R          | 3A00217R                          | 3A00217R  | 3A00217R                   | 3A00217S                   |
|                       | Type           | VARIABLE          | VARIABLE                          | VARIABLE  | VARIABLE                   | VARIABLE                   |
| BLOWER PULLY          | P/No           | 4561A30002B       | 4561A30002B                       | 4561A30002A                                     | 4561A30002A                | 4561A30003C                |
|                       | Type           | "REC-B" TYPE      | "REC-B" TYPE                      | "REC-B" TYPE                                    | "REC-B" TYPE               | "REC-B" TYPE               |
|                       | Outside Dia    | 190 (mm)          | 190 (mm)                          | 180 (mm)  | 180 (mm)                   | 457 (mm)                   |
| V-VELT                | P/No           | 4400A30002G       | 4400A30002G                       | 4400A30002G                                     | 4400A30002G                | 4400A30002J                |
|                       | Type           | "REC-B" TYPE      | "REC-B" TYPE                      | "REC-B" TYPE                                    | "REC-B" TYPE               | "REC-B" TYPE               |
|                       | Length         | 54 (inch)         | 54 (inch)                         | 54 (inch)                                       | 54 (inch)                  | 81 (inch)                  |
| LOWER PRESSURE SWITCH | P/No           | -                 | 6600A20004C                       | -   | 6600A20004C                | 6600A20004C                |
|                       | Spec           | -                 | OFF:2.0kgf/ON:3.5kgf              | -   | OFF:2.0kgf/ON:3.5kgf       | OFF:2.0kgf/ON:3.5kgf       |
|                       | Rated Voltage  | -                 | DC 24V                            | -   | DC 24V                     | DC 24V                     |
|                       | Maker          | -                 | SAGINOMIYA                        | -   | SAGINOMIYA                 | SAGINOMIYA                 |
| CAPACITOR for COMP    | P/No           | -                 | -                                 | -   | -                          | -                          |
|                       | Spec           | -                 | -                                 | -   | -                          | -                          |
| CAPACITOR for ***IDM  | P/No           | -                 | -                                 | -   | -                          | -                          |
|                       | Spec           | -                 | -                                 | -   | -                          | -                          |
| CAPACITOR for ****ODM | P/No           | 0CZZA20001E       | 0CZZA20001E                       | 0CZZA20001E                                     | -                          | 0CZZA20001E                |
|                       | Spec           | 20μF/450V         | 20μF/450V                         | 20μF/450V                                       | -                          | 20μF/450V                  |
| FILTER                | P/No           | 5230A20003D       | 5230A20003D                       | 5230A20003F                                     | 5230A20003F                | 5230A20003H                |
|                       | Size           | 938*408(mm)       | 938*408(mm)                       | 1,374*458(mm)                                   | 1,374*458(mm)              | 750*717(mm)                |
|                       | Q'ty           | 2                 | 2                                 | 2   | 2                          | 4                          |
| CAPILLIARY TUBE       | P/No           | -                 | 3H03750H<br>3H02633E              | 3H03750K<br>3E92334R<br>5210A30040P<br>3E92334M | 3H02633E                   | 3H01535R                   |
|                       | Spec           | -                 | I.D1.4*1100(mm)<br>I.D1.4*900(mm) | I.D1.4*700(mm)<br>I.D1.4*800(mm)                | I.D1.4*900(mm)             | I.D1.6*1000(mm)            |
|                       | Q'ty           | -                 | 9, 9                              | 10, 10, 7, 7                                    | 20                         | 20                         |
| TRANSFORMER           | P/No           | 6171AQ2138D       | 6171AQ2138D                       | 6171AQ2138D                                     | 6171AQ2138D                | 6171AQ2138E                |
|                       | Spec           | AC 220V,450mA     | AC 220V,450mA                     | AC 220V,450mA                                   | AC 220V,450mA              | AC 220V,450mA              |
| CONTACTOR for COMP.   | P/No           | 2A01031A          | 2A01031A                          | 2A01031A  | 2A01031A                   | 2A01031C                   |
|                       | Spec           | 30A, 220V CONTROL | 30A,220V CONTROL                  | 30A,220V CONTROL                                | 30A,220V CONTROL           | 40A,220V CONTROL           |
| RELAY for IDM         | P/No           | 6920AP3400A       | 6920AP3400A                       | 6920AP3400A                                     | 6920AP3400A                | 6920AP3400A                |
|                       | Spec           | 220V,25A          | 220V,25A                          | 220V,25A  | 220V,25A                   | 220V,25A                   |
| RELAY for ODM         | P/No           | 6920AP3400A       | 6920AP3400A                       | 6920AP3400A                                     | 6920AP3400A                | 6920AP3400A                |
|                       | Spec           | 220V,25A          | 220V,25A                          | 220V,25A  | 220V,25A                   | 220V,25A                   |

\*RLA: RATED LOAD AMPER, \*\*LRA: LOCK LOAD AMPER, \*\*\*IDM: INDOOR MOTOR, \*\*\*\*ODM:OUTDOOR MOTOR