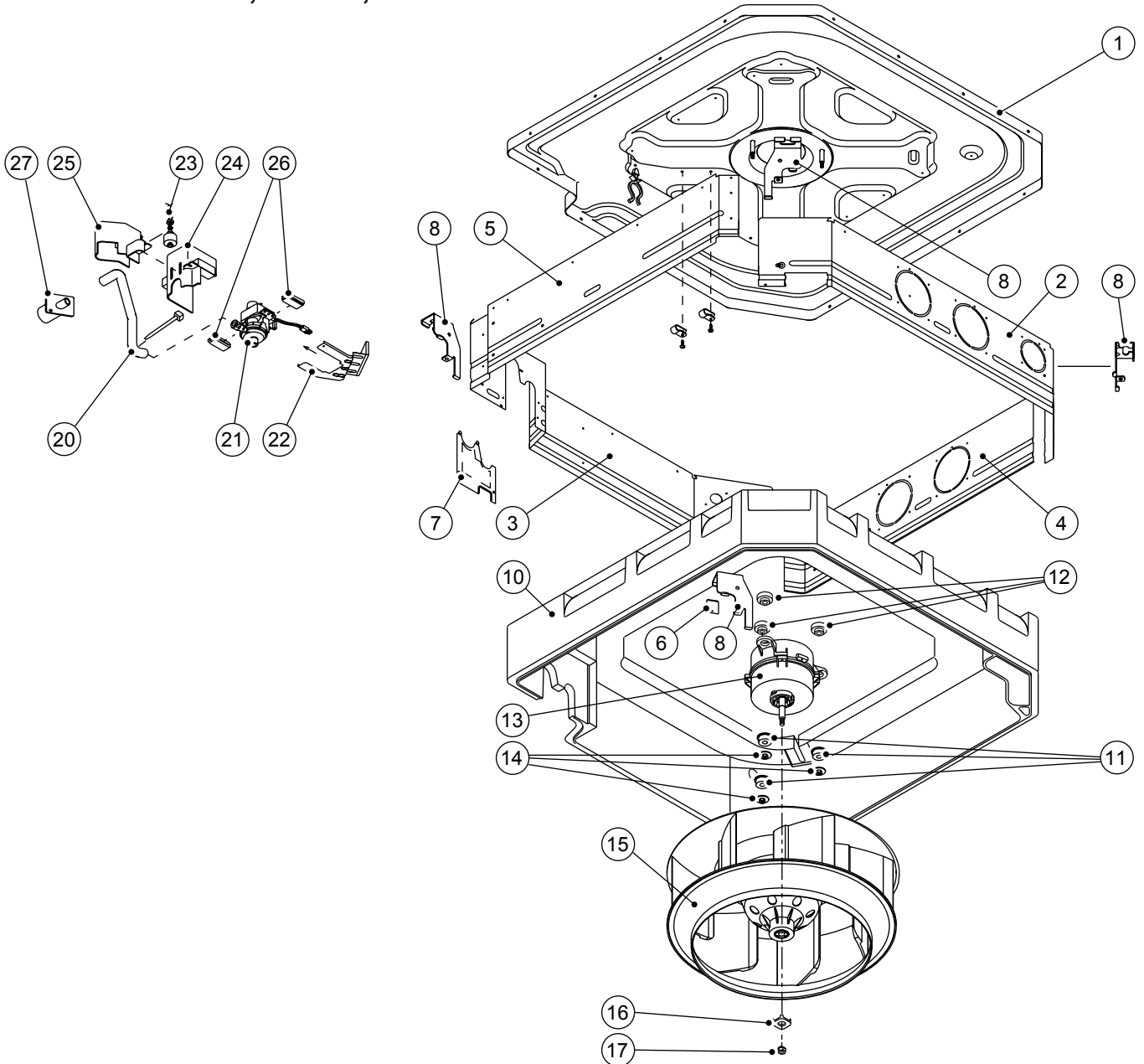
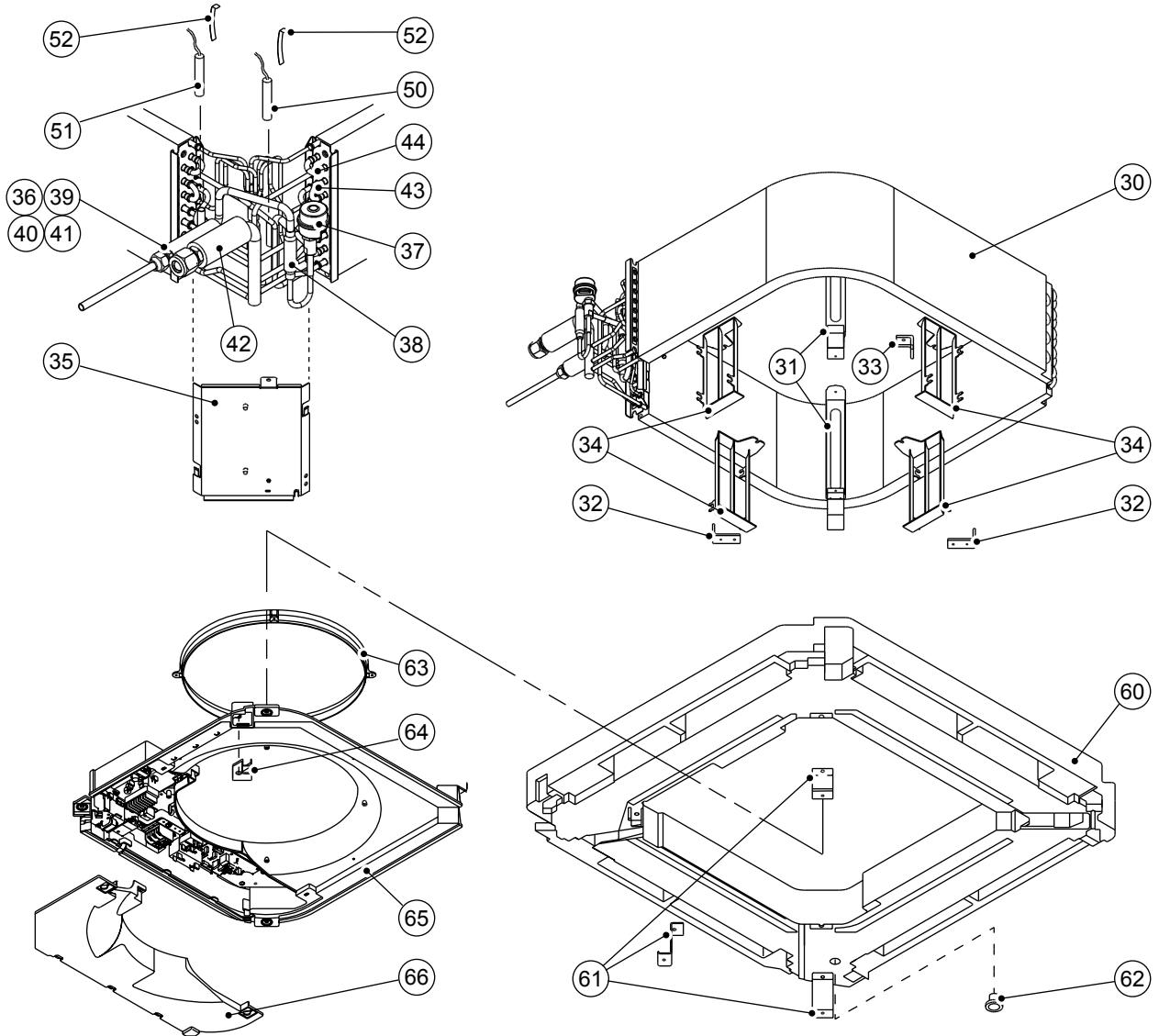


**MODELS : AU\*A20, AU\*A25, AU\*A30**



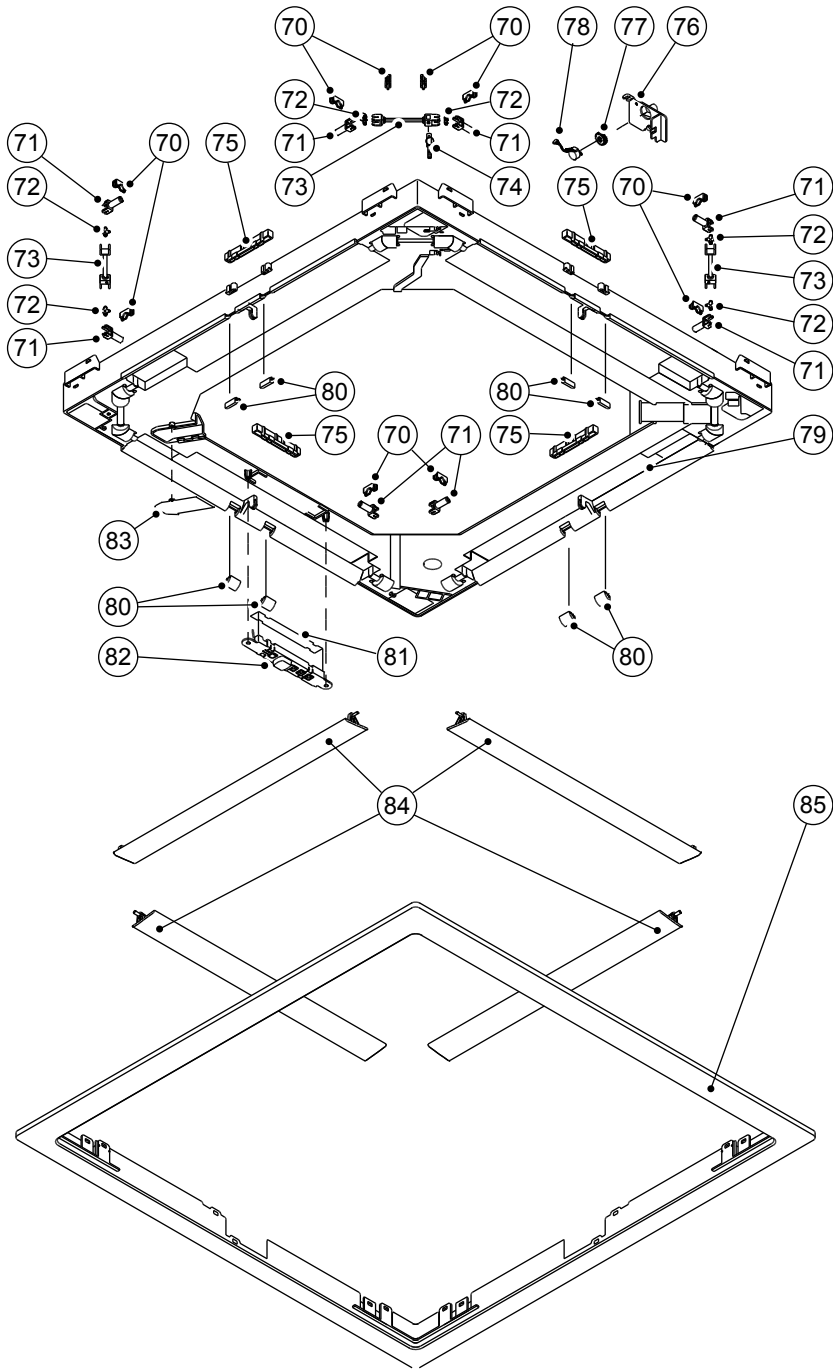
Ref No.	Description	Parts No.			Q'ty
		AU*A20	AU*A25	AU*A30	
1	TOP COVER PLATE ASSY	9362806022	9362806022	9362806022	
2	CABINET A ASSY	9362807012	9362807012	9362807012	
3	CABINET B ASSY	9362808019	9362808019	9362808019	
4	CABINET C	9362791007	9362791007	9362791007	
5	CABINET D	9362792004	9362792004	9362792004	
6	CABINET E	9362735001	9362735001	9362735001	
7	PIPE COVER	9362748001	9362748001	9362748001	
8	HOOK	9362736008	9362736008	9362736008	
10	INSULATION (INNER BOX)	9362797009	9362797009	9362797009	
11	RUBBER (VIB PROOF)A	9364891002	9364891002	9364891002	
12	RUBBER (VIB PROOF)B	9364892009	9364892009	9364892009	
13	FAN MOTOR ASSY-IN	9601558019	9601558019	9601558019	
14	SPECIAL NUT	9307615016	9307615016	9307615016	
15	TURBO FAN ASSY	9362810012	9362810012	9362810012	
16	WASHER (TURBO FAN)	9362756006	9362756006	9362756006	
17	HEX NUT (SPG LCK WAS)	9375072018	9375072018	9375072018	
20	DRAIN HOSE	9365074008	9365074008	9365074008	
21	PUMP UNIT	9900360030	9900360030	9900360030	
22	PUMP HOOK BRACKET	9362753005	9362753005	9362753005	
23	FLOAT SWITCH	9900361020	9900361020	9900361020	
24	PUMP COVER-A	9362775007	9362775007	9362775007	
25	PUMP COVER-B	9362776004	9362776004	9362776004	
26	CUSHION RUBBER (PUMP)	9362777001	9362777001	9362777001	
27	DRAINPORT	9362786003	9362786003	9362786003	

**MODELS : AU\*A20, AU\*A25, AU\*A30**



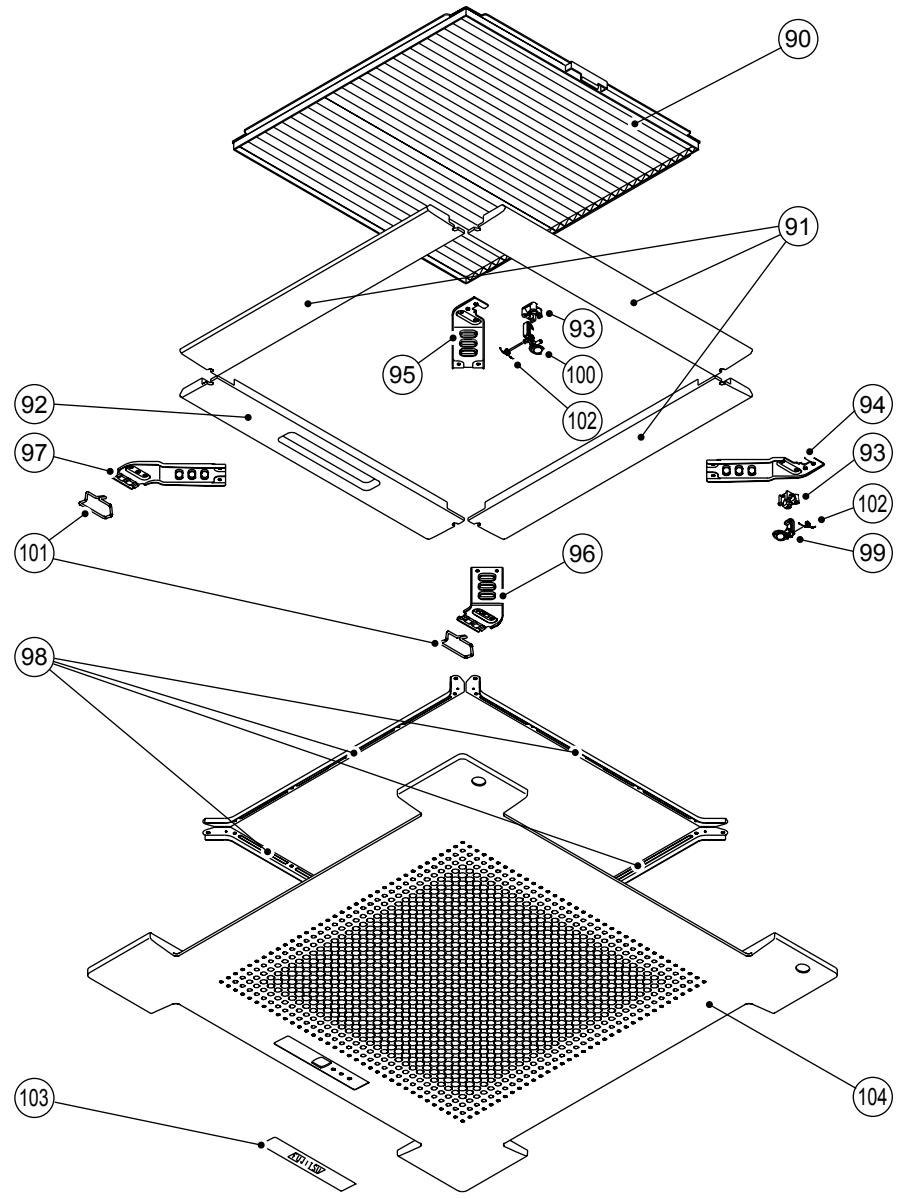
Ref No.	Description	Parts No.			Q'ty
		AU*A20	AU*A25	AU*A30	
30	EVAPORATOR SUB ASSY	9362817295	9362817295	9362817295	
31	EVA HOLDER ASSY	9362802024	9362802024	9362802024	
32	REINFORCEMENT (EVA)-A	9362749008	9362749008	9362749008	
33	REINFORCEMENT (EVA)-B	9362750004	9362750004	9362750004	
34	WIND GUIDE BOARD	9373444015	9373444015	9373444015	
35	SEPARATE WALL	9362793001	9362793001	9362793001	
36	DISTRIBUTOR ASSY	9371325194	9371325194	9371325194	
37	EXPANSION VALVE	9366302025	9366302025	9366302025	
38	STRAINER Q	9373588078	9373588078	9373588078	
39	STRAINER N	9373588047	9373588047	9373588047	
40	DISTRIBUTOR	9369128004	9369128004	9369128004	
41	NOZZLE	9368874001	9368874001	9368874001	
42	COUPLING PIPE ASSY	9371333106	9371333106	9371333106	
43	U PIPE A ASSY	9303428016	9303428016	9303428016	
44	U PIPE B ASSY	9303430019	9303430019	9303430019	
50	THERMISTOR (PIPE)	9900220020	9900220020	9900220020	
51	THERMISTOR (PIPE)	9703297014	9703297014	9703297014	
52	THERMO.SPRING-A	313728262708	313728262708	313728262708	
60	DRAIN PAN ASSY	9370934014	9370934014	9370934014	
61	REINFORCEMENT	9362757003	9362757003	9362757003	
62	DRAIN PAN PLUG	313005174654	313005174654	313005174654	
63	BELL-MOUTH (B)	9362774000	9362774000	9362774000	
64	WIRE COVER-A	9362789004	9362789004	9362789004	
65	CONTROL BOX	9362762007	9362762007	9362762007	
66	CONTROL BOX COVER	9362763004	9362763004	9362763004	

**MODELS : AU\*A20, AU\*A25, AU\*A30**



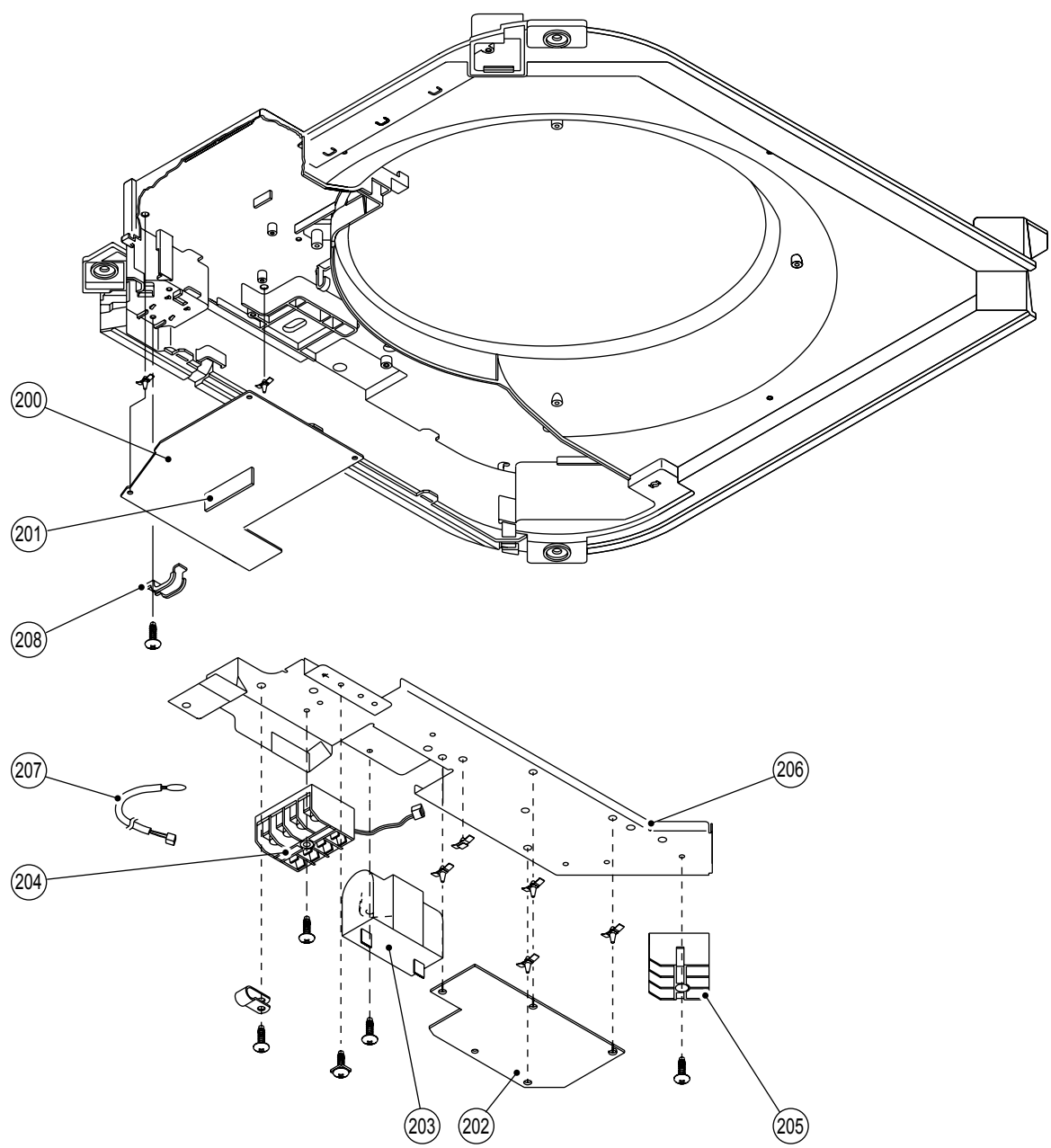
Ref No.	Description	Parts No.			Q'ty
		AU*A20	AU*A25	AU*A30	
70	LOUVER SUPPORT HOLDER	9362799003	9362799003	9362799003	
71	LOUVER SUPPORTER	9362770019	9362770019	9362770019	
72	JOINT SHAFT	9362771009	9362771009	9362771009	
73	JOINT-A	9362773003	9362773003	9362773003	
74	JOINT GEAR	9362772006	9362772006	9362772006	
75	PANEL FRAME HOLDER	9362761017	9362761017	9362761017	
76	MOTOR HOLDER	9362765008	9362765008	9362765008	
77	MOTOR GEAR	9362764001	9362764001	9362764001	
78	STEP MOTOR	9900362027	9900362027	9900362027	
79	PANEL BASE	9362759014	9362759014	9362759014	
80	PANEL BASE HOLDER	9362760010	9362760010	9362760010	
81	INDICATOR PCB ASSY	9705891036	9705891036	9705891036	
82	HOLDER (PCB)	9364855004	9364855004	9364855004	
83	WIRE COVER-B	9362788007	9362788007	9362788007	
84	LOUVER	9362769013	9362769013	9362769013	
85	PANEL FRAME	9362758017	9362758017	9362758017	

**MODELS : AU\*A20, AU\*A25, AU\*A30**






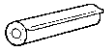




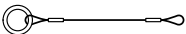
Ref No.	Description	Parts No.			Q'ty
		AU*A20	AU*A25	AU*A30	
90	FILTER	9362766005	9362766005	9362766005	
91	INSULATION (GRILLE)A	9362780001	9362780001	9362780001	
92	INSULATION (GRILLE)B	9362781008	9362781008	9362781008	
93	GRILLE HOOK HOLDER	9362782005	9362782005	9362782005	
94	RFM (GRILLE)A	9362738002	9362738002	9362738002	
95	RFM (GRILLE)B	9362739009	9362739009	9362739009	
96	RFM (GRILLE)C	9362740005	9362740005	9362740005	
97	RFM (GRILLE)D	9362741002	9362741002	9362741002	
98	RFM (GRILLE)E	9362742009	9362742009	9362742009	
99	GRILLE HOOK-A	9362779012	9362779012	9362779012	
100	GRILLE HOOK-B	9362778015	9362778015	9362778015	
101	GRILLE HINGE WIRE	9362754002	9362754002	9362754002	
102	GRILLE SPRING	9362755009	9362755009	9362755009	
103	DECORATION PLATE	9365652008	9365652008	9365652008	
104	INTAKE GRILLE	9362767019	9362767019	9362767019	

**MODELS : AU\*A20, AU\*A25, AU\*A30**



Ref No.	Description	Parts No.			Q'ty
		AU*A20	AU*A25	AU*A30	
200	CONTROLLER PCB ASSY	9707514025	9707514025	9707514025	
201	COMMUNICATION PCB	9704424044	9704424044	9704424044	
202	FILTER PCB ASSY	9704799081	9704799081	9704799081	
203	CAPACITOR	9900270216	9900270216	9900270216	
204	TERMINAL 4P	9306488093	9306488093	9306488093	
205	TERMINAL 3P	9703345012	9703345012	9703345012	
206	TERMINAL PLATE	9363642001	9363642001	9363642001	
207	THERMISTOR (ROOM)	9703299025	9703299025	9703299025	
208	CORD CLAMP	9356857009	9356857009	9356857009	
	FUSE	0600222512	0600222512	0600222512	
	FUSE HOLDER	0500158072	0500158072	0500158072	
	VARISTOR (ARRESTER)	0600168032	0600168032	0600168032	
	PCB ASSY-F (C+P)	9704793287	9704793287	9704793287	

**MODELS : AU\*A20, AU\*A25, AU\*A30, AU\*A36, AU\*A45, AU\*A54**

Name and Shape	Q'ty	Application	Parts No.		
			AU*A20 AU*A25	AU*A30 AU*A36	AU*A45 AU*A54
Manual (Operation) 	1		9369313028	9369313028	9369313028
Manual (Installation) 	1		9371022024	9371022024	9371022024
Coupler heat Insulation (Large) 	1	For indoor unit installation	9350716029	9350716029	9350716029
Coupler heat Insulation (Small) 	1	For indoor unit installation	9352766015	9352766015	9352766015
Adapter B 	1	Use as needed ø9.52-ø6.35 (AU*A20 /25)	9370242003	-	-
Special nut A (Large flange) 	4	For indoor unit installation	313005446653	313005446653	313005446653
Special nut B (Small flange) 	4	For indoor unit installation	313005446759	313005446759	313005446759
Blower cover Insulation 	2	Use for static pressure more than 40 Pa	9363265002	9363265002	9363265002
Hook wire 	2	For Installing intake grille	9363168006	9363168006	9363168006