

Multi Air Conditioning System for Buildings

SIMULTANEOUS OPERATION / INDIVIDUAL OPERATION

SERVICE MANUAL



FUJITSU GENERAL LIMITED

CONTENTS

1. SPECIFICATIONS	2
1.1 OUTDOOR UNIT	2
1.1.1 SIMULTANEOUS OPERATION	2
1.1.2 INDIVIDUAL OPERATION	3
1.2 INDOOR UNIT	4
1.2.1 UNIVERSAL FLOOR / CEILING TYPE	4
1.2.2 COMPACT CASSETTE TYPE / CASSETTE TYPE	5
1.2.3 LOW STATIC PRESSURE DUCT TYPE	6
1.2.4 REFRIGERANT CHARGING	7
2. DIMENSIONS	8
2.1 OUTDOOR UNIT	8
2.2 SERVICE SPACE FOR OUTDOOR UNIT	9
2.3 INDOOR UNIT	10
2.3.1 UNIVERSAL FLOOR / CEILING TYPE	10
2.3.2 LARGE CEILING TYPE	11
2.3.3 COMPACT CASSETTE TYPE	12
2.3.4 CASSETTE TYPE	13
2.3.5 LOW STATIC PRESSURE DUCT TYPE	14
2.4 REMOTE CONTROL	15
3. REFRIGERANT SYSTEM DIAGRAM	16
3.1 SIMULTANEOUS OPERATION	16
3.2 INDIVIDUAL OPERATION	17
4. CIRCUIT DIAGRAM	18
4.1 OUTDOOR UNIT	18
4.1.1 SIMULTANEOUS OPERATION	19
4.1.2 INDIVIDUAL OPERATION	20
4.2 INDOOR UNIT	22
5. PRINTED CIRCUIT BOARD LAYOUTS	28
5.1 OUTDOOR UNIT	28
5.2 INDOOR UNIT	30
6. OUTDOOR PRINTED CIRCUIT BOARD CIRCUIT DIAGRAM	33
7. INDOOR PRINTED CIRCUIT BOARD CIRCUIT DIAGRAM	37
8. DISASSEMBLY ILLUSTRATION	44
9. PARTS LIST	73
10. STANDARD ACCESSORIES	92

1. SPECIFICATIONS

1.1 OUTDOOR UNIT

1.1.1 SIMULTANEOUS OPERATION (cooling / cooling and heating)

Model			AOY90EPA3L	AOY90TPA3L	
Power Source		ϕ , Hz	$\phi 3$ W4, 50Hz		
		V	380 – 415		
Total Input Watts	Cooling	kW	9.4	9.4	
	Heating		—	10.0	
Total Ampacity	Cooling	A	16.2	16.2	
	Heating		—	17.0	
Starting Current		A	63	63	
EER	Cooling	W/W	2.7	2.7	
	Heating		—	2.86	
Fan Speed	High	r.p.m.	730		
	Low		360		
Air Circulation	High	m ³ /h	9,800		
Heat Exchanger			Plate Fin Coil		
Fan Type x Q'ty			Propeller x 2		
Fan Motor Output		W	150 x 2		
Compressor	Motor Output	kW	4.2 x 2		
	Protection		Internal Protector(OCR), High Pressure Relief Valve		
Dimensions (H x W x D)	Net	mm	1,380 x 1,300 x 650		
	Gross		1,535 x 1,400 x 770		
Weights	Net	kg	243	245	
	Gross		280	282	
Noise Level (Sound Pressure)		dB(A)	57	57	
Refrigerant Circuit	Discharge Pressure		kg/cm ²	20	
	Suction Pressure			5.0	
	Discharge Temp.		°C	72	
	Suction Temp.			7	
	Discharge Air Temp.			44	
Condition	Indoor Air Temp.	Cooling	DB/WB	27°C / 19°C	
		Heating		20°C / (15)°C	
	Outdoor Air Temp.	Cooling	DB/WB	35°C / 24°C	
		Heating		7°C / 6°C	
Refrigerant	Type		R407C		
	Charge		kg	6.0	6.0
Pipe	Size	Liquid	mm(inch)	12.7 (1/2")	
		Gas		28.6 (1-1/8")	
	Connection Method	Liquid	mm	Flare	
		Gas		Flange	
	Max Length		m	50	
	Max Height			50	
Max Chargeless Length		30			
Operation Range	Cooling/Heating		°C	0 ~ 52 / -10 ~ 21	

1.1.2 INDIVIDUAL OPERATION (cooling / cooling and heating)

Model			AOY90EPAMA	AOY90TPAMA	
Power Source		ϕ , Hz	ϕ 3 W4, 50Hz		
		V	380 – 415		
Total Input Watts	Cooling	kW	9.4	9.4	
	Heating		—	10.0	
Total Ampacity	Cooling	A	16.2	16.2	
	Heating		—	17.0	
Starting Current		A	63	63	
EER	Cooling	W/W	2.7	2.7	
	Heating		—	2.86	
Fan Speed	High	r.p.m.	730		
	Low		360		
Air Circulation	High	m ³ /h	9,800		
Heat Exchanger			Plate Fin Coil		
Fan Type x Q'ty			Propeller x 2		
Fan Motor Output		W	150 x 2		
Compressor	Motor Output	kW	4.2 x 2		
	Protection		Internal Protector(OCR), High Pressure Relief Valve		
Dimensions (H x W x D)	Net	mm	1,380 x 1,300 x 650		
	Gross		1,535 x 1,400 x 770		
Weights	Net	kg	243	245	
	Gross		280	282	
Noise Level (Sound Pressure)		dB(A)	57	57	
Refrigerant Circuit	Discharge Pressure		kg/cm ²	19.4	
	Suction Pressure			4.5	
	Discharge Temp.		°C	83	
	Suction Temp.			7	
	Discharge Air Temp.			44	
Condition	Indoor Air Temp.	Cooling	DB/WB	27°C / 19°C	
		Heating		20°C / (15)°C	
	Outdoor Air Temp.	Cooling	DB/WB	35°C / 24°C	
		Heating		7°C / 6°C	
Refrigerant	Type		R407C		
	Charge		kg	3.1 x 2	3.1 x 2
Pipe	Size	Liquid	mm(inch)	9.53 (3/8")	
		Gas		19.05 (6/8")	
	Connection Method	Liquid	mm	Flare	
		Gas		Flare	
	Max Length		m	50	
	Max Height			50	
	Max Chargeless Length			30	
Operation Range	Cooling/Heating		°C	0 ~ 52 / -10 ~ 21	

1.2 INDOOR UNIT

1.2.1 UNIVERSAL FLOOR / CEILING TYPE

Model			ABY18TLAMA	ABY24TLAMA	ABY30TLAMA	ABY36TLAMA	ABY45TLAMA
Power Source		V	220 – 240				
Capacity	Cooling	kW	5.20 – 5.30	6.50 – 6.60	8.6 – 8.8	10.3 – 10.5	12.4 – 12.7
		BTU/h	17,800 ~ 18,100	22,200 ~ 22,500	29,400 ~ 30,000	35,200 ~ 36,000	42,500 ~ 43,500
	Heating	kW	5.50 – 5.60	7.60 – 7.70	8.8 – 9.1	10.5 – 10.7	13.4 – 13.7
		BTU/h	18,800 ~ 19,100	25,900 ~ 26,300	30,000 ~ 31,000	36,000 ~ 36,500	46,000 ~ 47,000
Moisture Removal		ℓ/hr	2.2	3.4	4.0	4.0	5.5
Air Circulation	High	m ³ /h	800	900	1,270	1,660	1,850
	Med		680	780	1,120	1,500	1,660
	Low		560	660	860	1,270	1,430
Fan Speed	High	r.p.m.	1,030	1,180	850	1,000	1,100
	Med		890	1,040	750	900	1,000
	Low		770	900	600	750	850
Fan Motor Output		W	30	40	160	160	160
Noise (Sound Pressure)	High	dB(A)	47	50	41.5	47	50
	Med		42.5	46	38	44	48
	Low		38	42	34.5	39	44
Fan Type x Q'ty			Sirocco x 2		Sirocco x 4		
Heat Exchanger			Plate fin coil				
Operation Control			LCD Remote control				
Dimensions (H x W x D)	Net	mm	199 x 990 x 655		240 x 1,660 x 700		
	Gross		320 x 1150 x 790		318 x 1,800 x 790		
Weights	Net	kg	30	30	48	48	48
	Gross		39	39	61	61	61
Pipe Size	Liquid	mm	9.53				
	Gas		15.88			19.05	
Pipe Connection Method			Flare				
Drain Pipe Size		mm	26		24		
Operation Range		Cool/Heat °C	18 ~ 30 / 16 ~ 30				

1.2.2 COMPACT CASSETTE TYPE / CASSETTE TYPE

Model			AUY18TLAMA	AUY25TLAMA	AUY30TLAMA	AUY36TLAMA	AUY45TLAMA
Power Source		V	220 – 240				
Capacity	Cooling	kW	4.85 – 5.00	6.95 – 7.05	8.60 – 8.80	10.3 – 10.5	12.4 – 12.7
		BTU/h	19,000 ~ 19,900	23,700 ~ 24,100	29,400 ~ 30,000	35,200 ~ 35,800	42,300 ~ 43,400
	Heating	kW	5.30 – 5.45	7.60 – 7.85	8.80 – 9.10	10.5 – 10.7	13.4 – 13.7
		BTU/h	21,000 ~ 21,600	25,900 ~ 26,800	30,000 ~ 31,100	35,800 ~ 36,500	45,800 ~ 46,800
Moisture Removal		ℓ/hr	2.1	2.5	3.0	5.0	6.0
Air Circulation	High	m ³ /h	650	1,170	1,270	1,500	1,650
	Med		550	970	1,070	1,300	1,450
	Low		490	770	880	1,100	1,200
Fan Speed	High	r.p.m.	820	460	500	580	620
	Med		740	390	430	500	550
	Low		620	320	360	420	470
Fan Motor Output		W	14	90	90	90	90
Noise (Sound Pressure)	High	dB(A)	44	43	45	48	49
	Med		41	38	41	44	47
	Low		37	34	36	41	43
Fan Type x Q'ty			Turbo				
Heat Exchanger			Plate fin coil				
Operation Control			LCD Remote control				
Dimensions (H x W x D)	Net	mm	235x580x580+70	296 x 830 x 830			
	Gross		280x710x750	360 x 1,060 x 1,060			
Weights	Net	kg	18	38	38	40	40
	Gross		23	45	45	47	47
Pipe Size	Liquid	mm	6.35	9.53			
	Gas		12.7	15.88		19.05	
Pipe Connection Method			Flare				
Drain Pipe Size		mm	32				
Operation Range		Cool/Heat °C	18 ~ 30 / 16 ~ 30				

1.2.3 LOW STATIC PRESSURE DUCT TYPE

Model			ART25TLAMA	ART30TLAMA	ART36TLAMA	ART45TLAMA
Power Source		V	220 – 240			
Capacity	Cooling	kW	6.95 – 7.05	8.6 – 8.8	10.3 – 10.5	12.4 – 12.7
		BTU/h	23,700 ~ 24,100	29,400 ~ 30,000	35,200 ~ 36,000	42,500 ~ 43,500
	Heating	kW	7.60 – 7.85	8.8 – 9.1	10.5 – 10.7	13.4 – 13.7
		BTU/h	25,900 ~ 26,800	30,000 ~ 31,000	36,000 ~ 36,500	46,000 ~ 47,500
Moisture Removal		ℓ/hr	2.5	4.0	5.0	6.0
Air Circulation	High	m ³ /h	1,200	1,650	2,000	2,200
	Med		1,100	1,550	1,800	2,000
	Low		1,000	1,350	1,600	1,800
Fan Speed	High	r.p.m.	890	1,240	1,280	1,320
	Med		820	1,140	1,200	1,270
	Low		745	1,040	1,130	1,200
Fan Motor Output		W	70	275		
Noise (Sound Pressure)	High	dB(A)	44	47	47	49
	Med		42	45	45	47
	Low		40	43	43	45
Fan Type x Q'ty		Sirocco x 2				
Heat Exchanger		Plate fin coil				
Operation Control		LCD Remote control				
Dimensions (H x W x D)	Net	mm	270 x 1,210 x 700			
	Gross		330 x 1,300 x 790			
Weights	Net	kg	43	43	45	45
	Gross		58	58	60	60
Pipe Size	Liquid	mm	9.53			
	Gas		15.88	19.05		
Pipe Connection Method		Flare				
Drain Pipe Size		mm	38.1			
Operation Range		Cool/Heat °C	18 ~ 30 / 16 ~ 30			

1.2.4 REFRIGERANT CHARGING

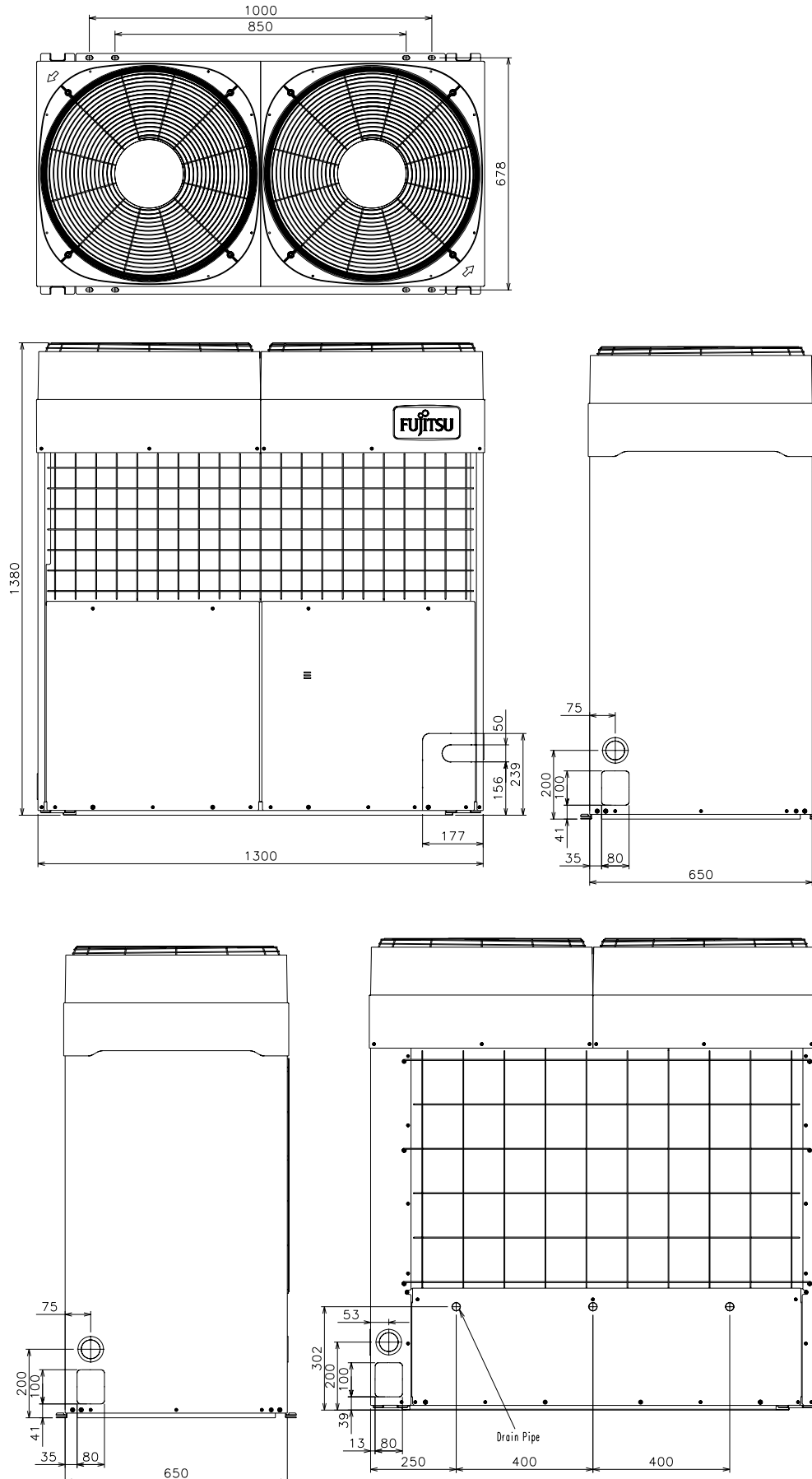
Model		Pipe length			Additional refrigerant g/m
		16ft (5m) ~ 99ft (30m)	132ft (40m)	165ft (50m)	
FULL CHARGE AMOUNT	AOY90TP3L	6,000	7,000	8,000	100
	AOY90EP3L	6,000	7,000	8,000	100
	AOY90TPMA	3,100 + 3,100	3,500	3,900	40
	AOY90EPMA	3,100 + 3,100	3,500	3,900	40

2. DIMENSIONS

2.1 OUTDOOR UNIT

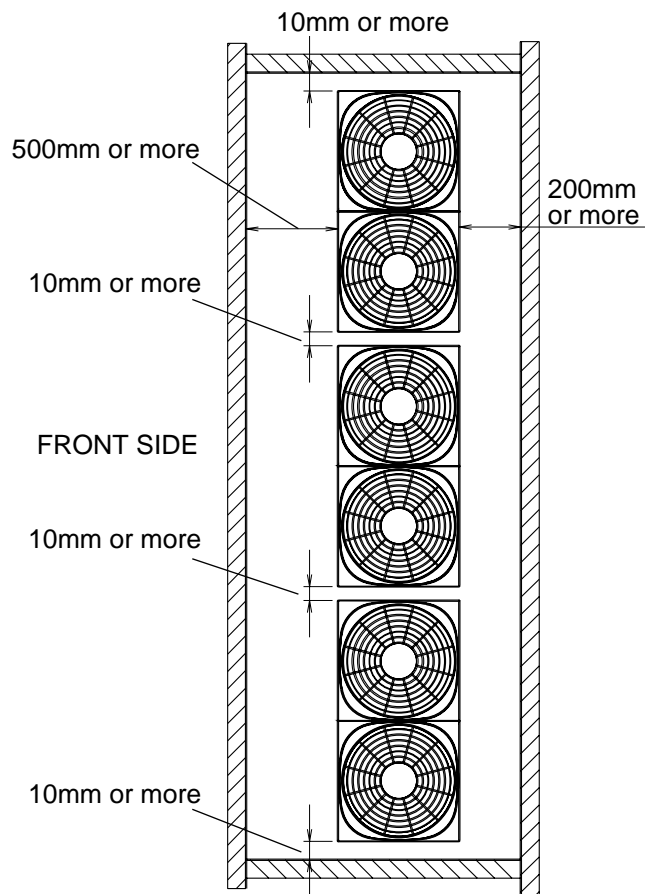
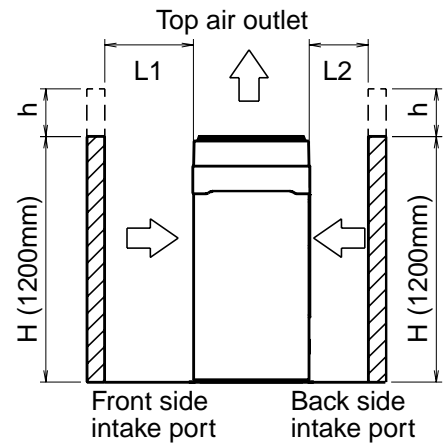
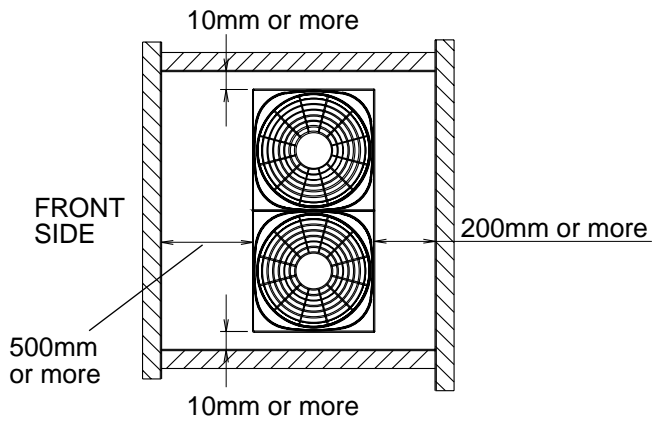
Models : AOY90EPA3L, AOY90TPA3L
AOY90EPAMA, AOY90TPAMA

(Unit : mm)



2.2 SERVICE SPACE FOR OUTDOOR UNIT

- Height of side wall is free.
- Height (H) of front wall is less than 1,200mm.
- When total height of outdoor unit is lower than front wall, add dimension h to service space for dimensions L1 and L2.

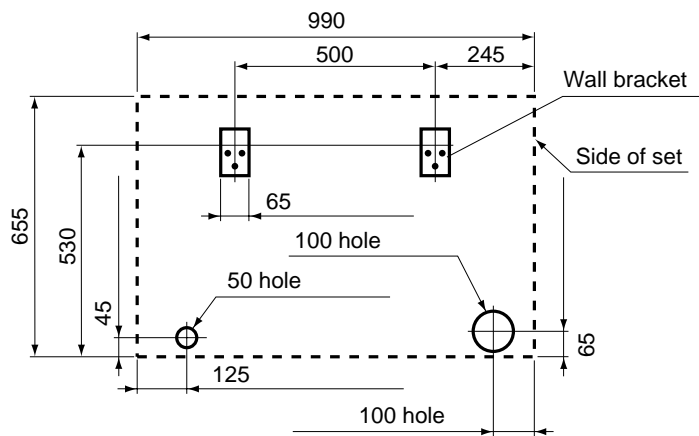
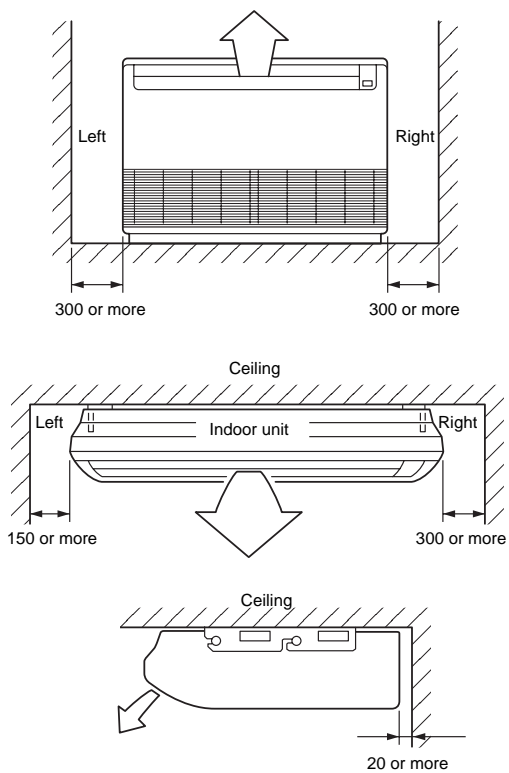
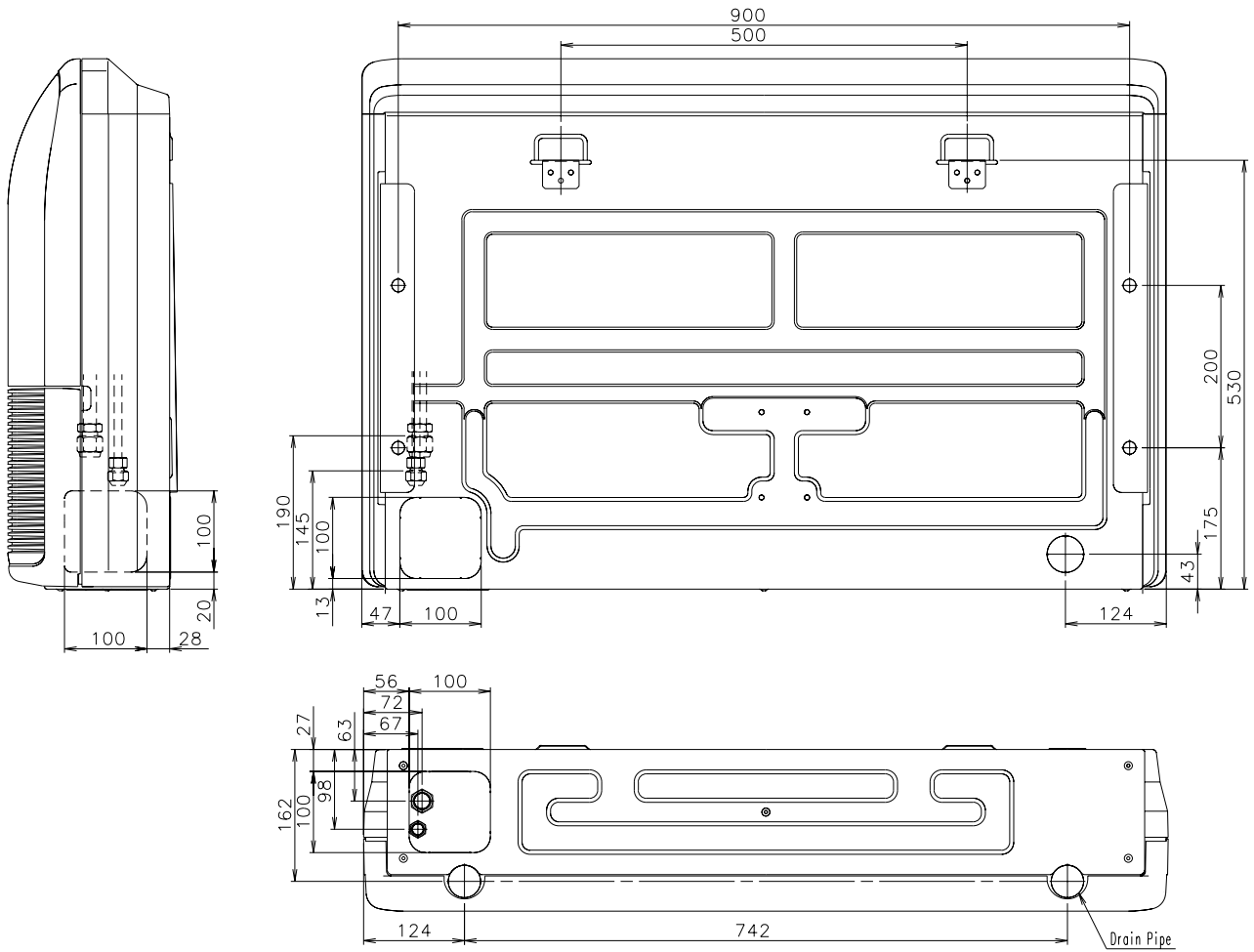


2.3 INDOOR UNIT

2.3.1 UNIVERSAL FLOOR / CEILING TYPE

Models : ABY18TLAMA
 ABY24TLAMA

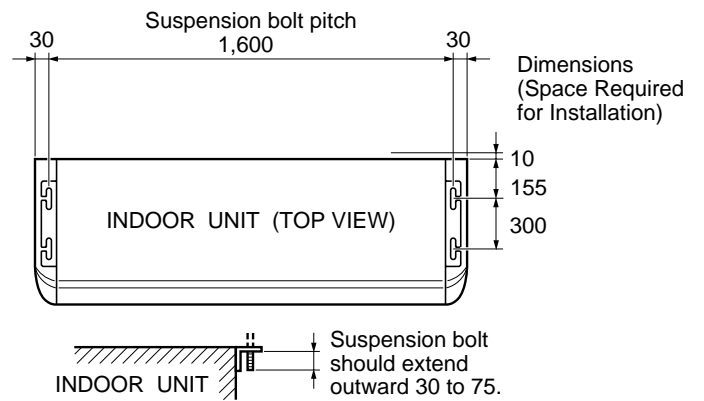
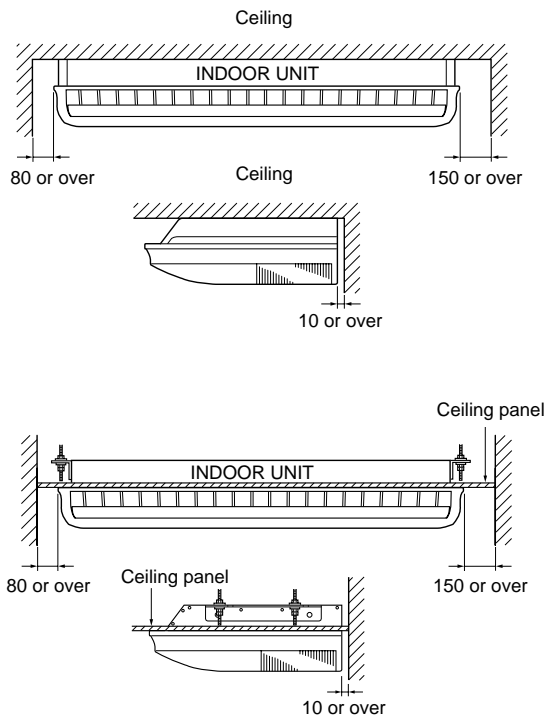
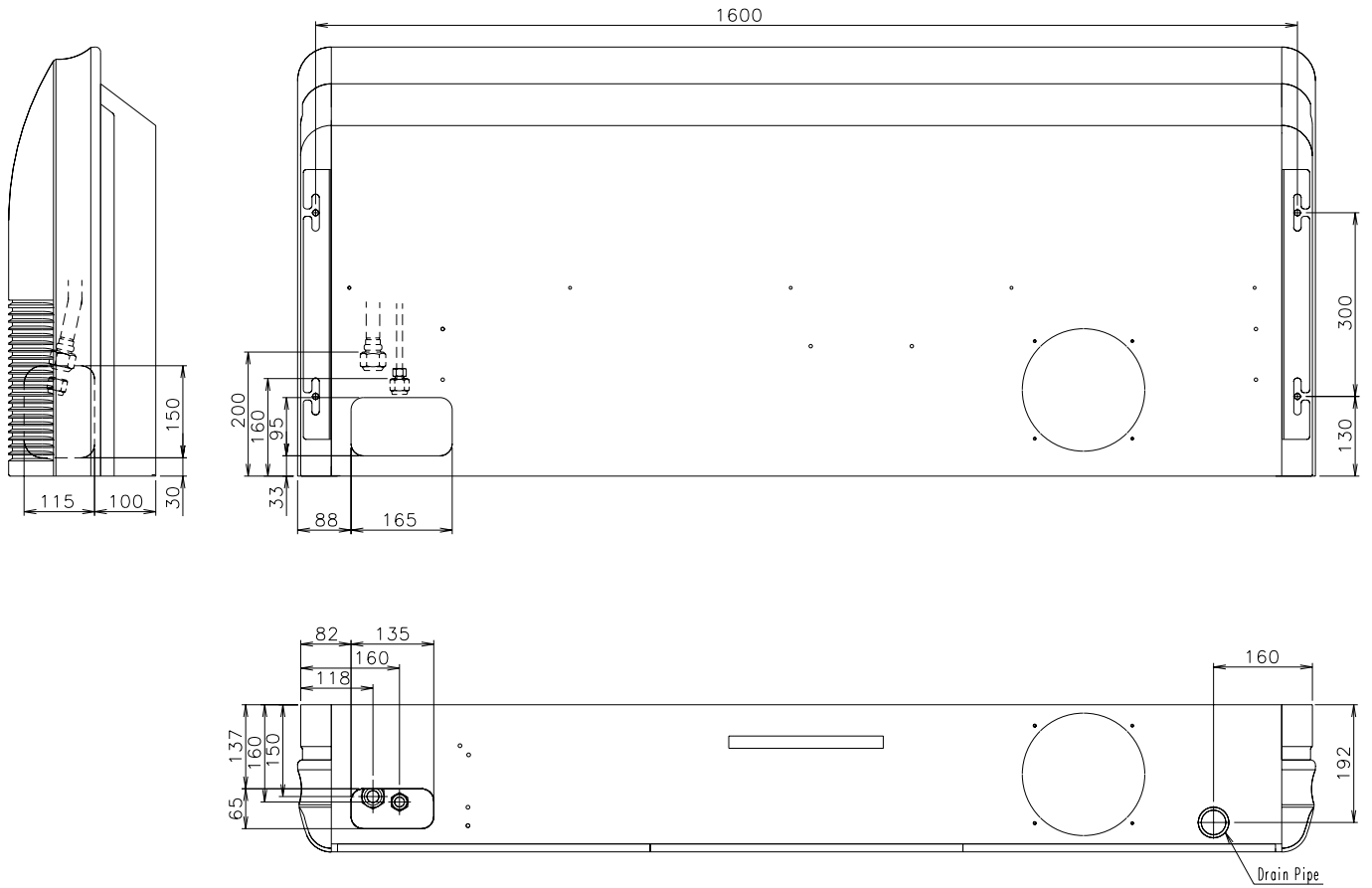
(Unit : mm)



2.3.2 LARGE CEILING TYPE

Models : ABY30TLAMA
 ABY36TLAMA
 ABY45TLAMA

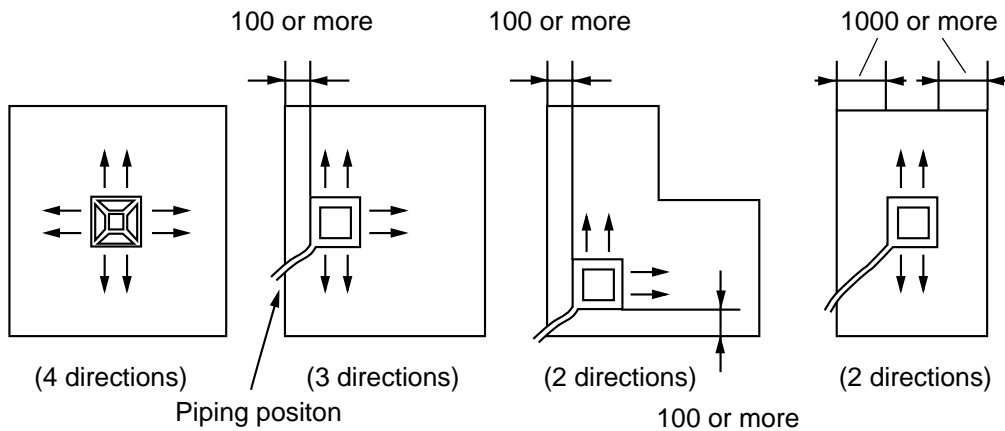
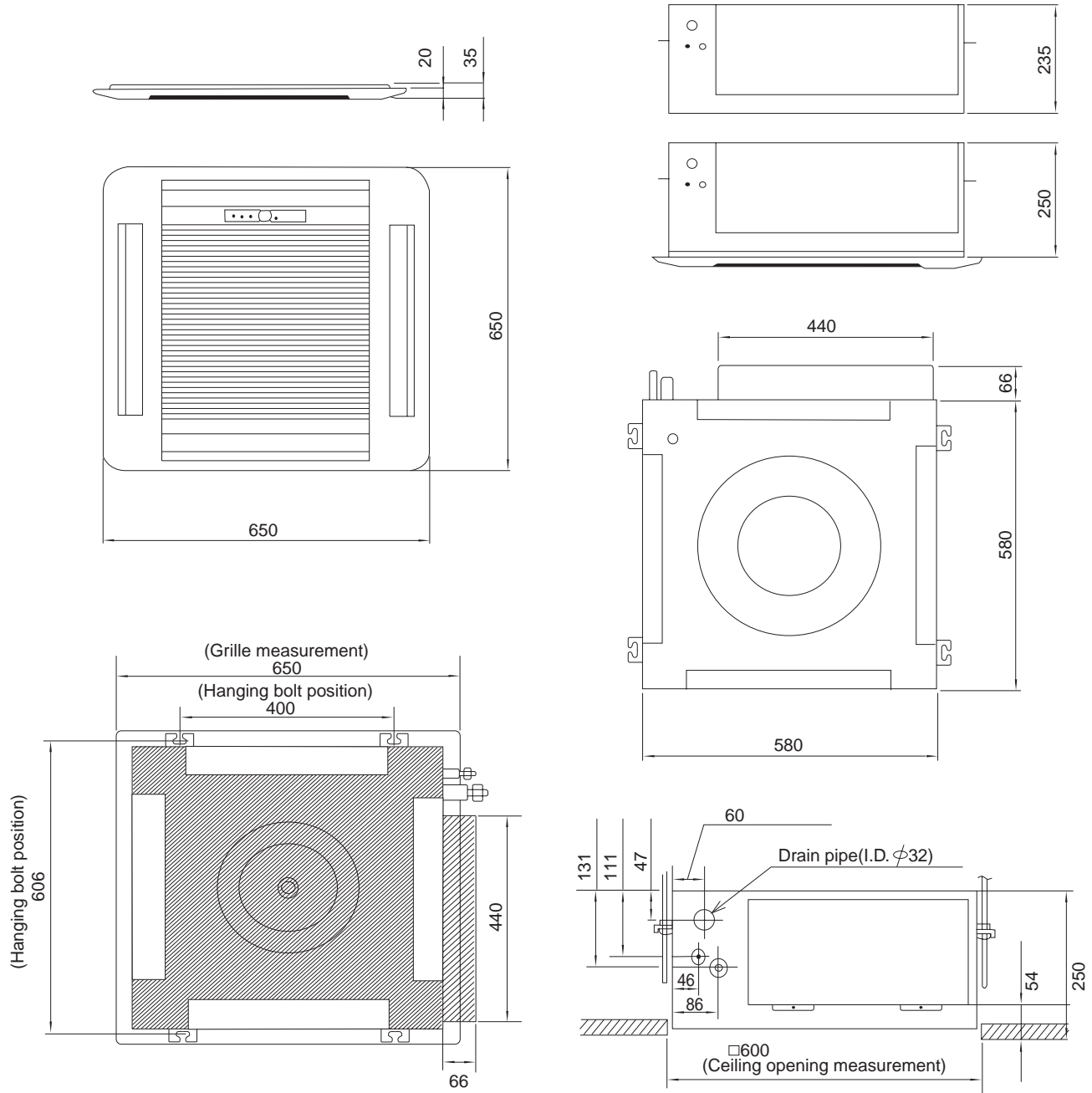
(Unit : mm)



2.3.3 COMPACT CASSETTE TYPE

Models : AUy18TLAMA

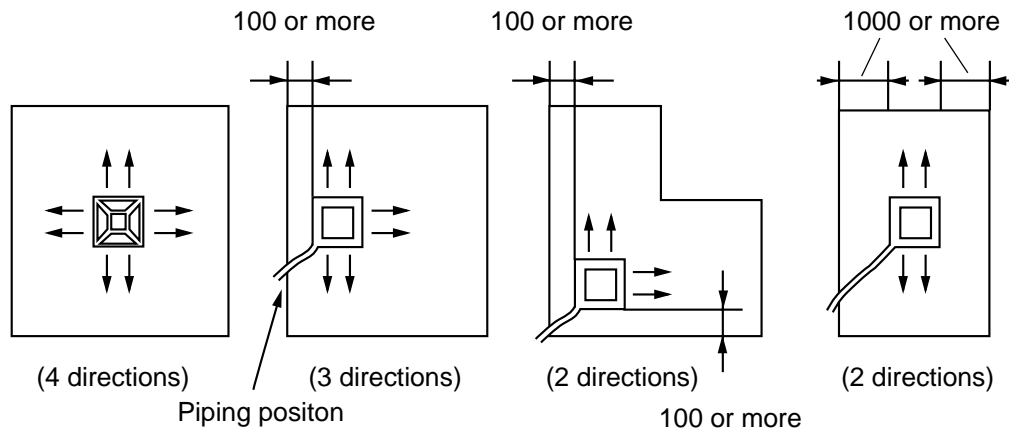
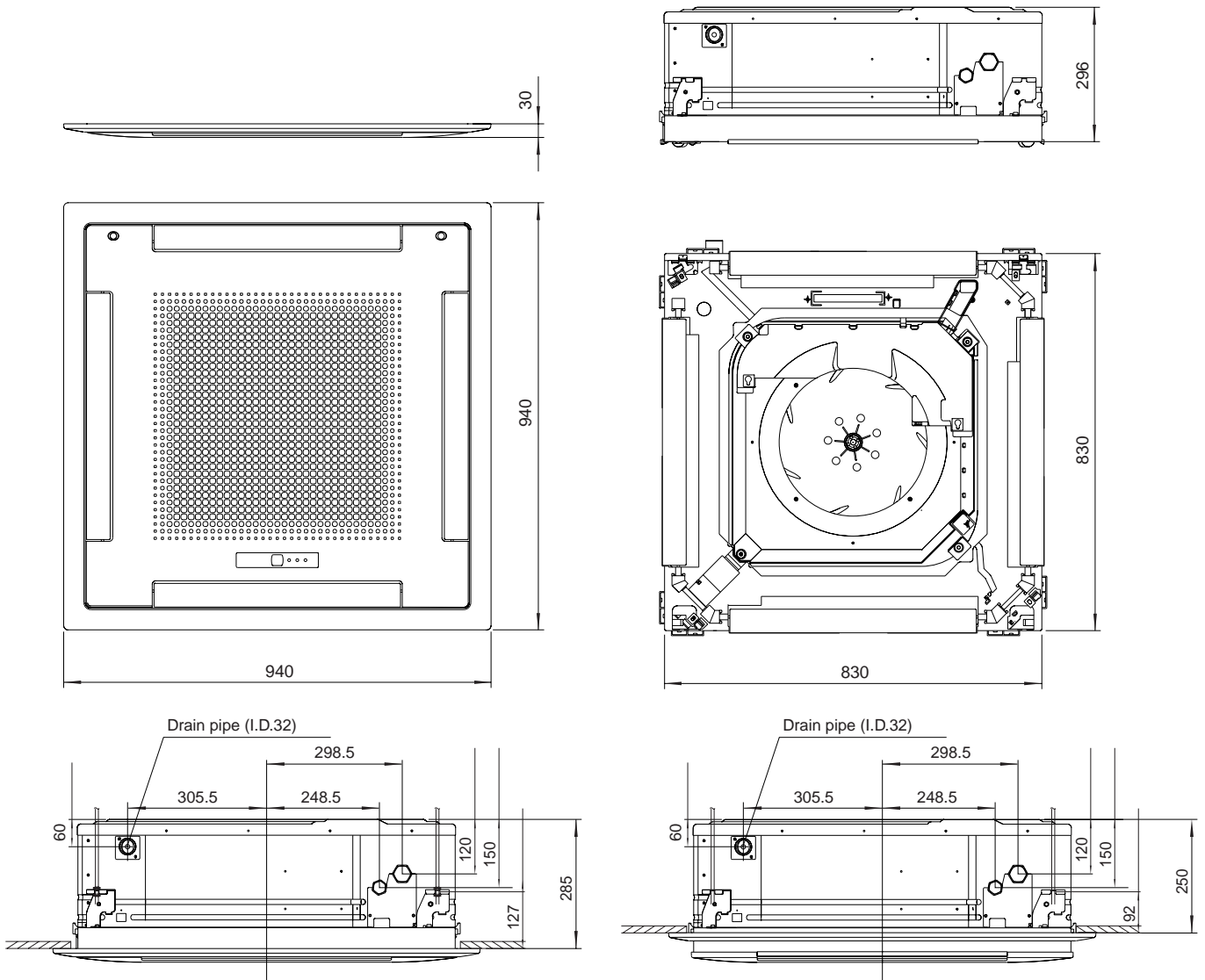
(Unit : mm)



2.3.4 CASSETTE TYPE

Models : AUY25TLAMA, AUY30TLAMA
 AUY36TLAMA, AUY45TLAMA

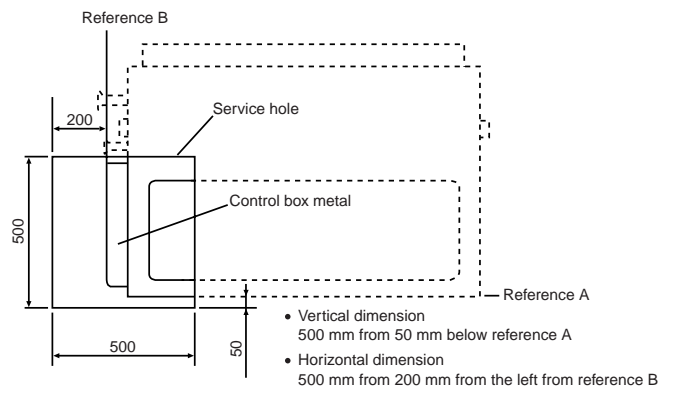
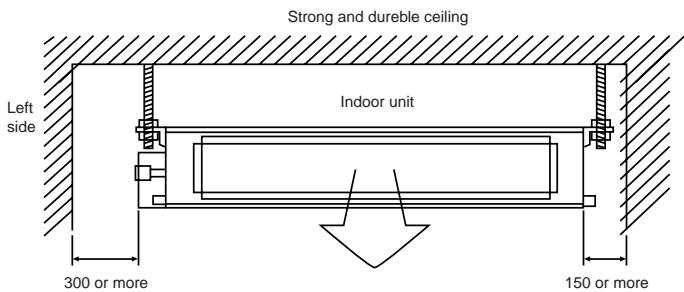
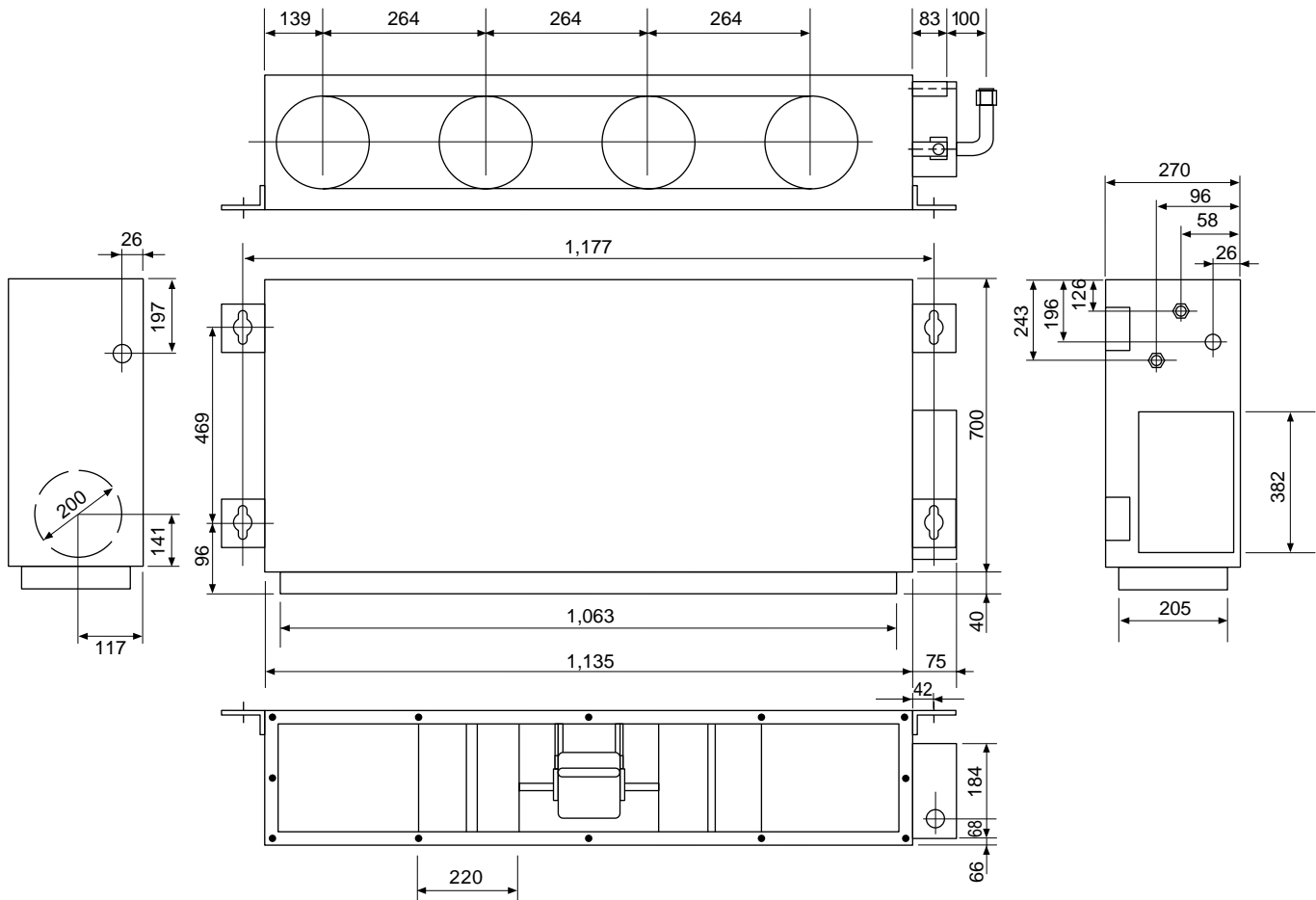
(Unit : mm)



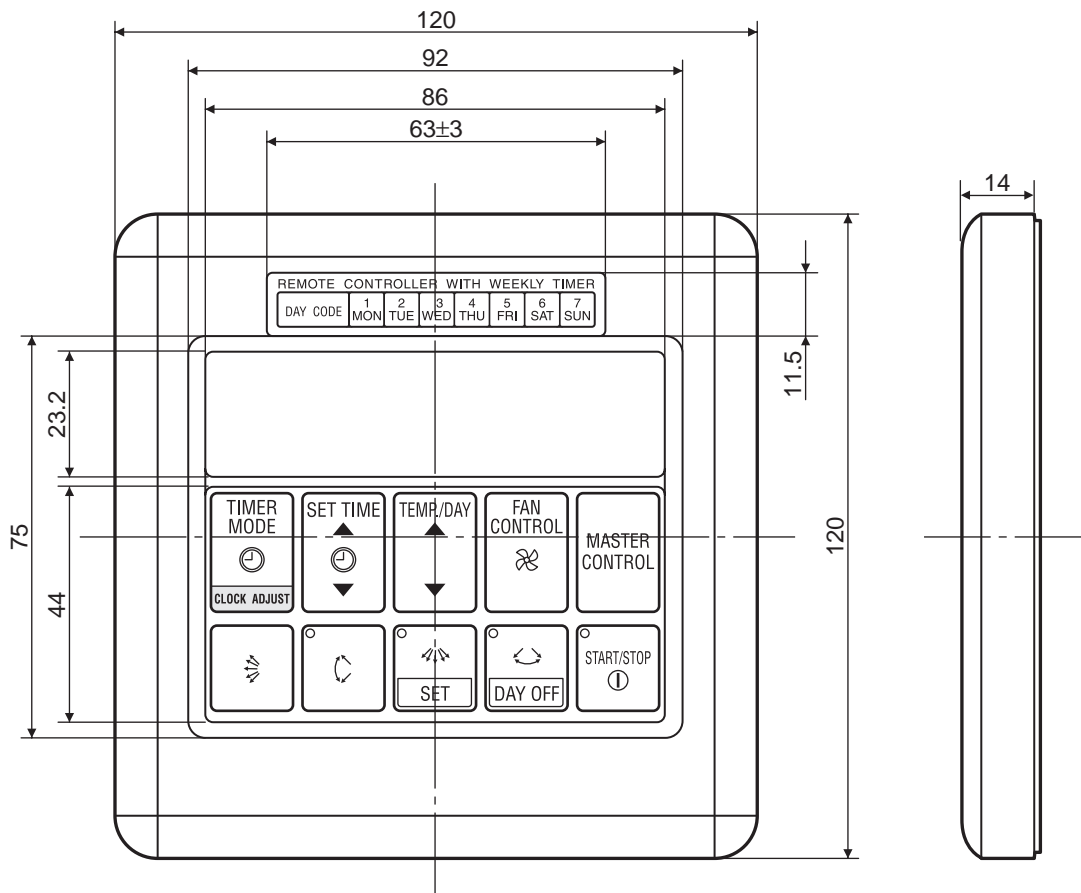
2.3.5 LOW STATIC PRESSURE DUCT TYPE

Models : ARY25TLAMA, ARY30TLAMA
 ARY36TLAMA, ARY45TLAMA

(Unit : mm)



2.4 REMOTE CONTROL

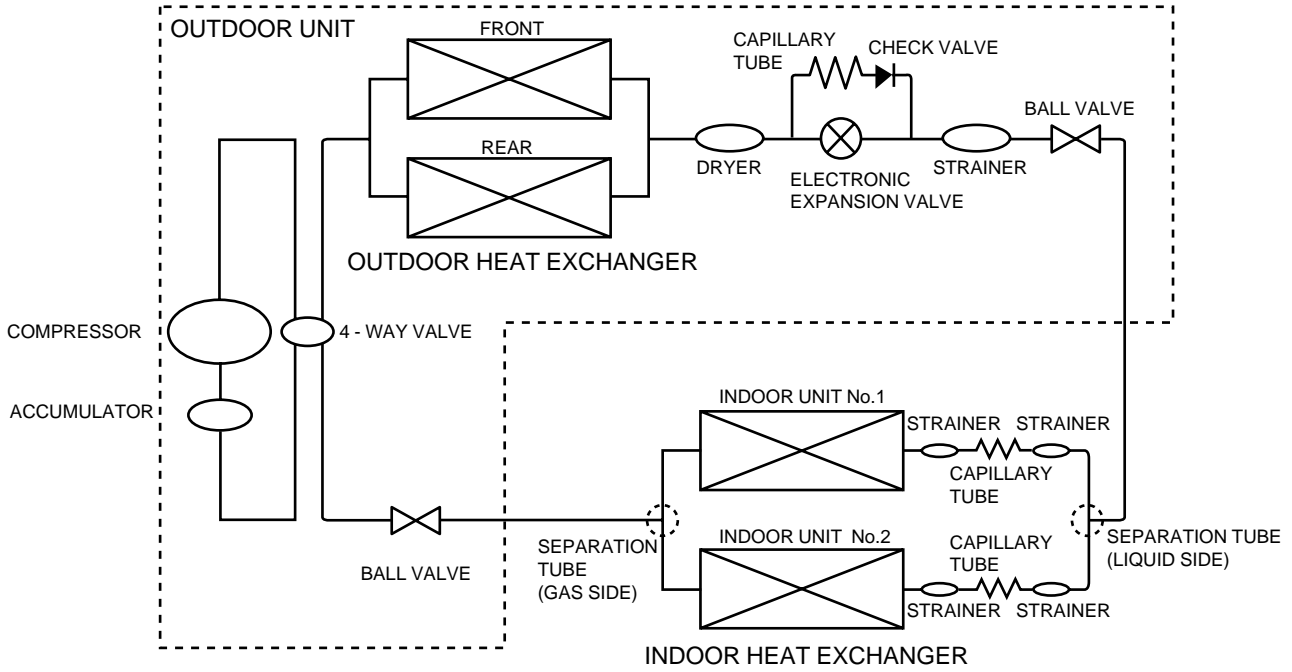


3. REFRIGERANT SYSTEM DIAGRAM

3.1 SIMULTANEOUS OPERATION

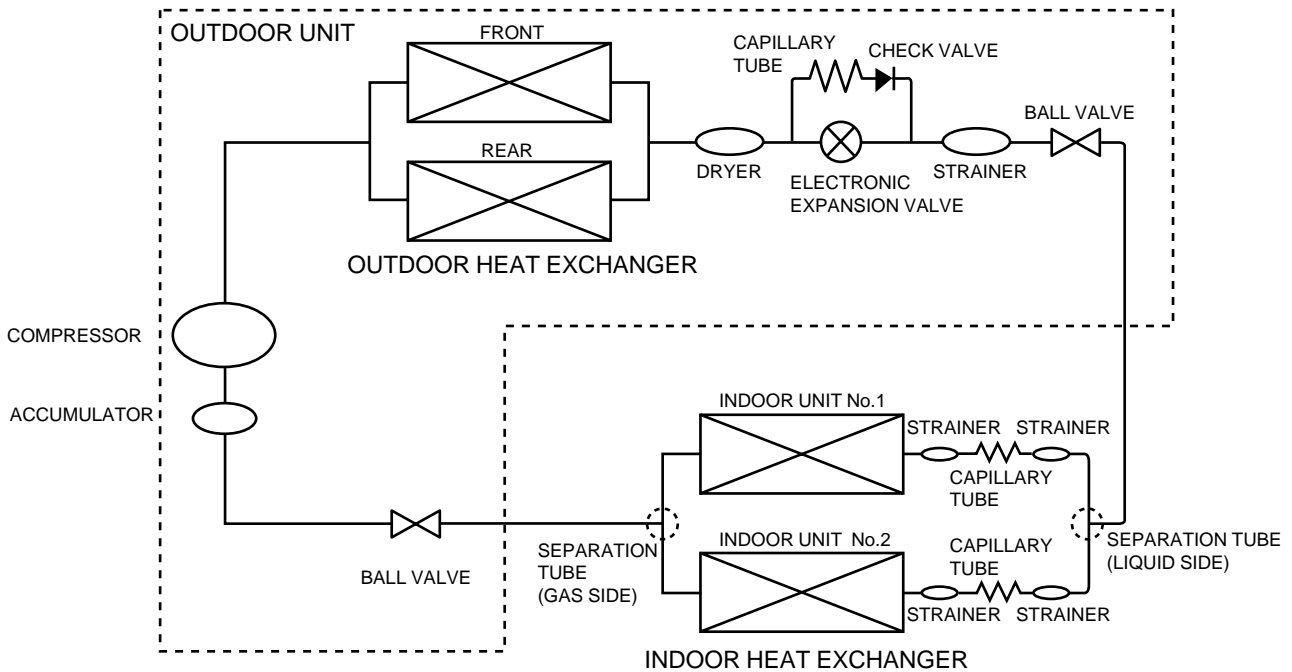
① Cooling and Heating

AOY90TPA3L



② Cooling

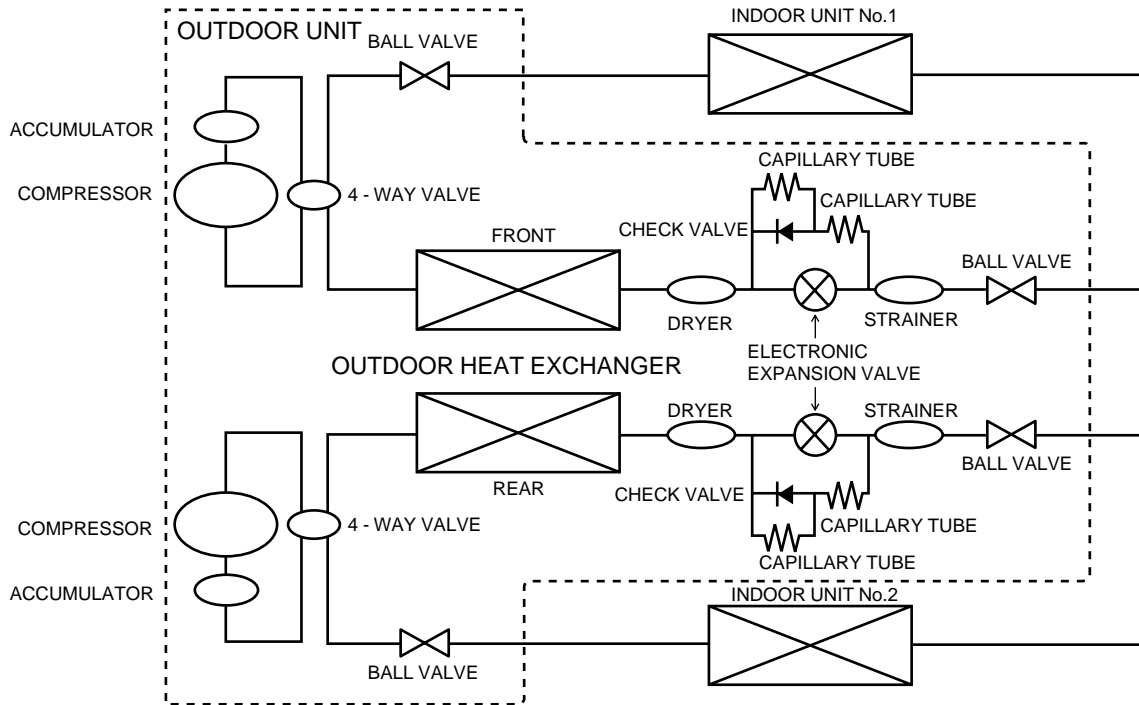
AOY90EPA3L



3.2 INDIVIDUAL OPERATION

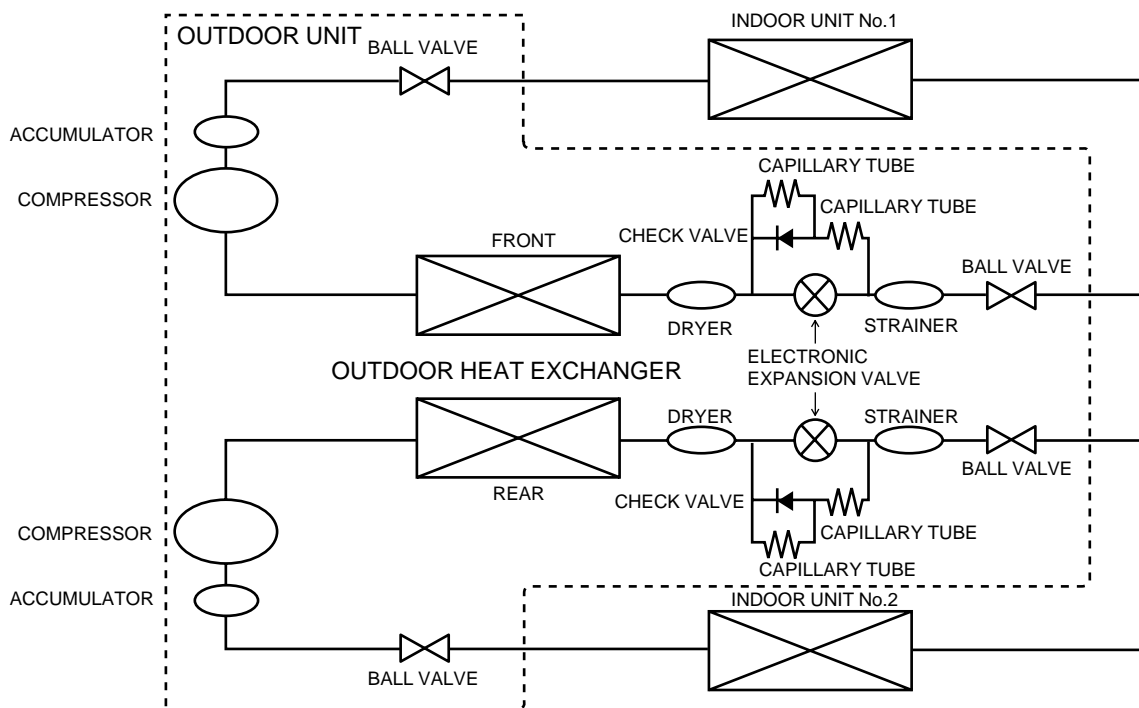
① Cooling and Heating

AOY90TPAMA



② Cooling

AOY90EPAMA



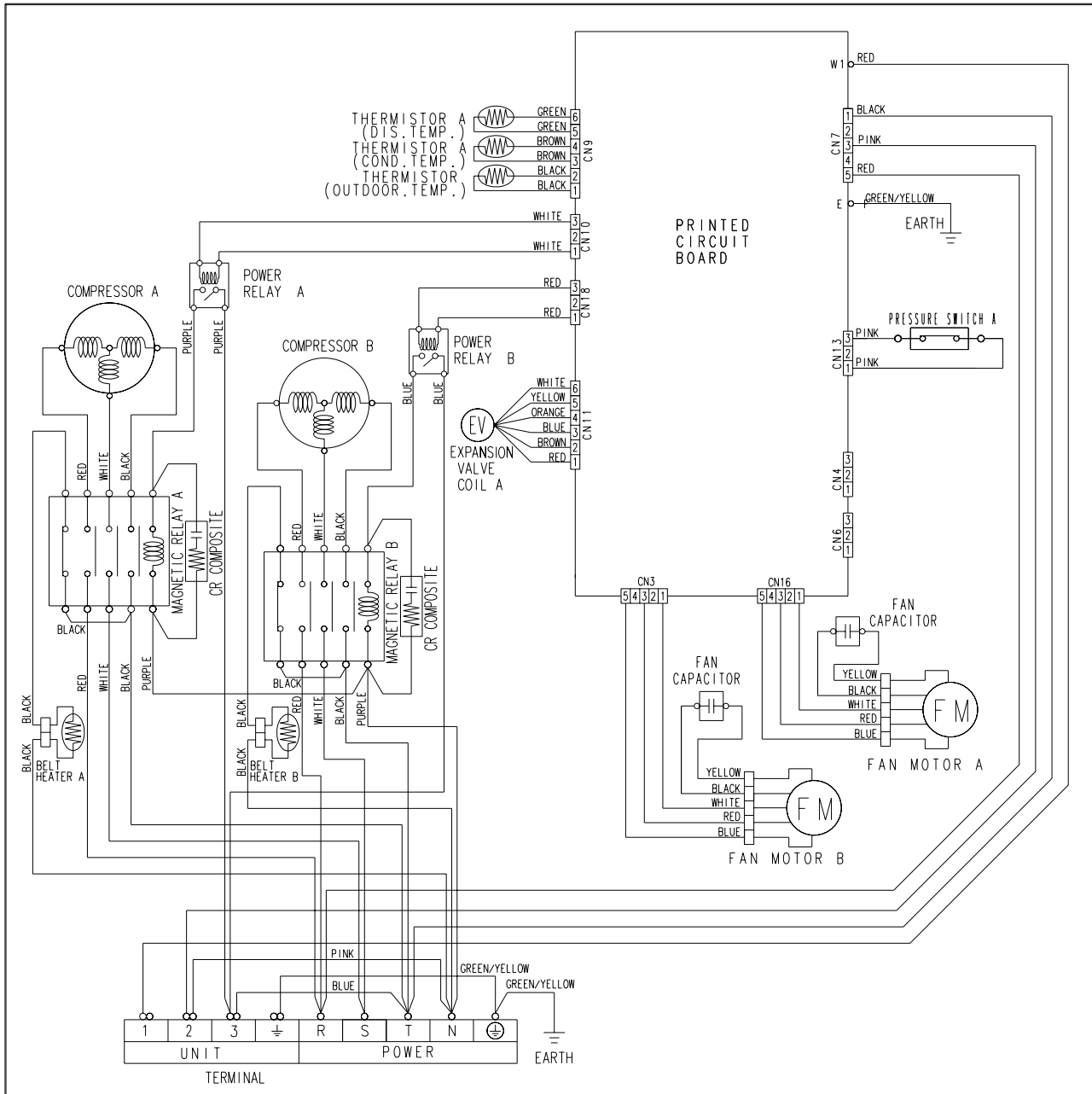
4. CIRCUIT DIAGRAM

4.1 OUTDOOR UNIT

4.1.1 SIMULTANEOUS OPERATION

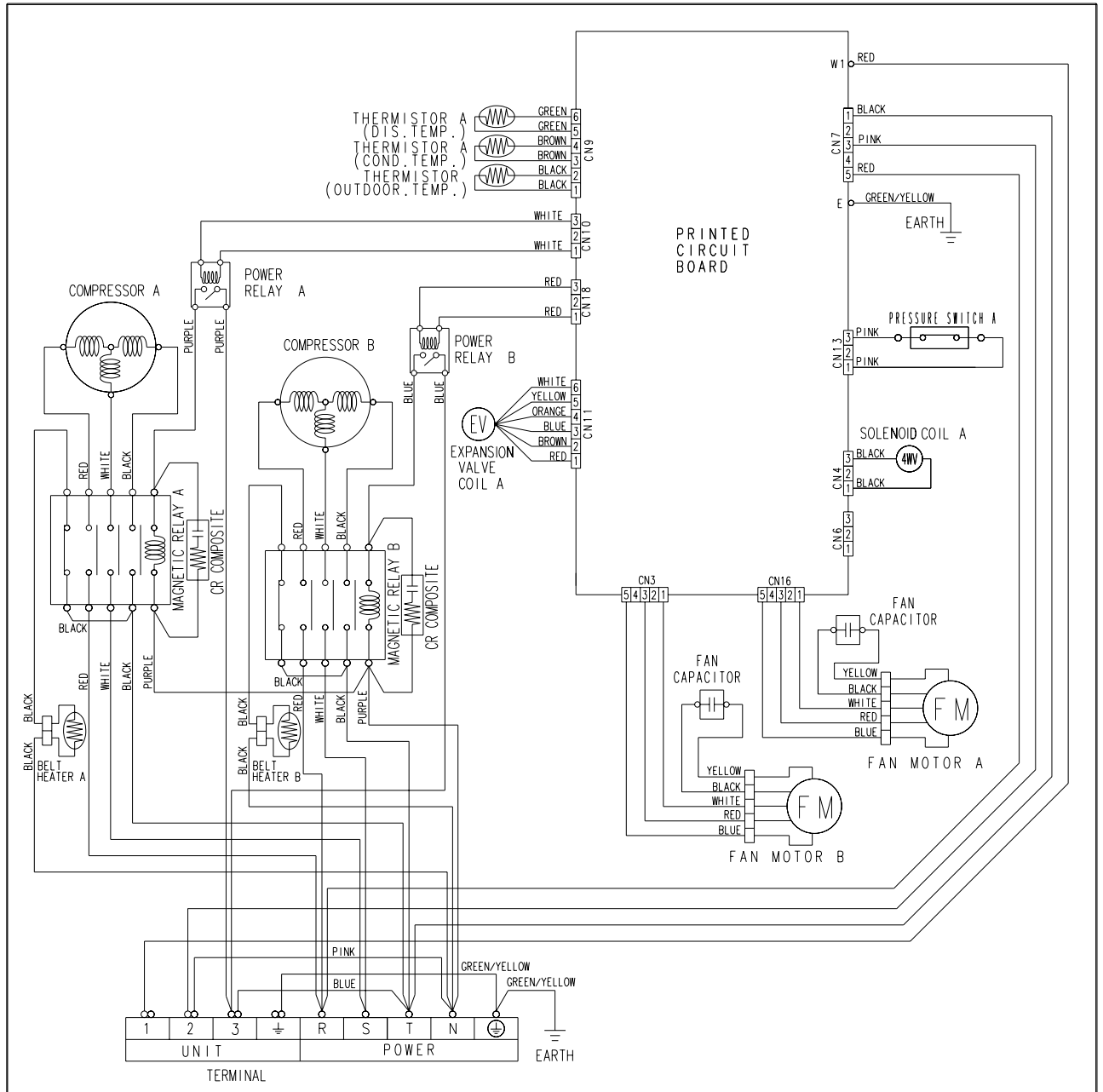
Model : AOY90EPA3L

■ COOLING



Model : AOY90TPA3L

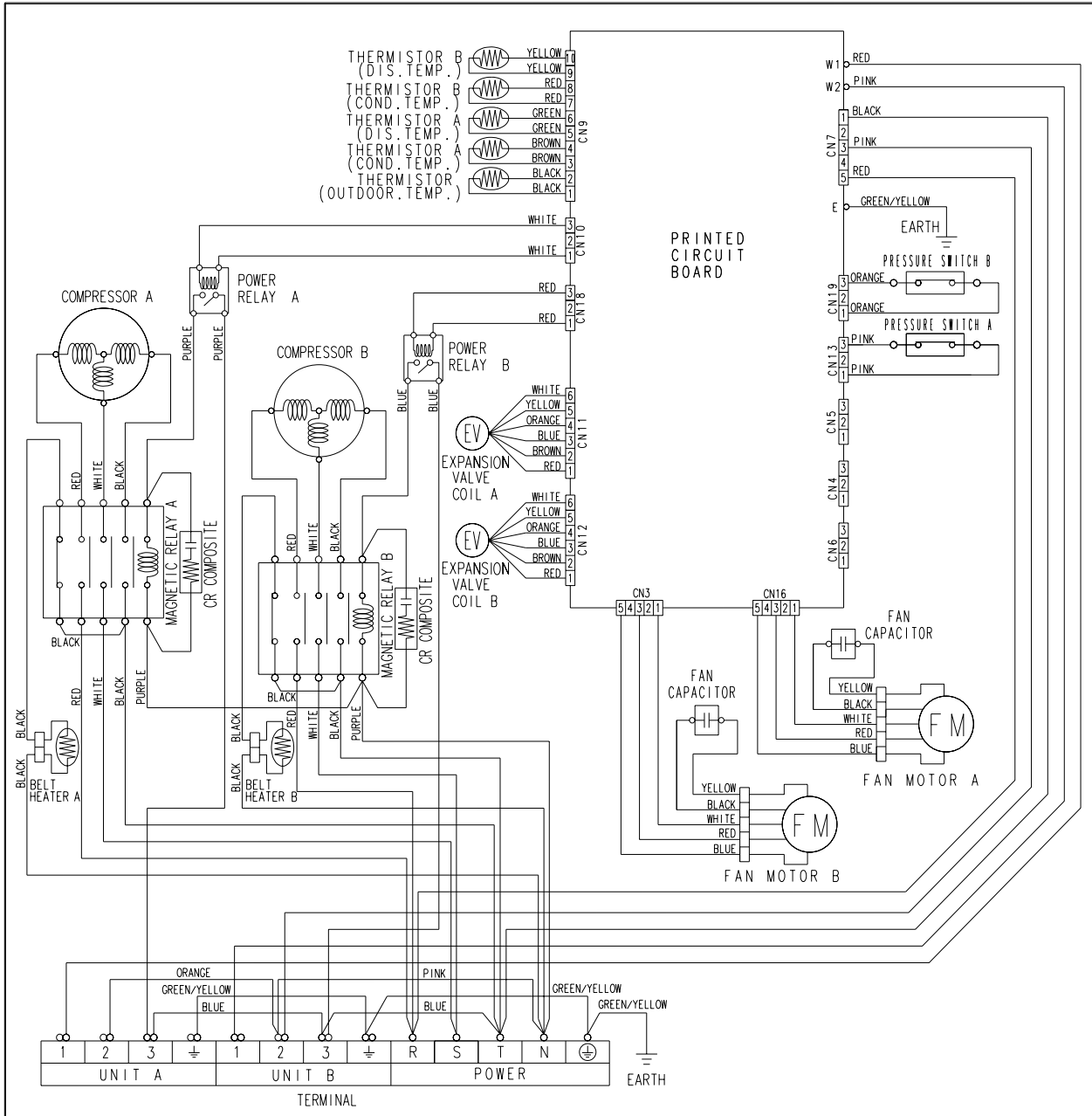
■ COOLING AND HEATING



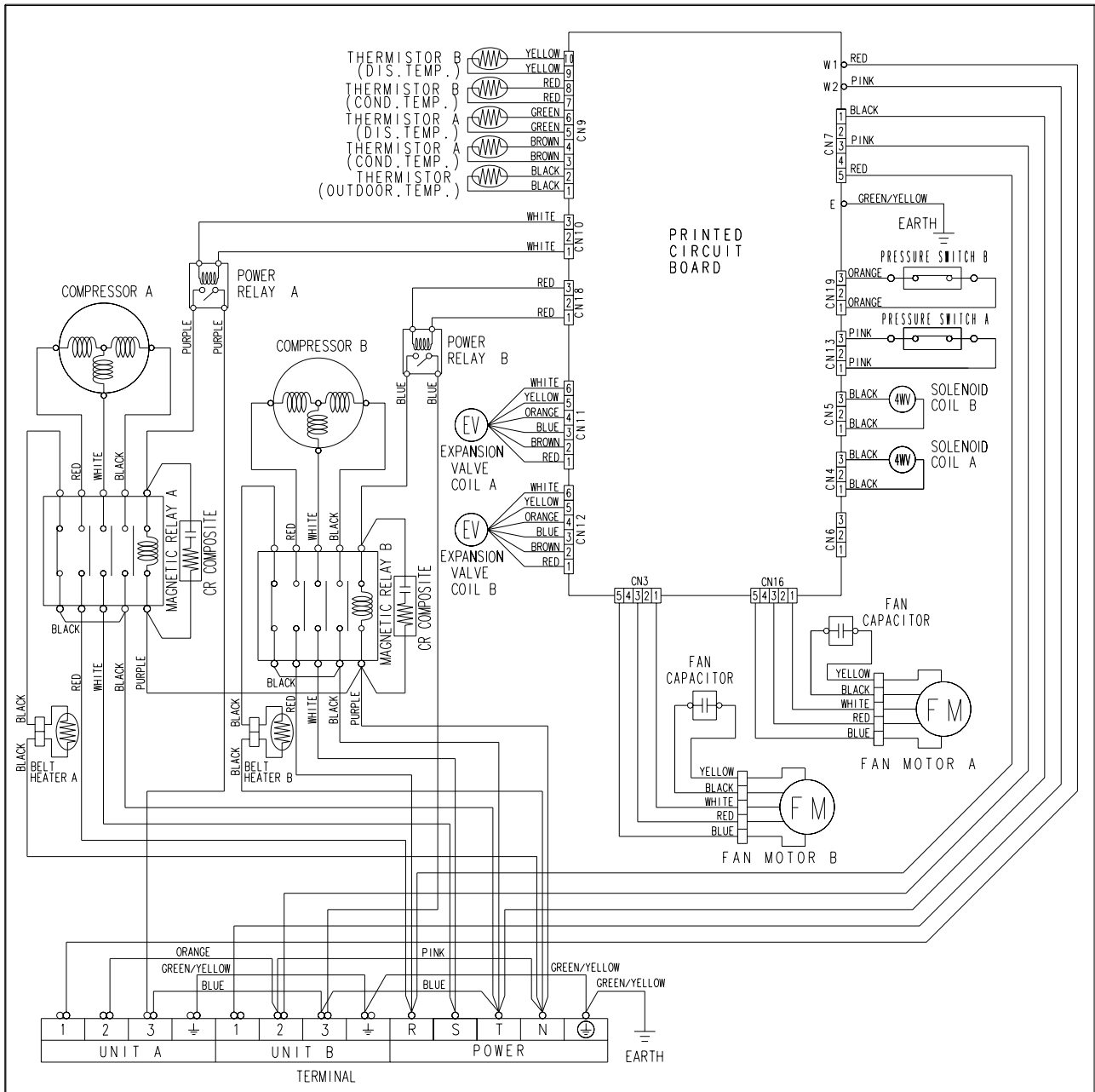
4.1.2 INDIVIDUAL OPERATION

Model : AOY90EPAMA

■ COOLING

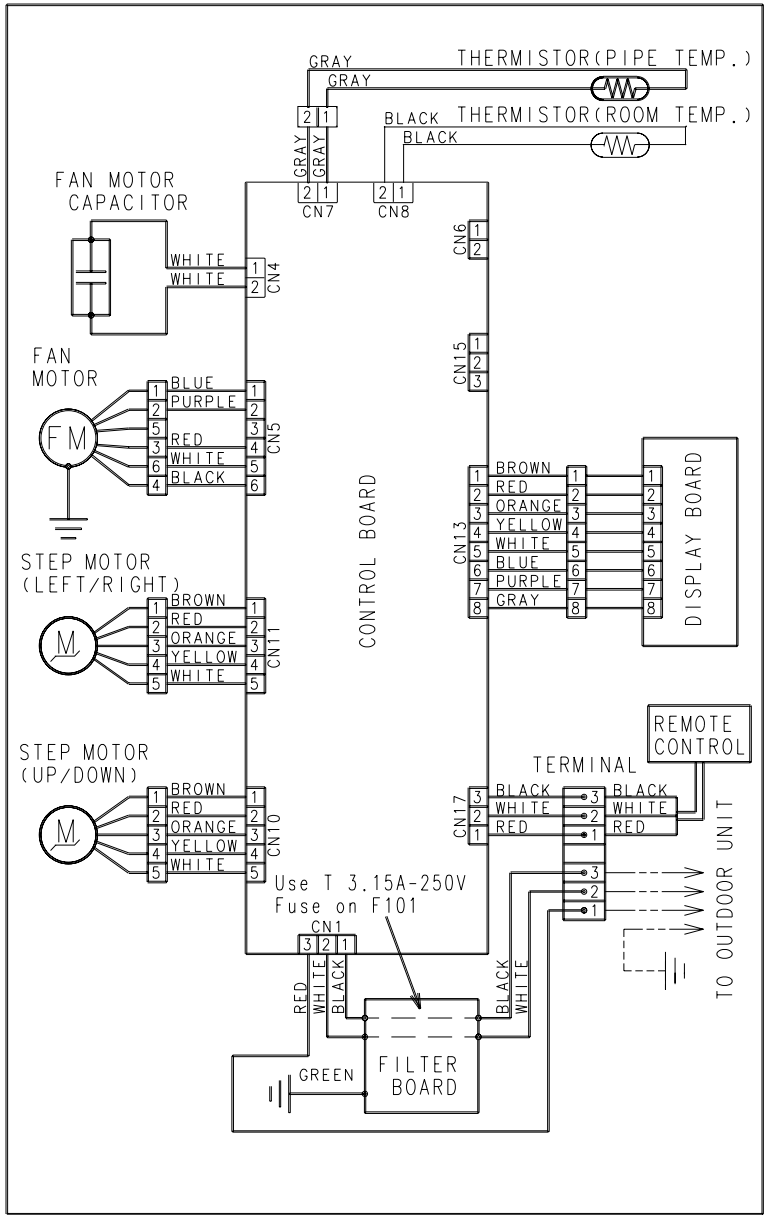


■ COOLING AND HEATING

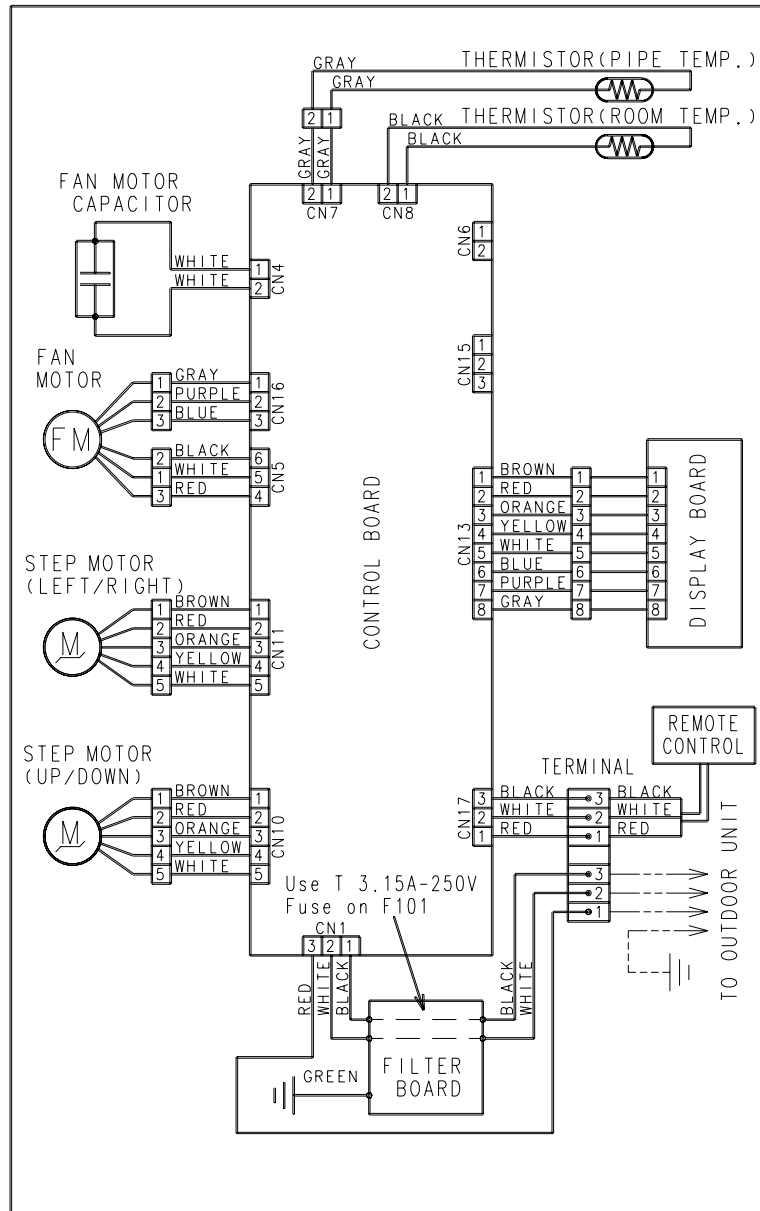


4.2 INDOOR UNIT

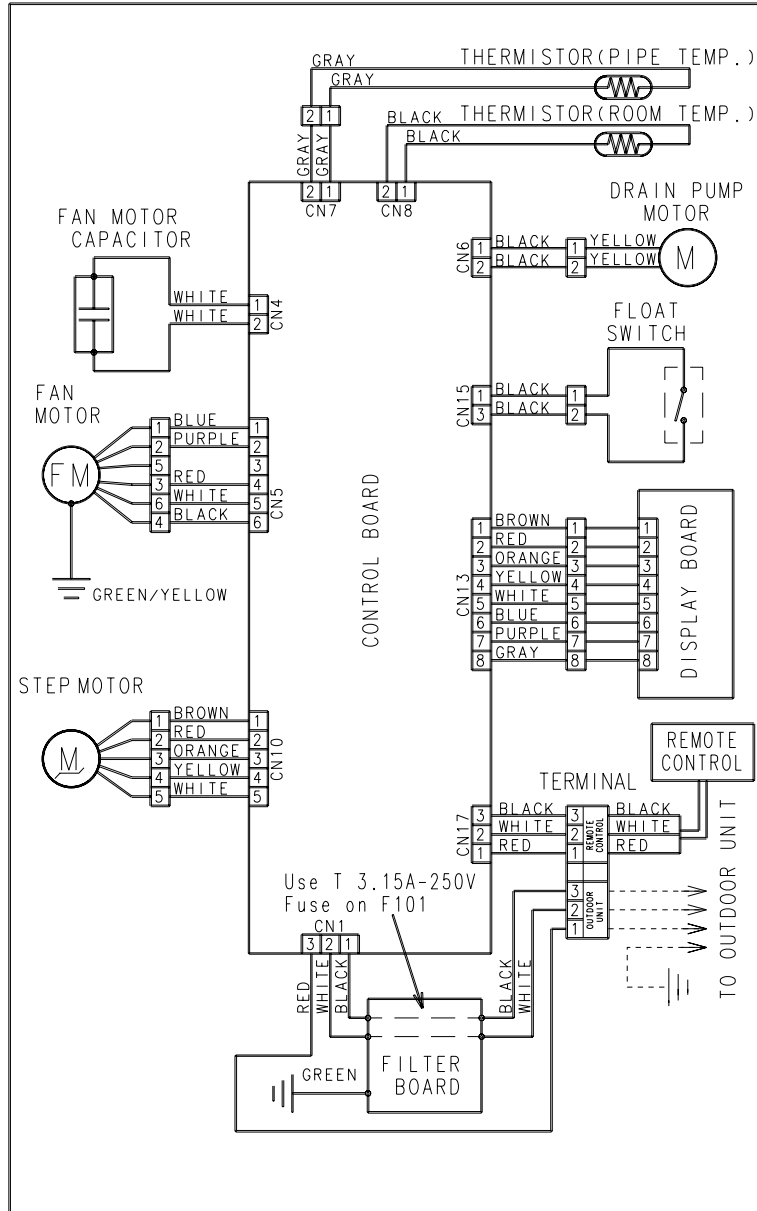
Models : ABY18TLAMA
 ABY24TLAMA



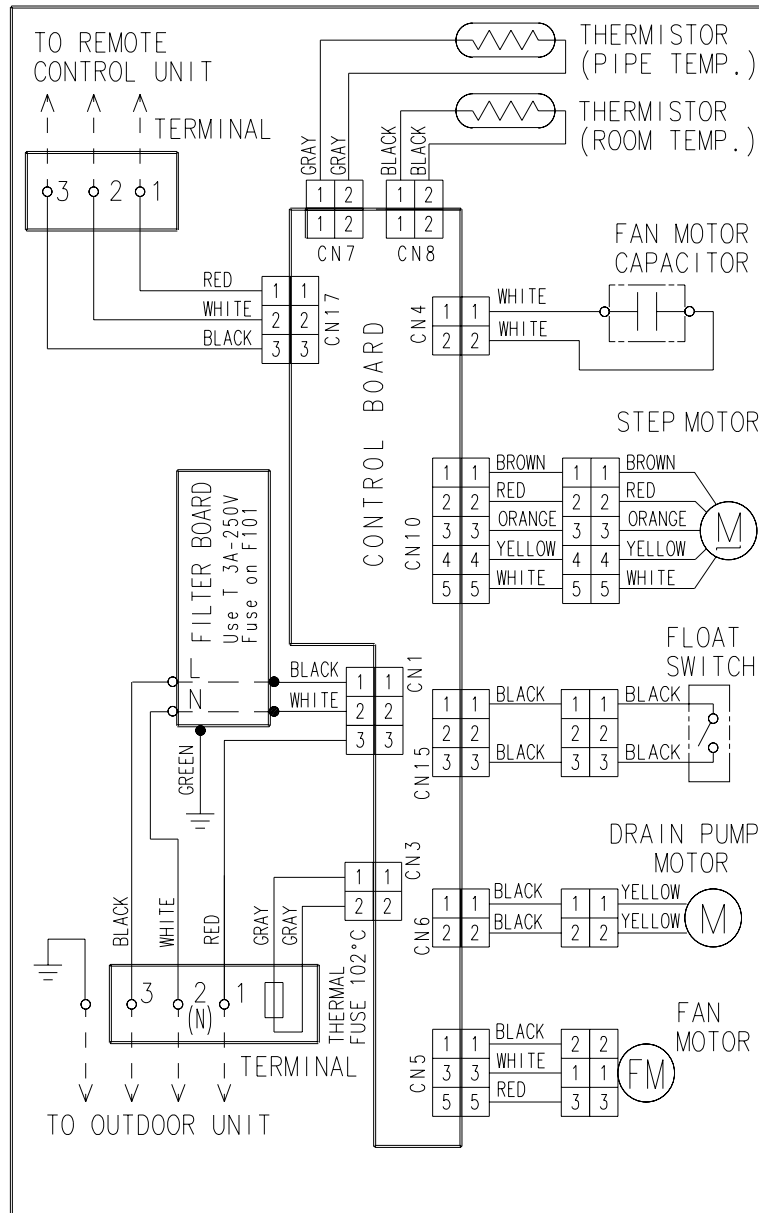
Models : ABY30TLAMA
 ABY36TLAMA
 ABY45TLAMA



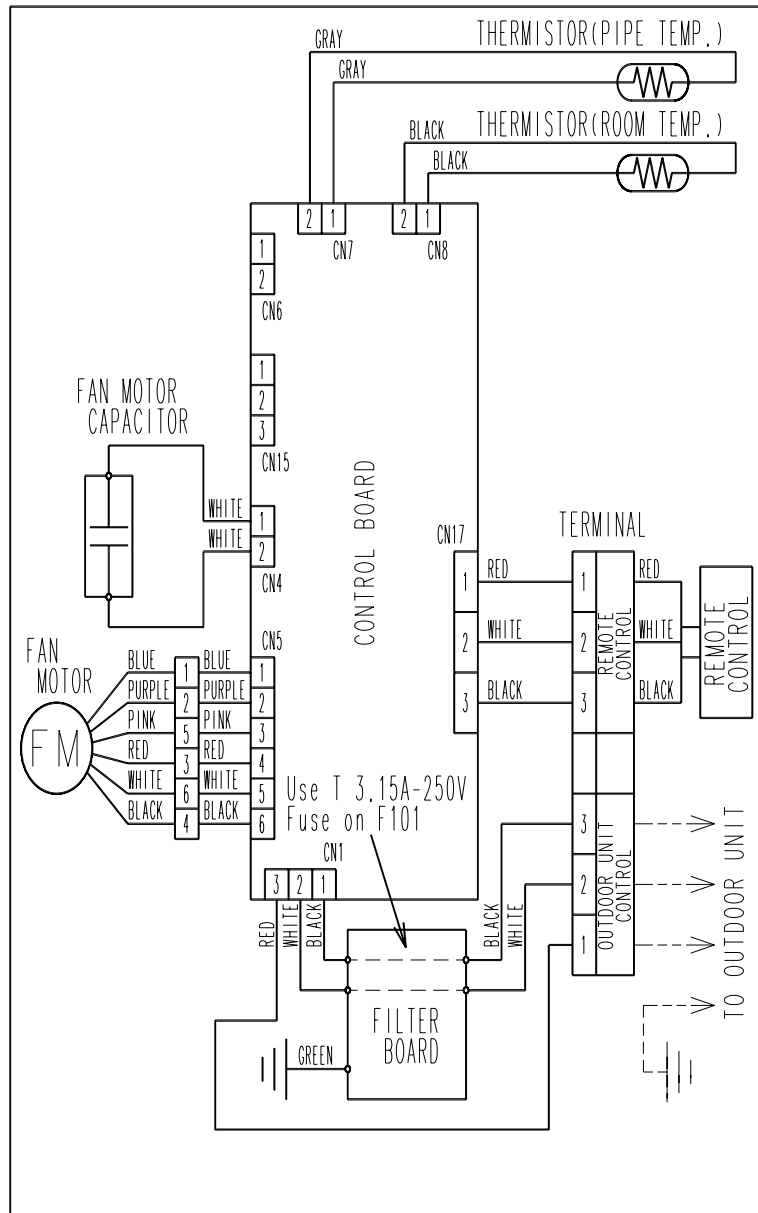
Model : AUY18TLAMA



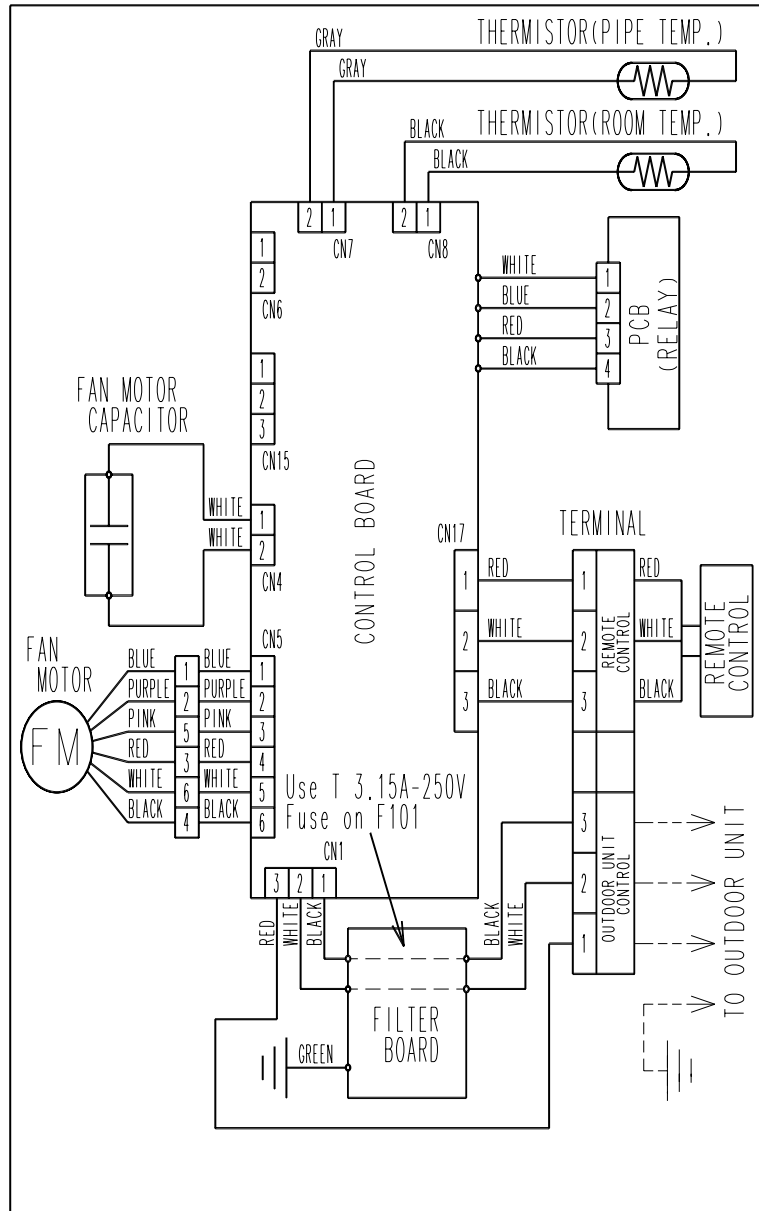
Models : AUY25TLAMA, AUY30TLAMA
 AUY36TLAMA, AUY45TLAMA



Model : ARY25TLAMA

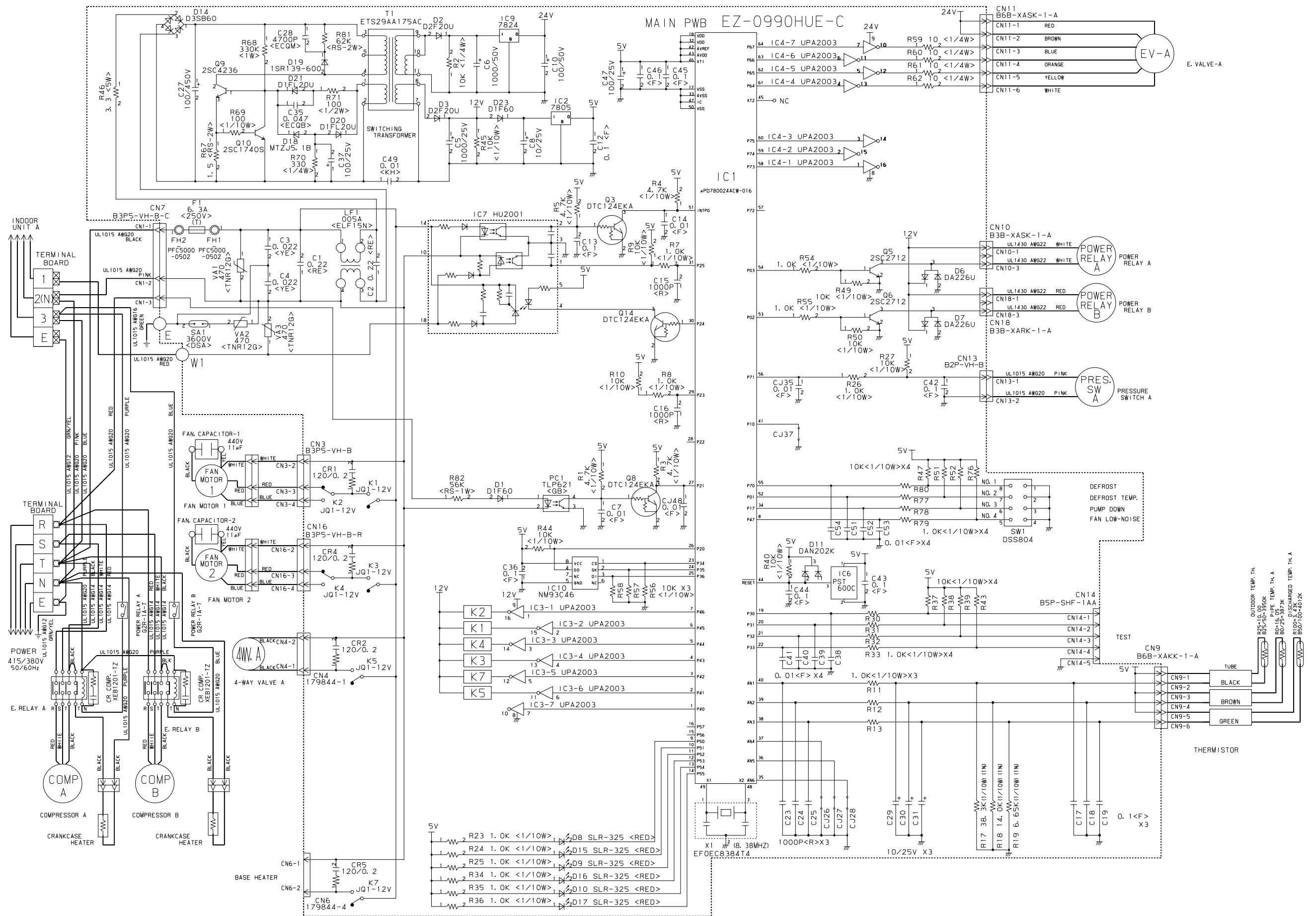


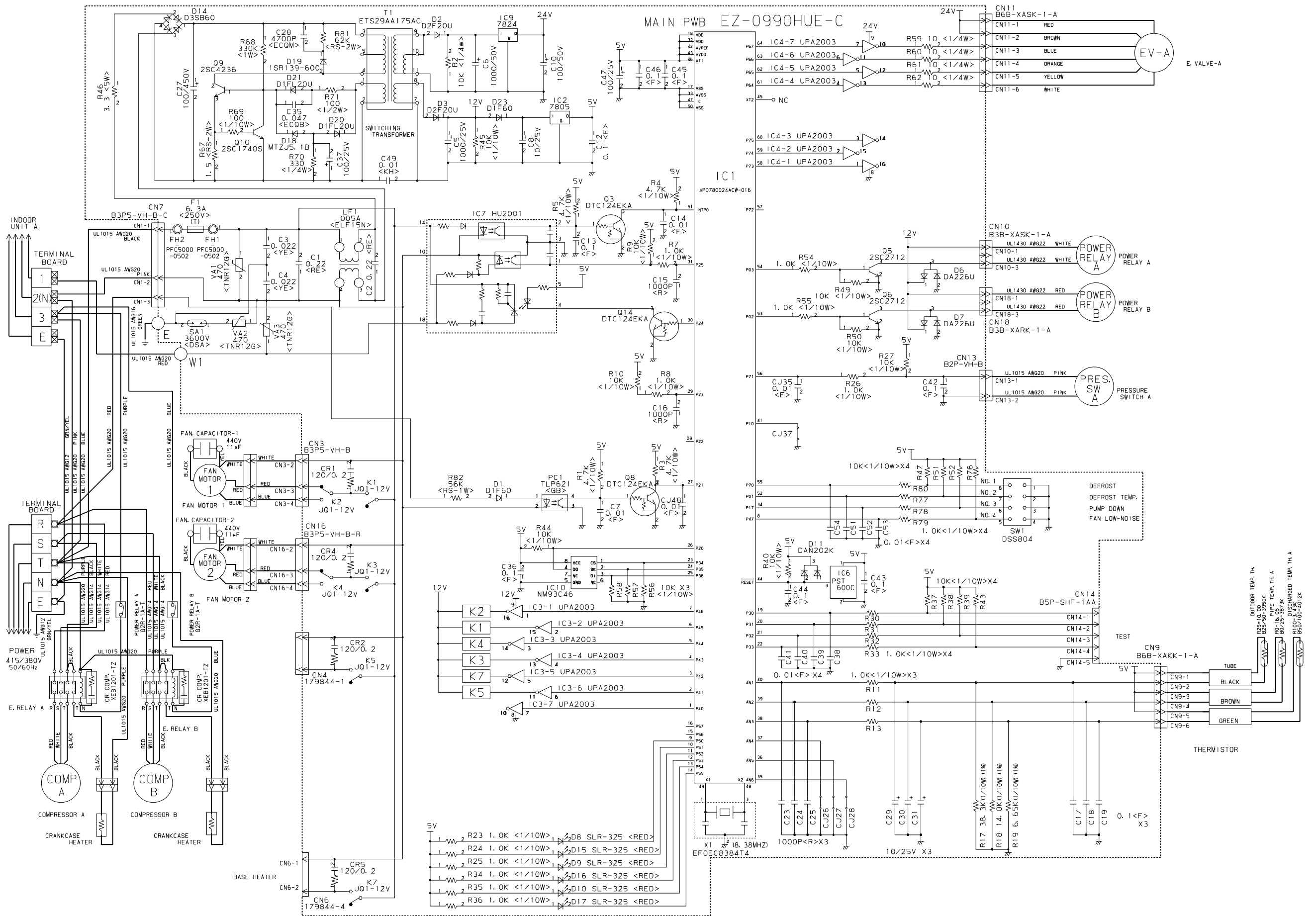
Models : ARY30TLAMA
 ARY36TLAMA
 ARY45TLAMA

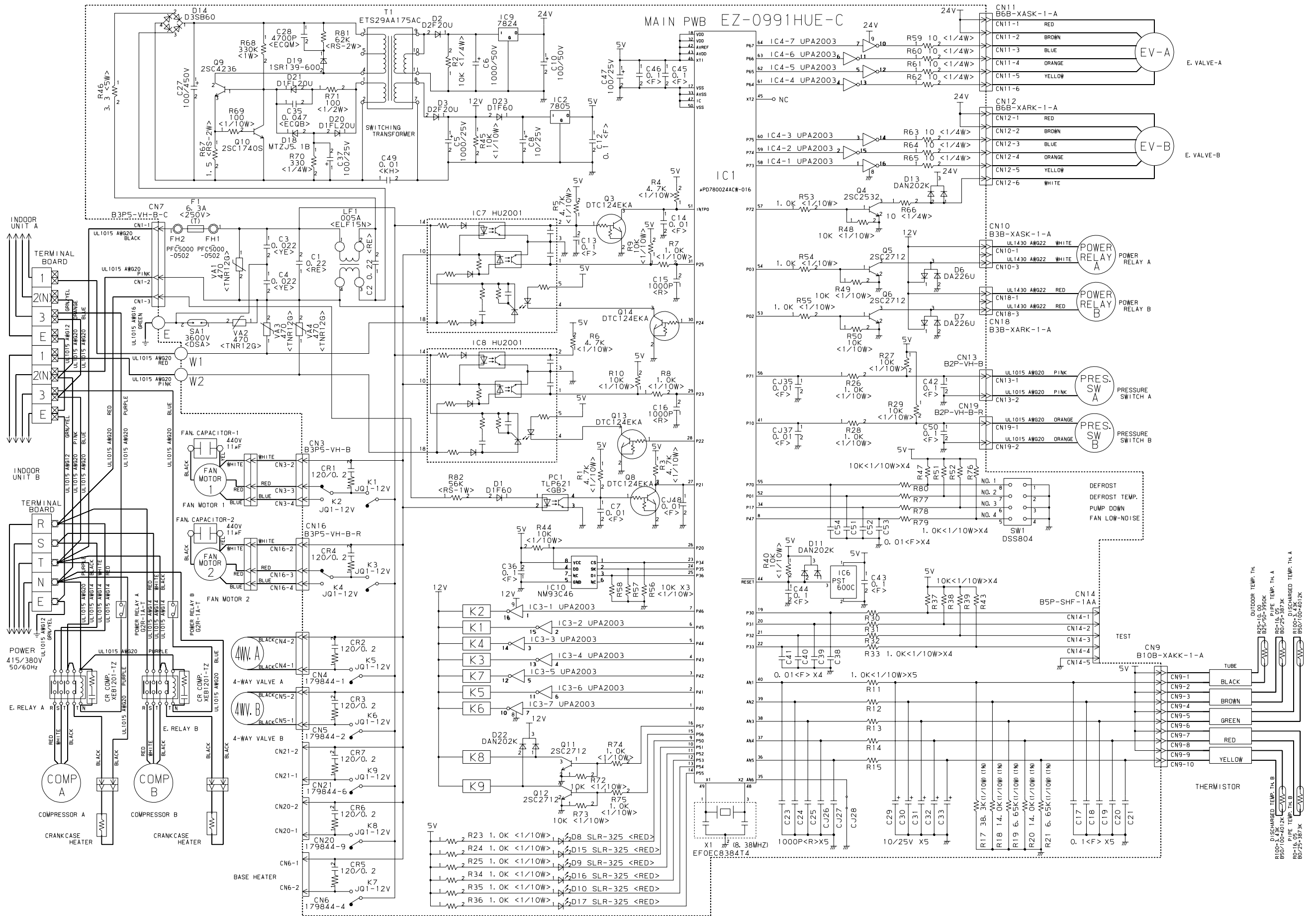


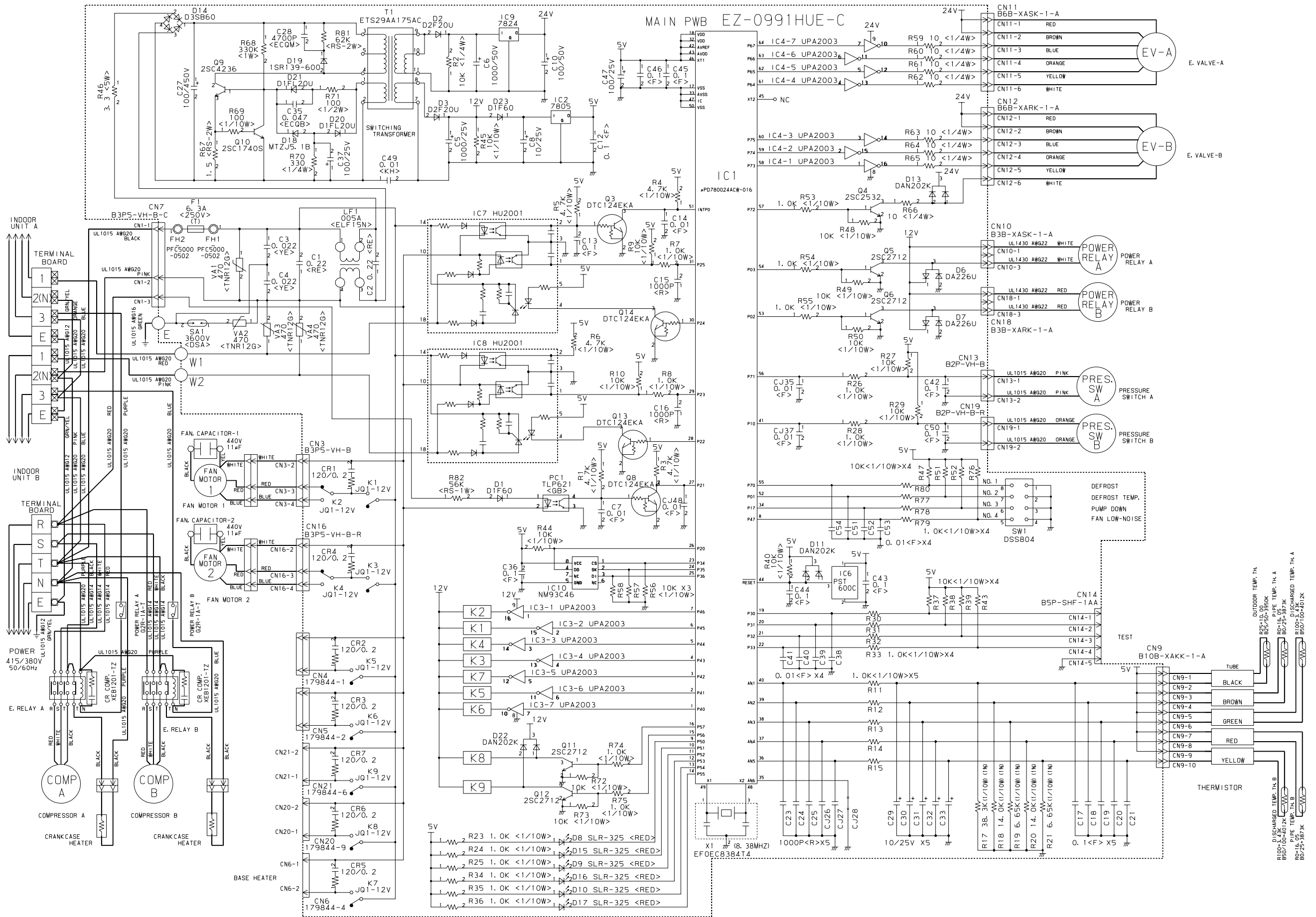
6. OUTDOOR PRINTED CIRCUIT BOARD CIRCUIT DIAGRAM

Model : AOY90TPA3L



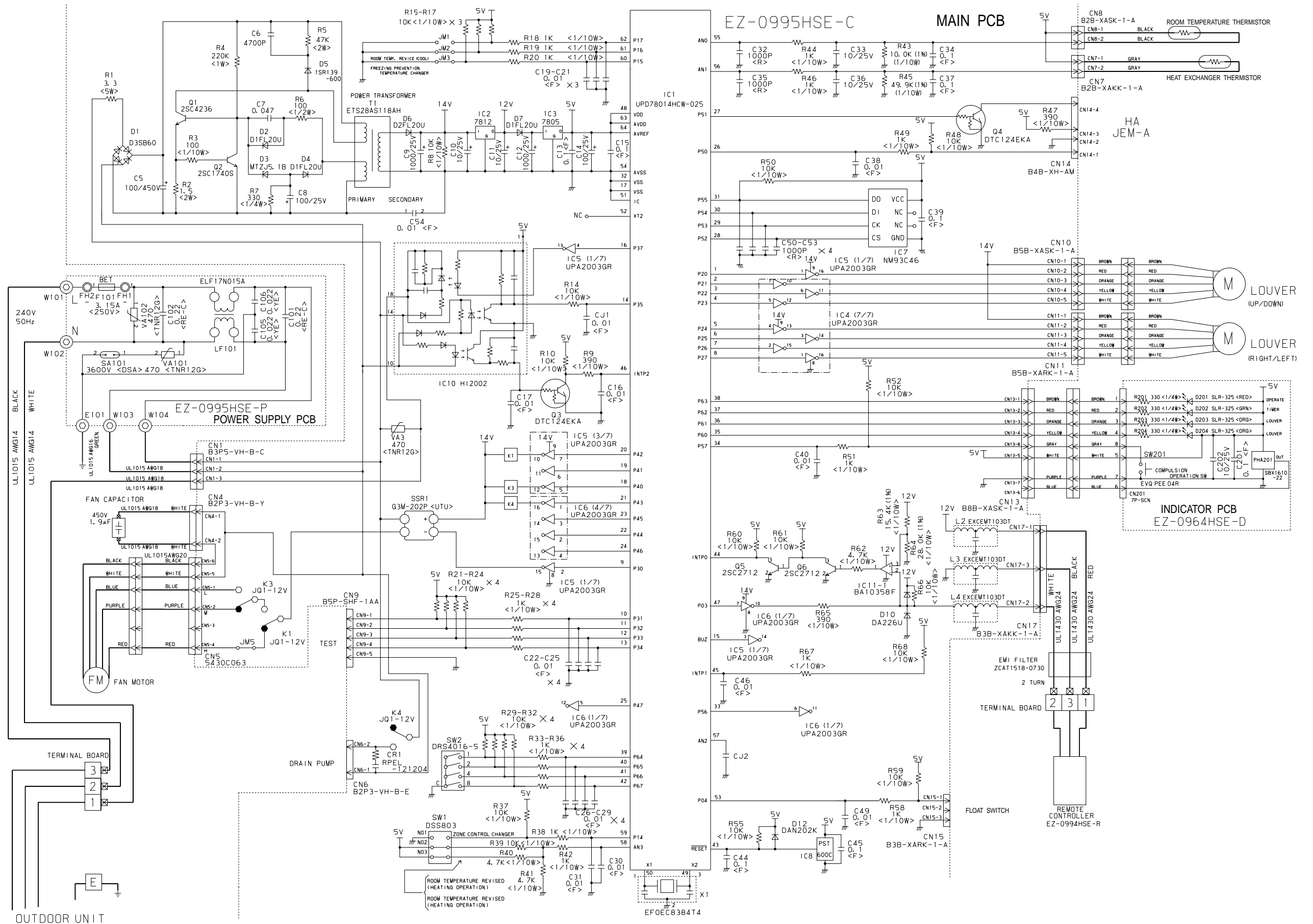


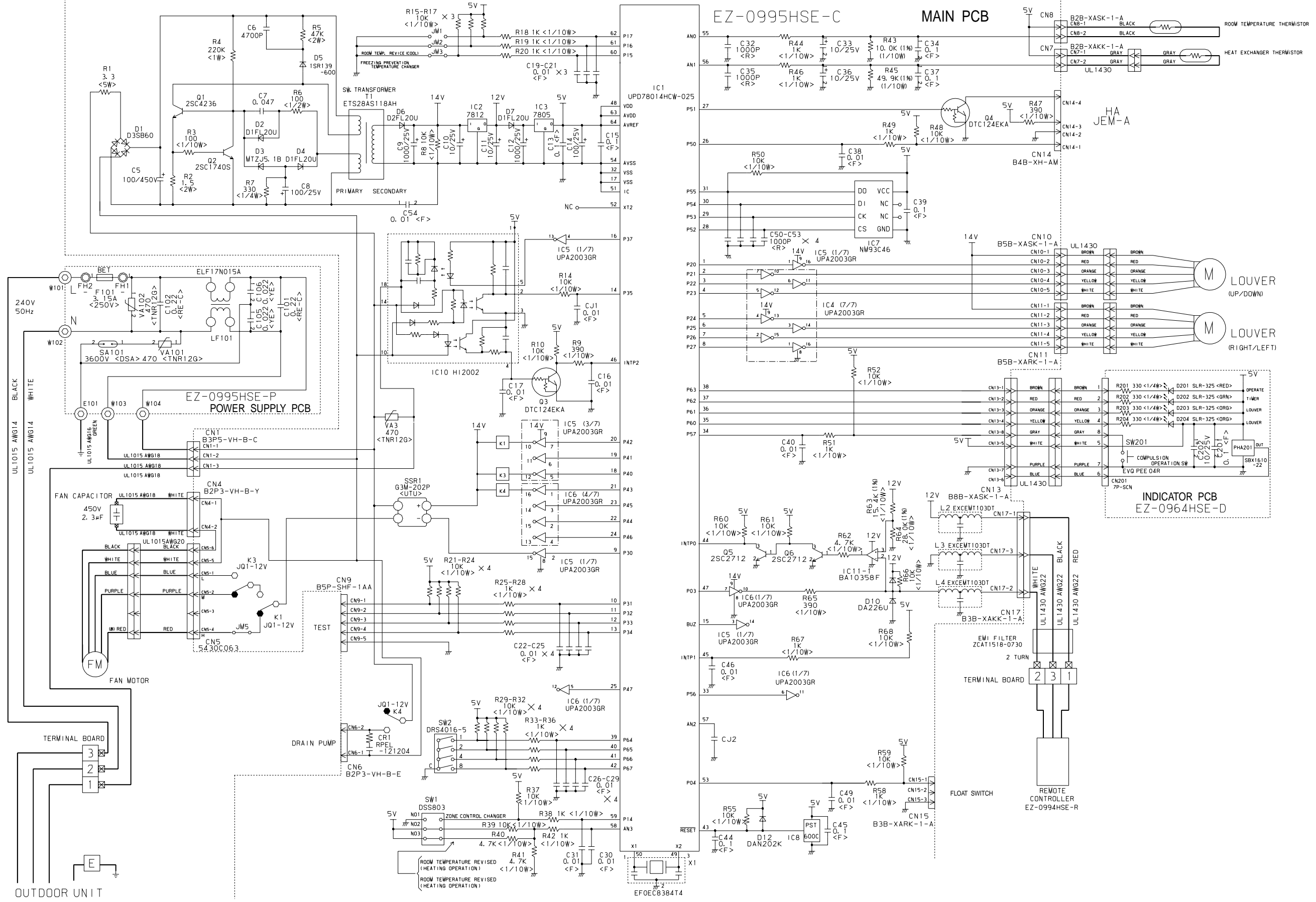




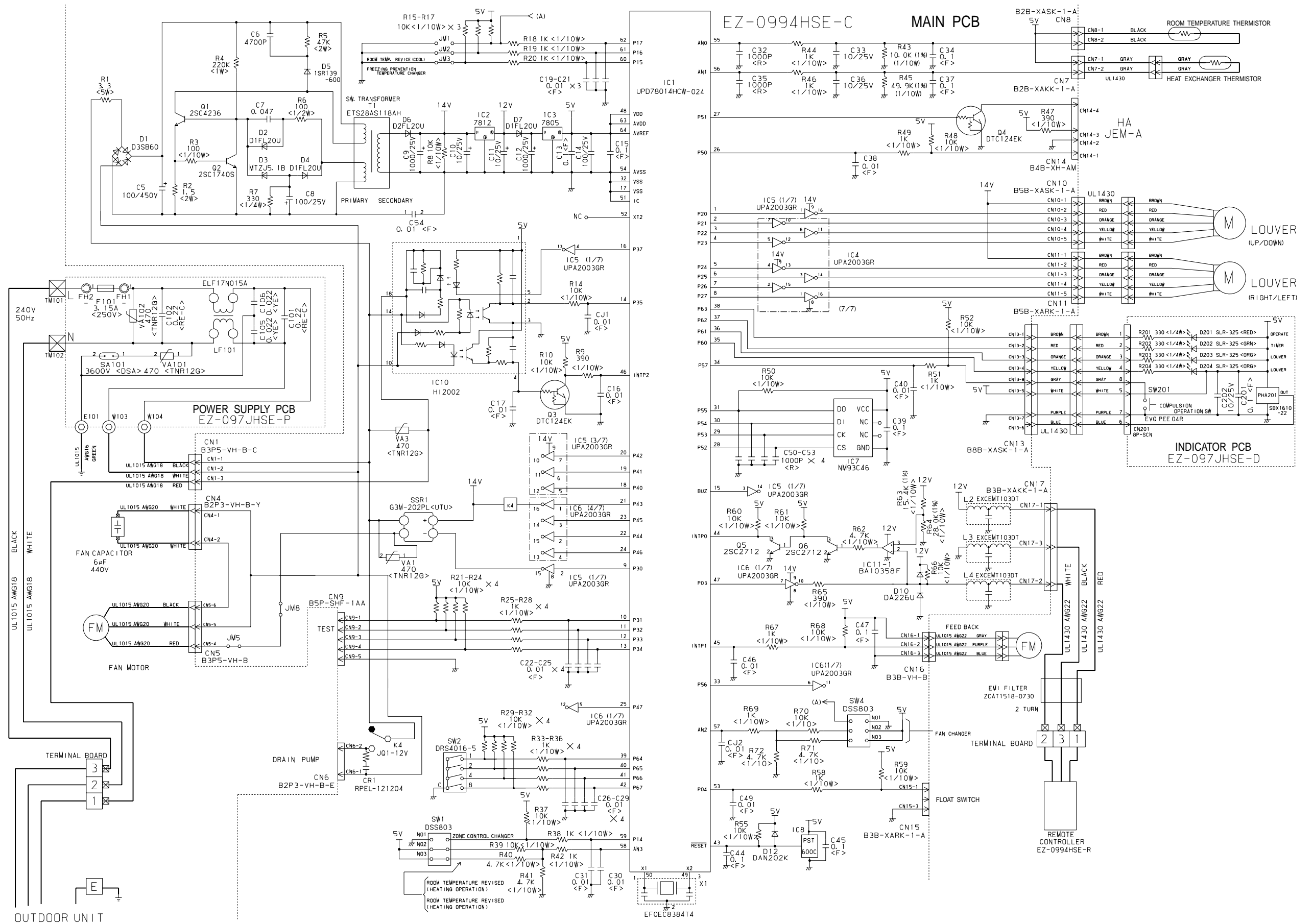
7. INDOOR PRINTED CIRCUIT BOARD CIRCUIT DIAGRAM

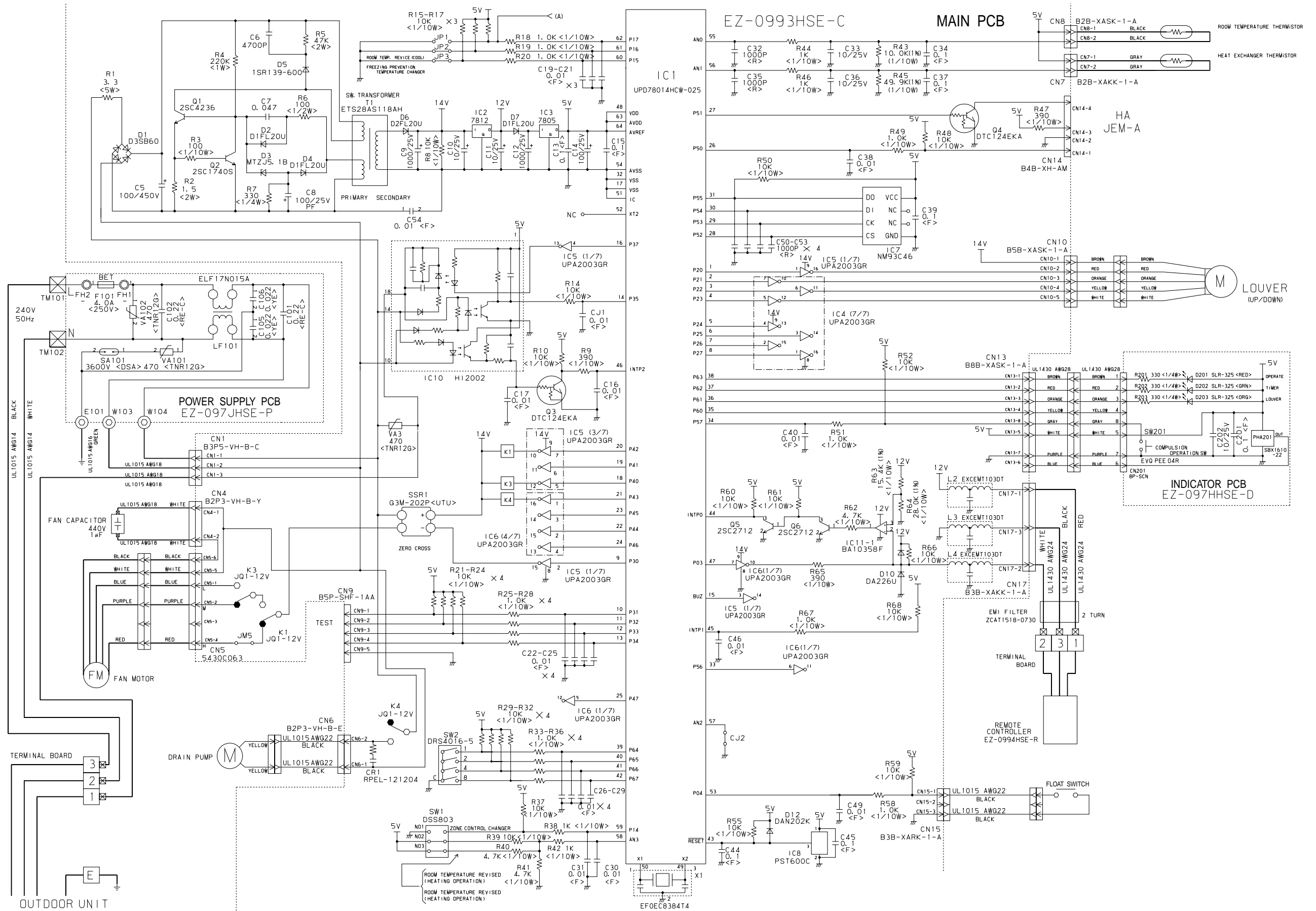
Model : ABY18TLAMA



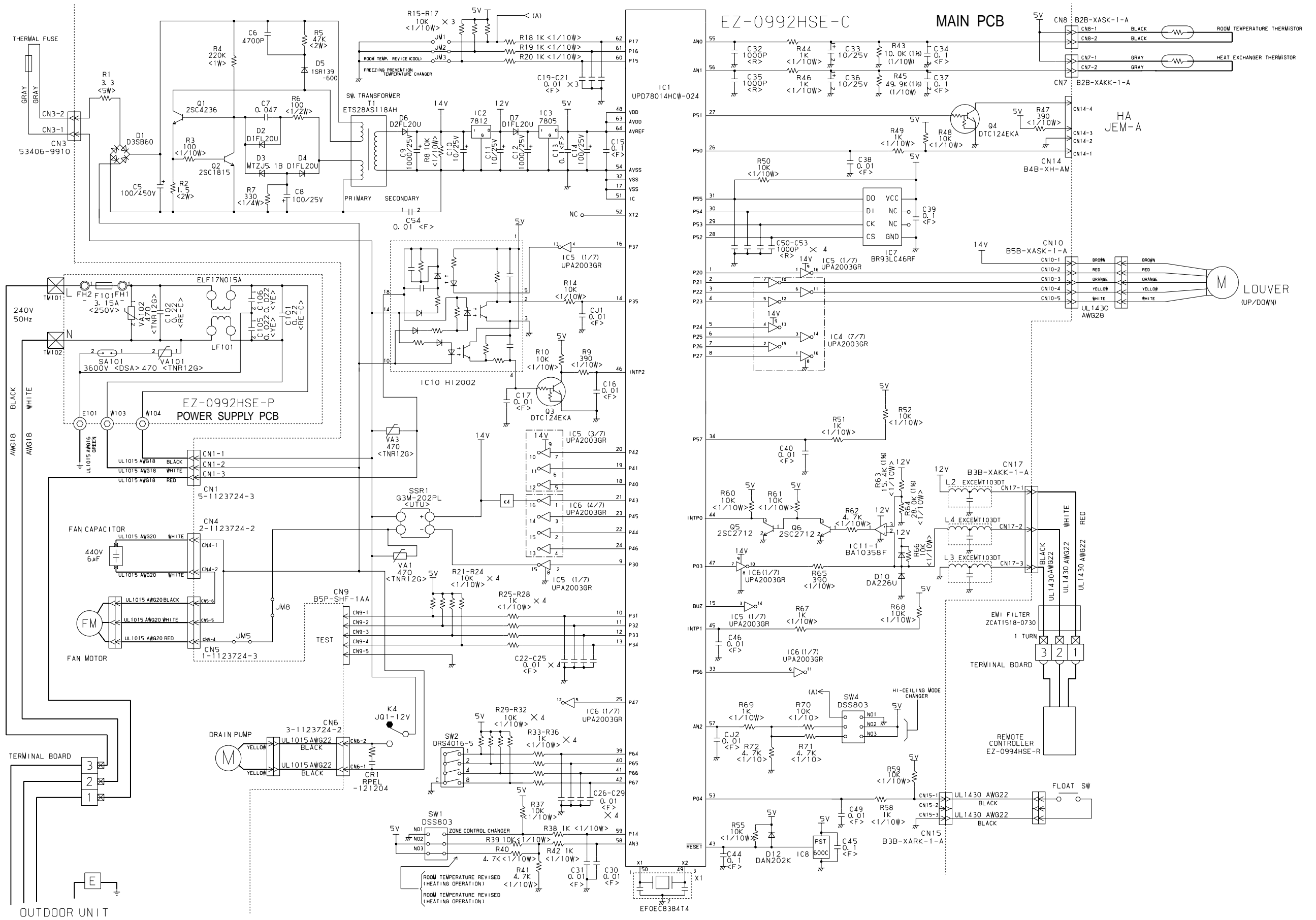


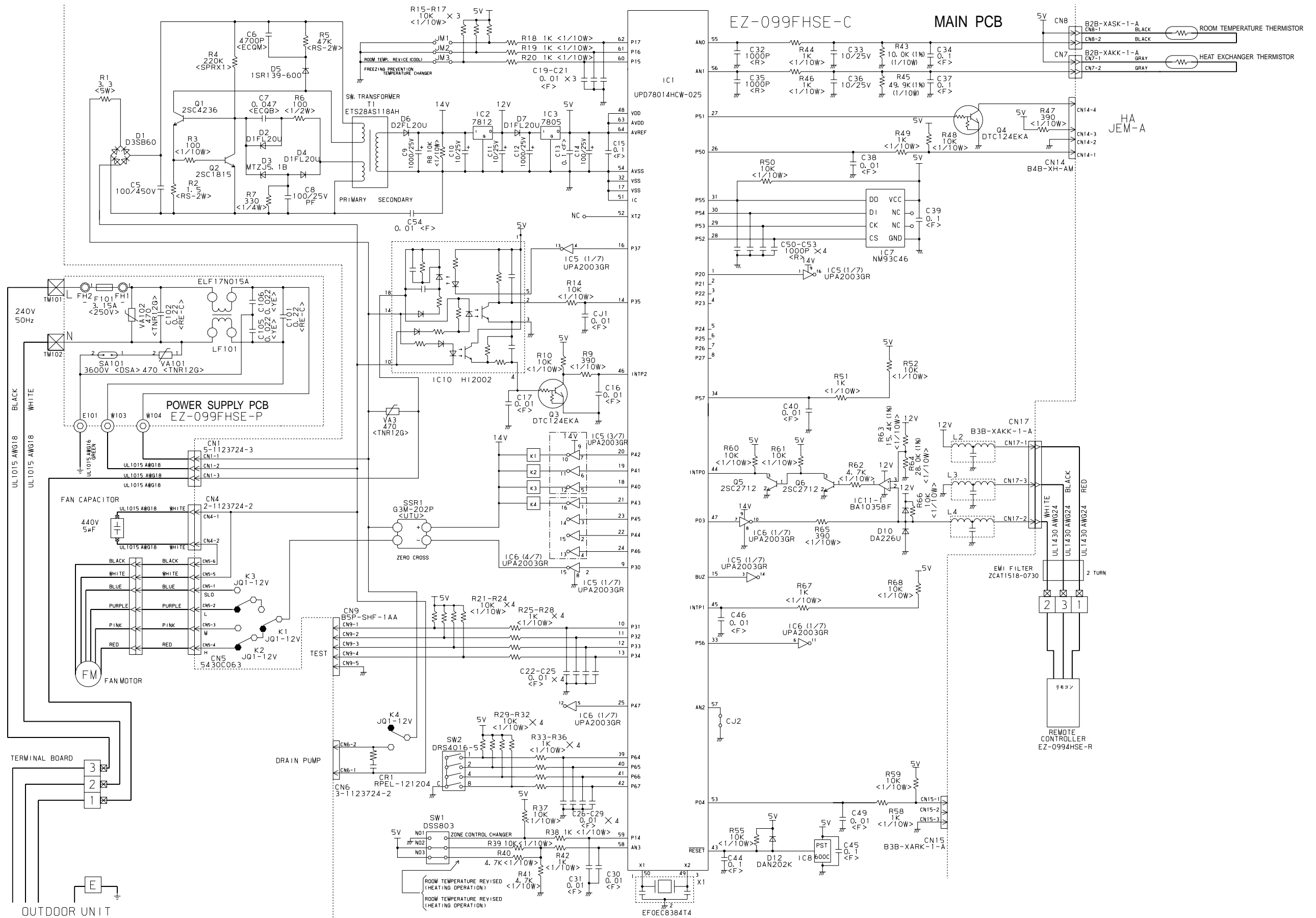
Models : ABY30TLAMA
 ABY36TLAMA
 ABY45TLAMA



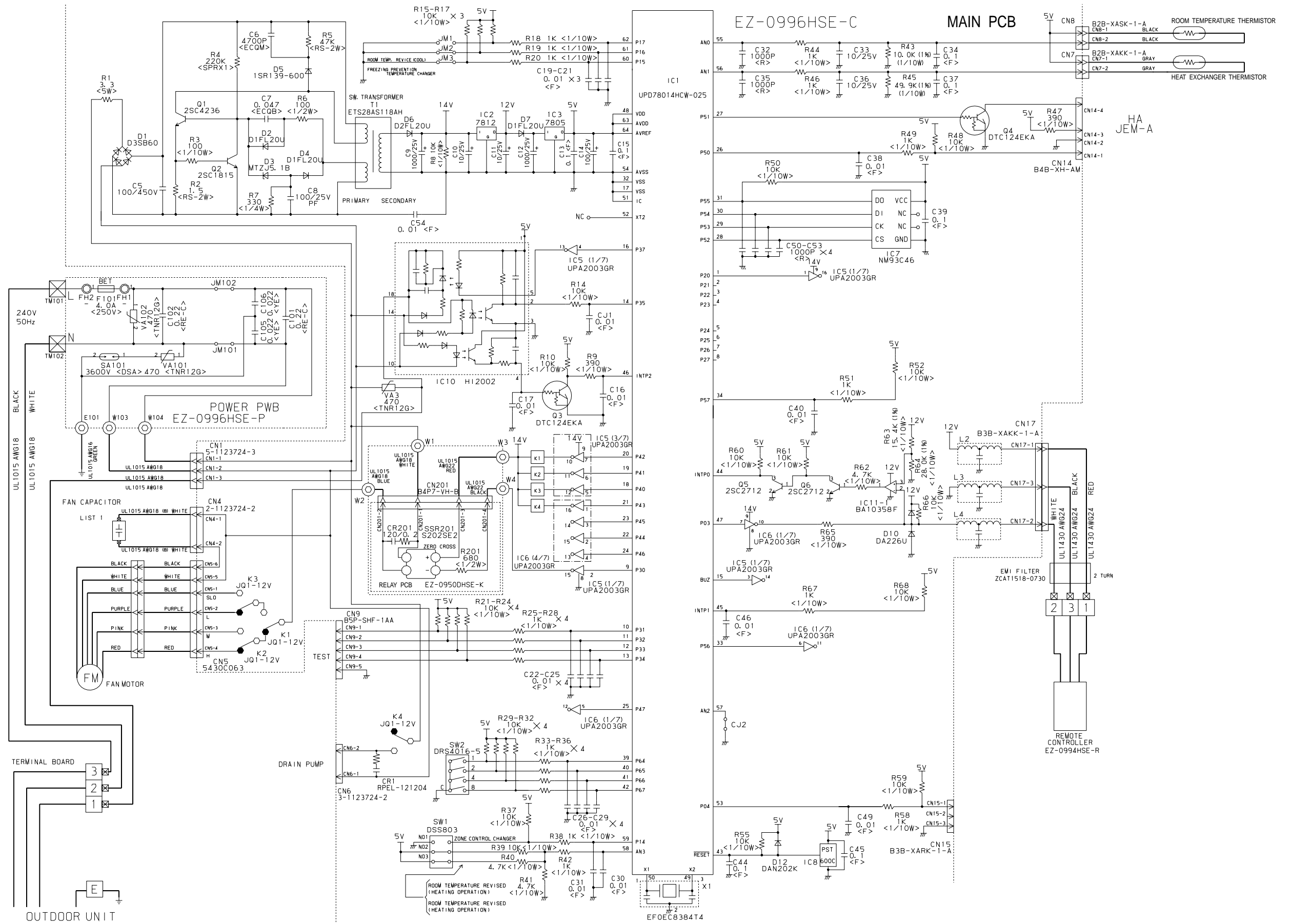


Models : AUY25TLAMA, AUY30TLAMA
AUY36TLAMA, AUY45TLAMA





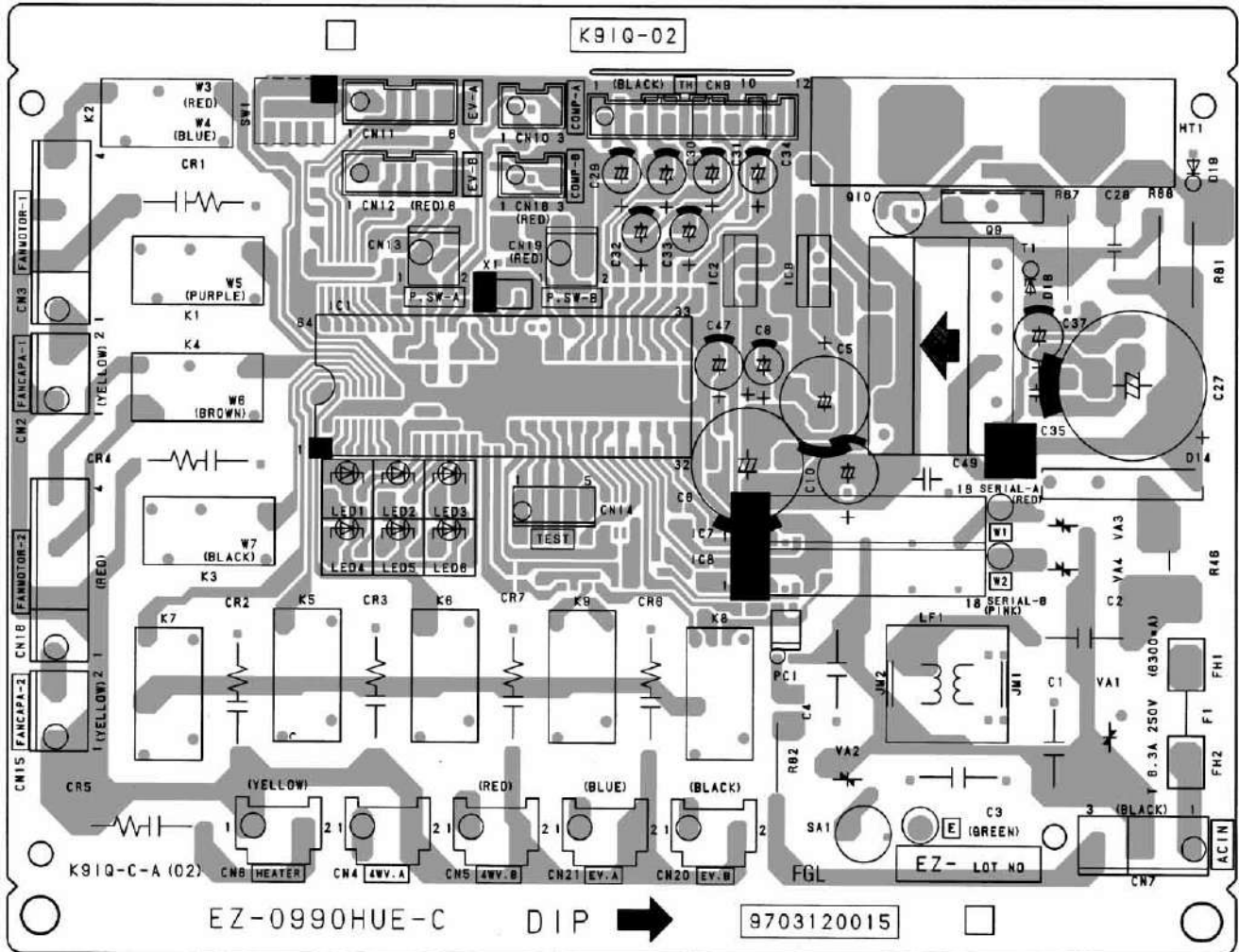
Models : ARY30TLAMA
 ARY36TLAMA
 ARY45TLAMA



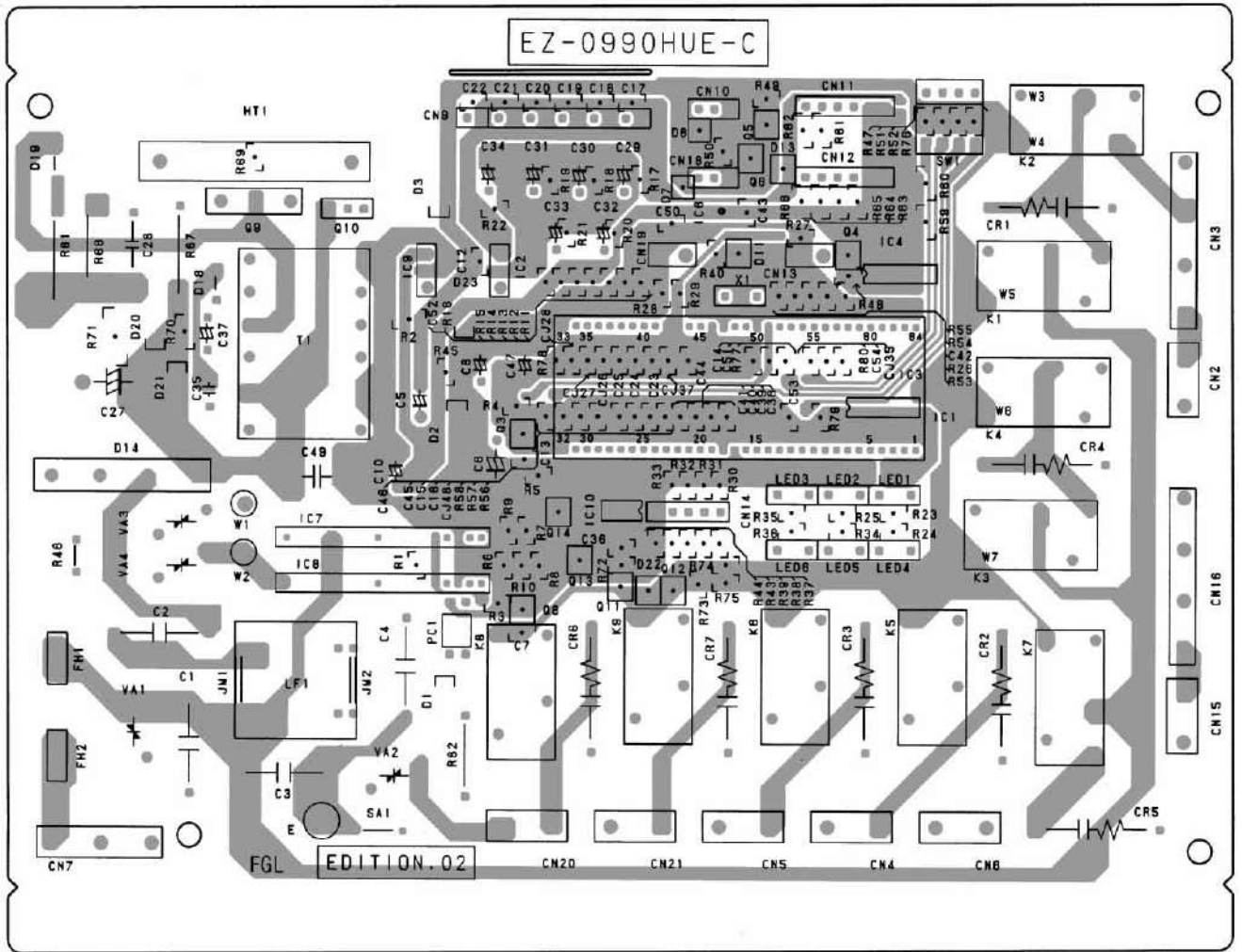
5. PRINTED CIRCUIT BOARD LAYOUTS

5.1 OUTDOOR UNIT

(Top View)



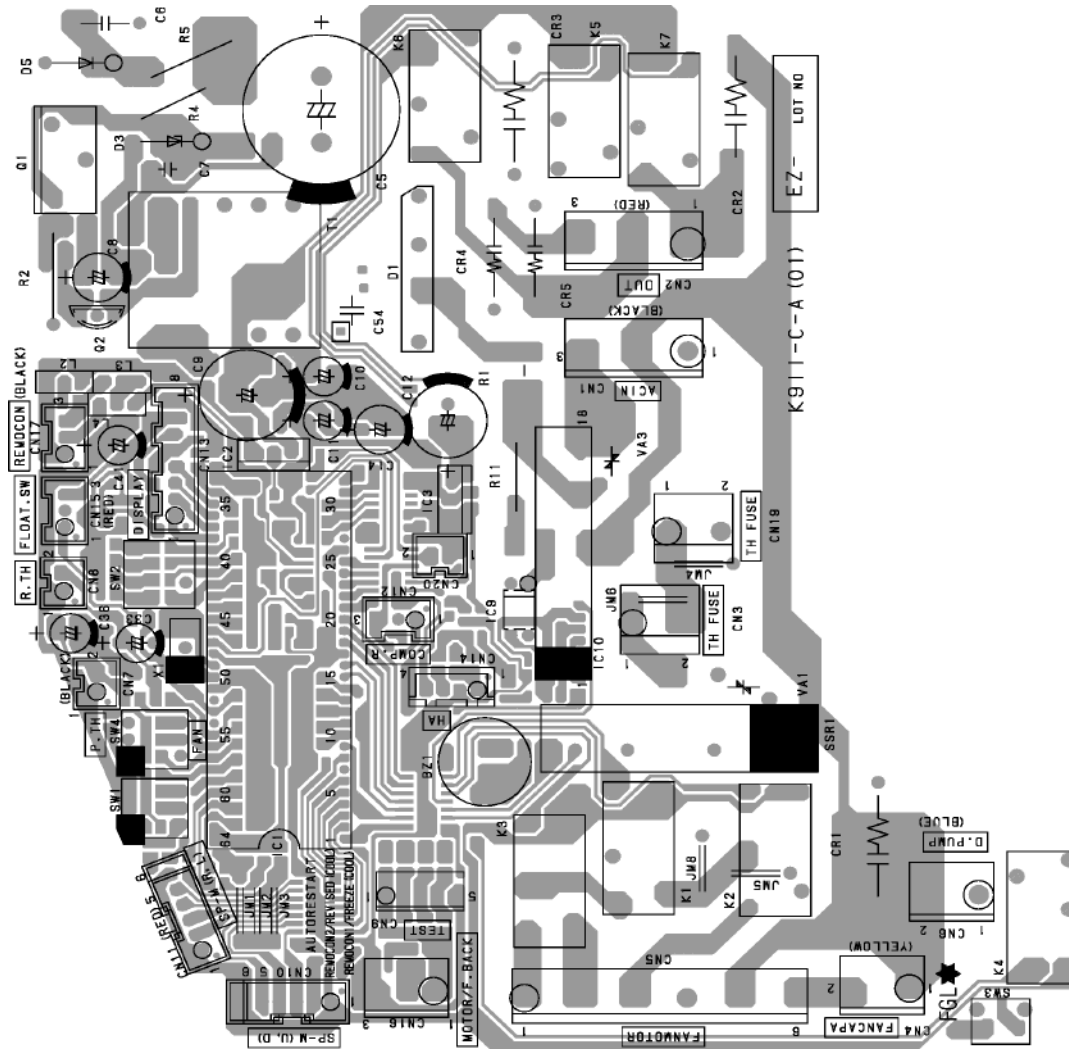
(Bottom View)



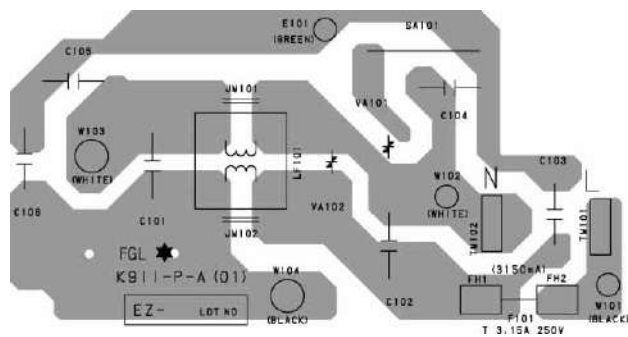
5.2 INDOOR UNIT

Models : ABY18, 24, 30, 36, 45TLAMA
 AUY18, 25, 30, 36, 45TLAMA
 ARY25, 30, 36, 45TLAMA

CONTROLLER PCB ASSEMBLY (MAIN PCB) (Top View)

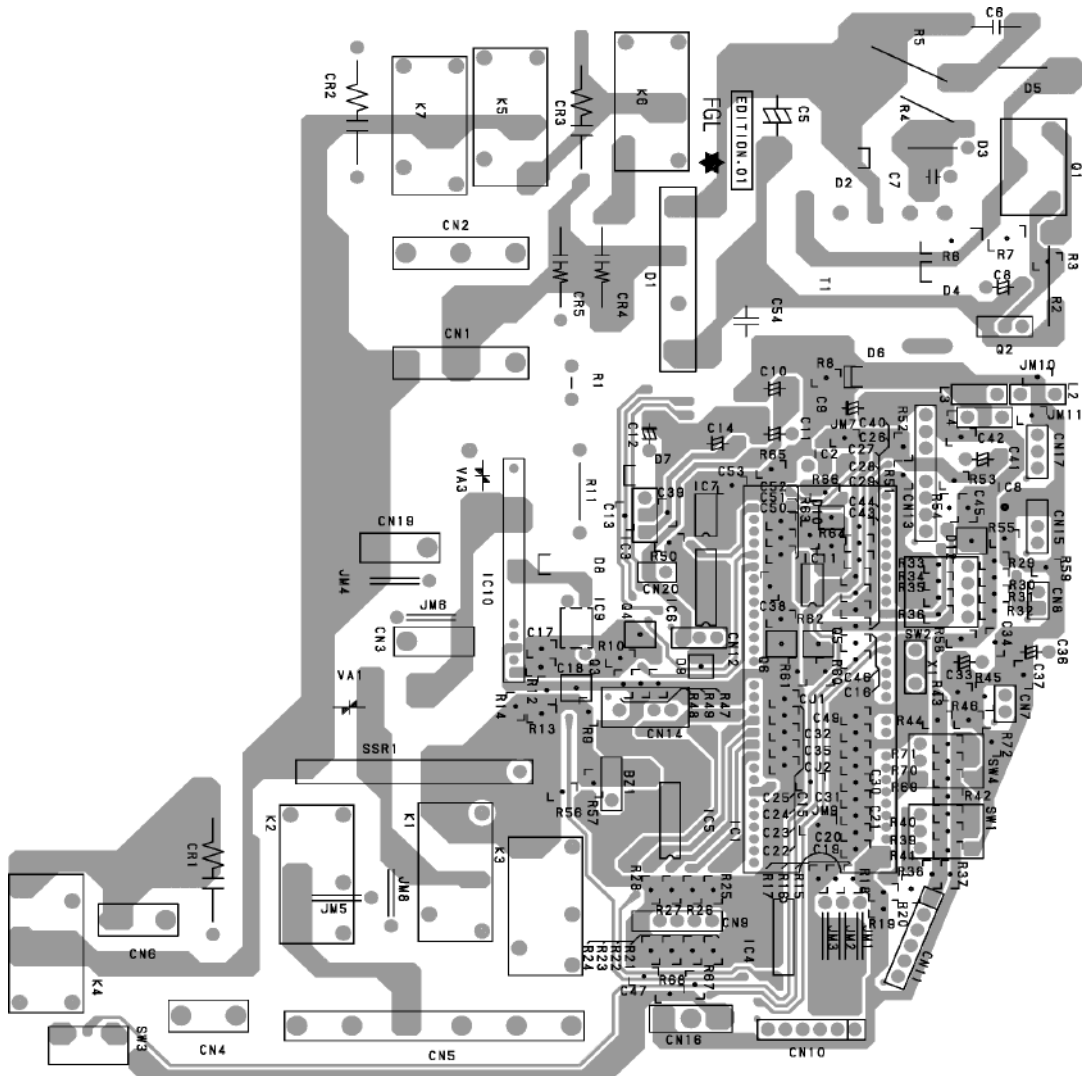


FILTER PCB ASSEMBLY (Top View)



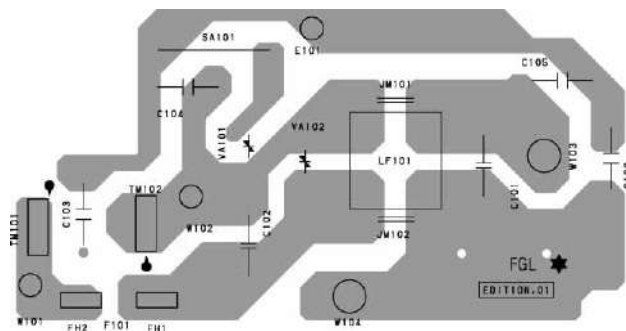
CONTROLLER PCB ASSEMBLY (MAIN PCB)

(Bottom View)



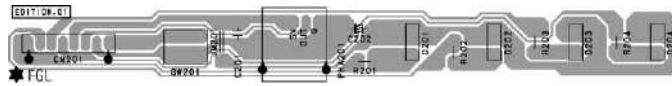
FILTER PCB ASSEMBLY

(Bottom View)



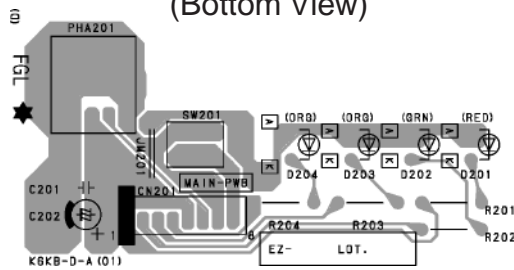
Models : AUJ18TLAMA
ABY30TLAMA
ABY36TLAMA
ABY45TLAMA

INDICATOR PCB ASSEMBLY (Bottom View)



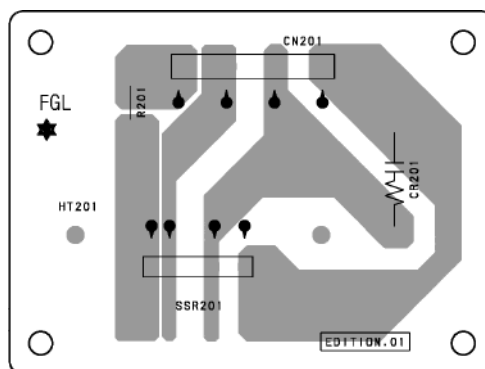
Models : ABY18TLAMA
ABY24TLAMA

INDICATOR PCB ASSEMBLY (Bottom View)



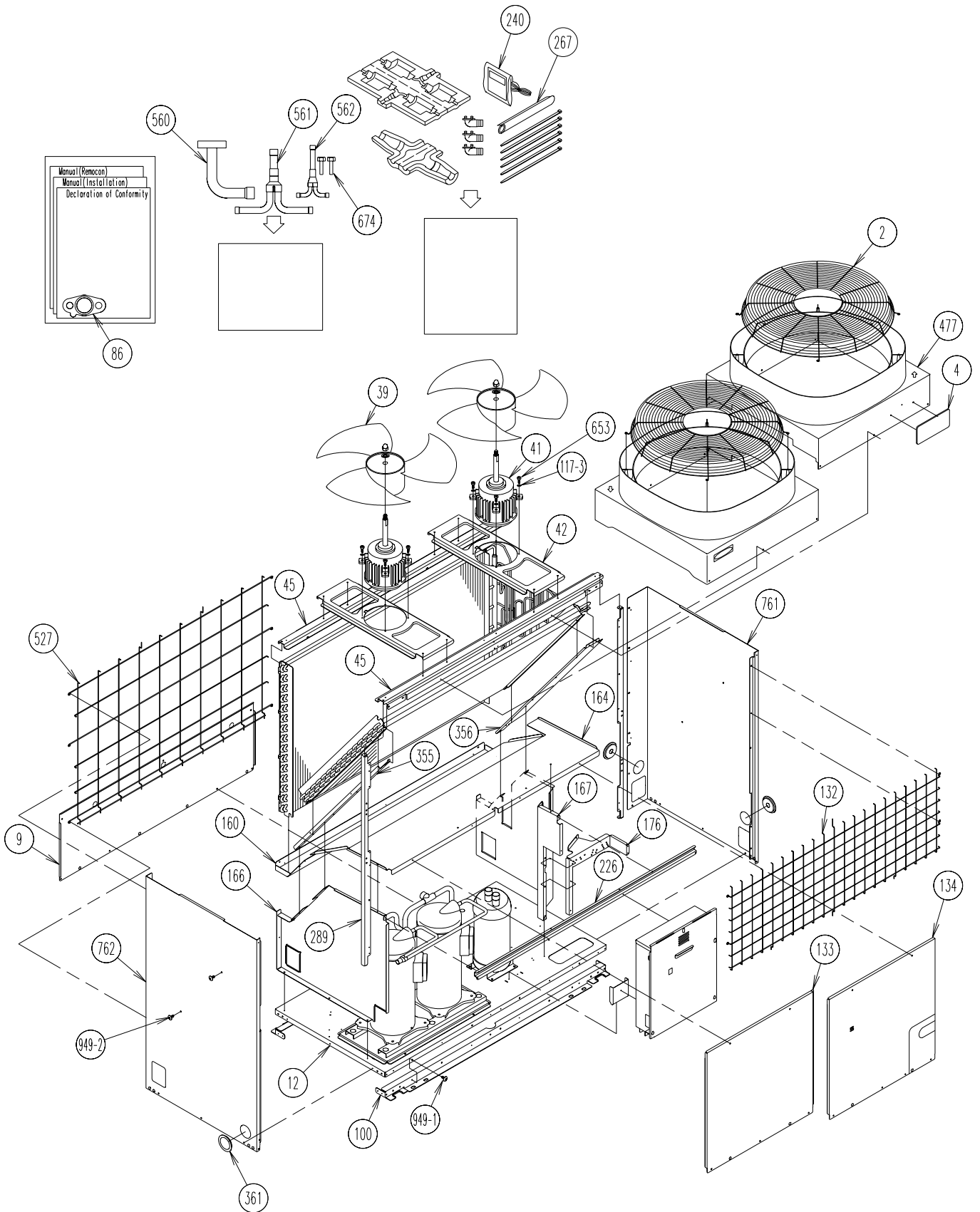
Models : ARY30TLAMA, ARY36TLAMA,
ARY45TLAMA

RELAY PCB ASSEMBLY (Bottom View)

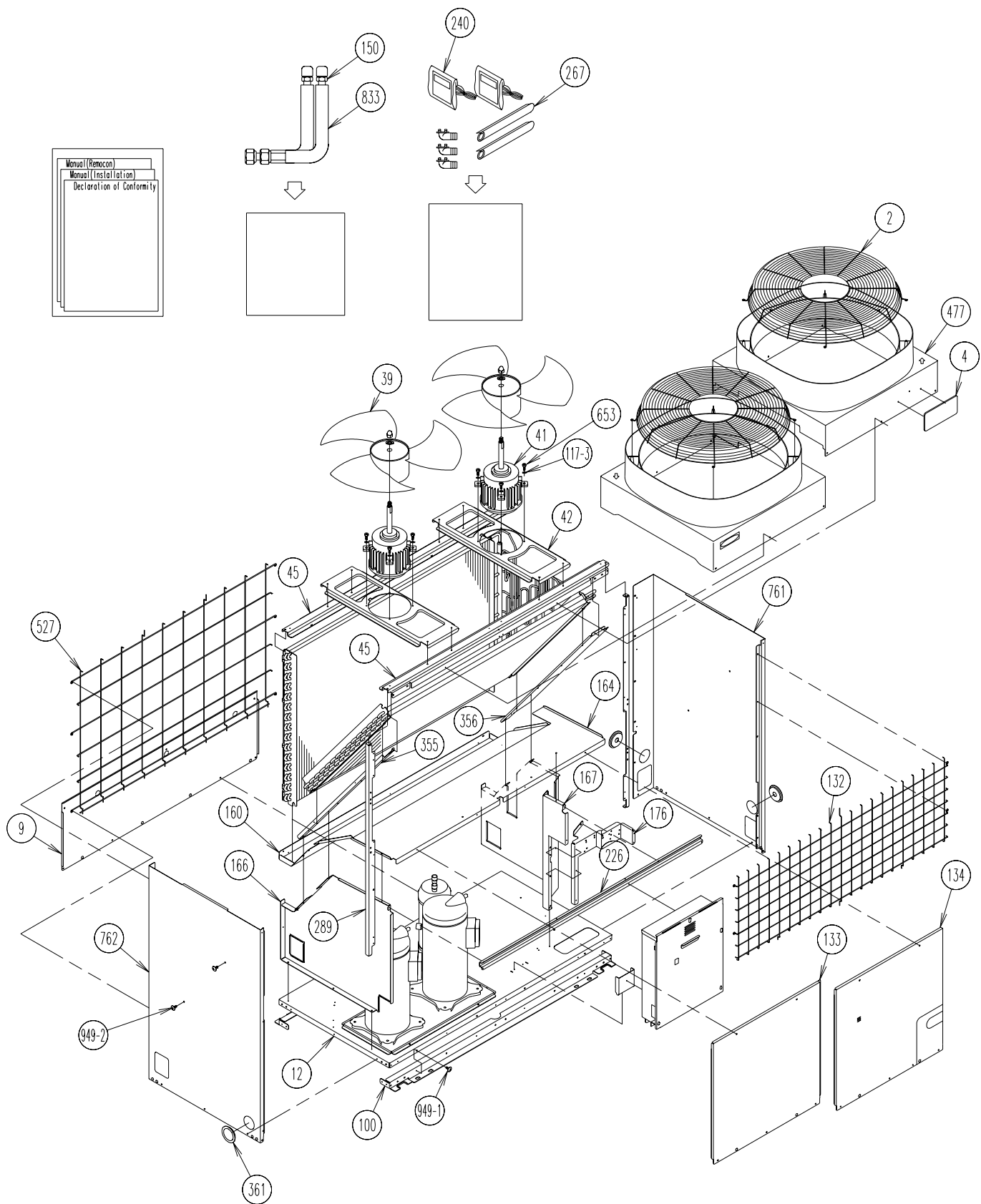


8. DISASSEMBLY ILLUSTRATION

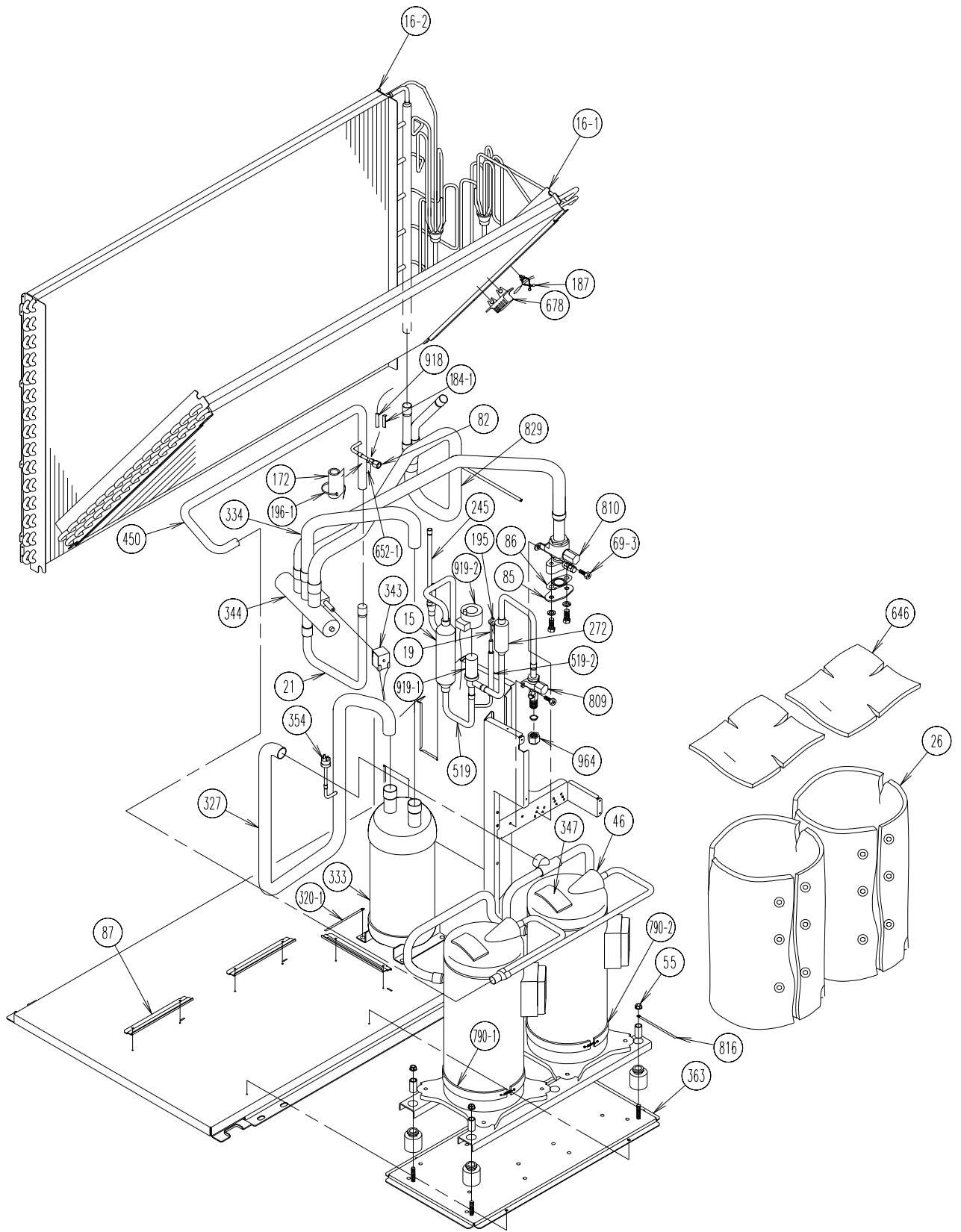
Models : AOY90TPA3L
AOY90EPA3L



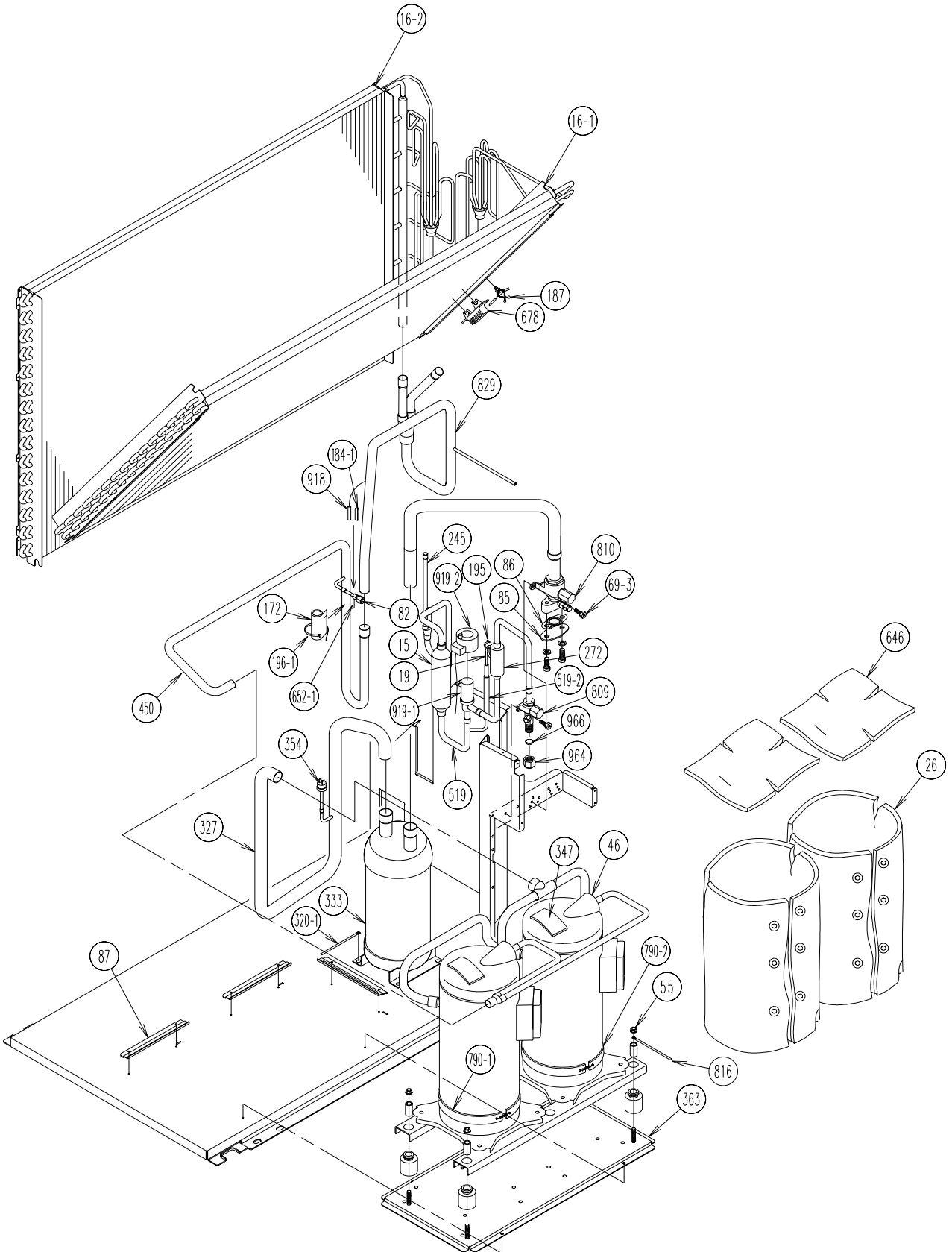
Models : AOY90TPAMA
AOY90EPAMA



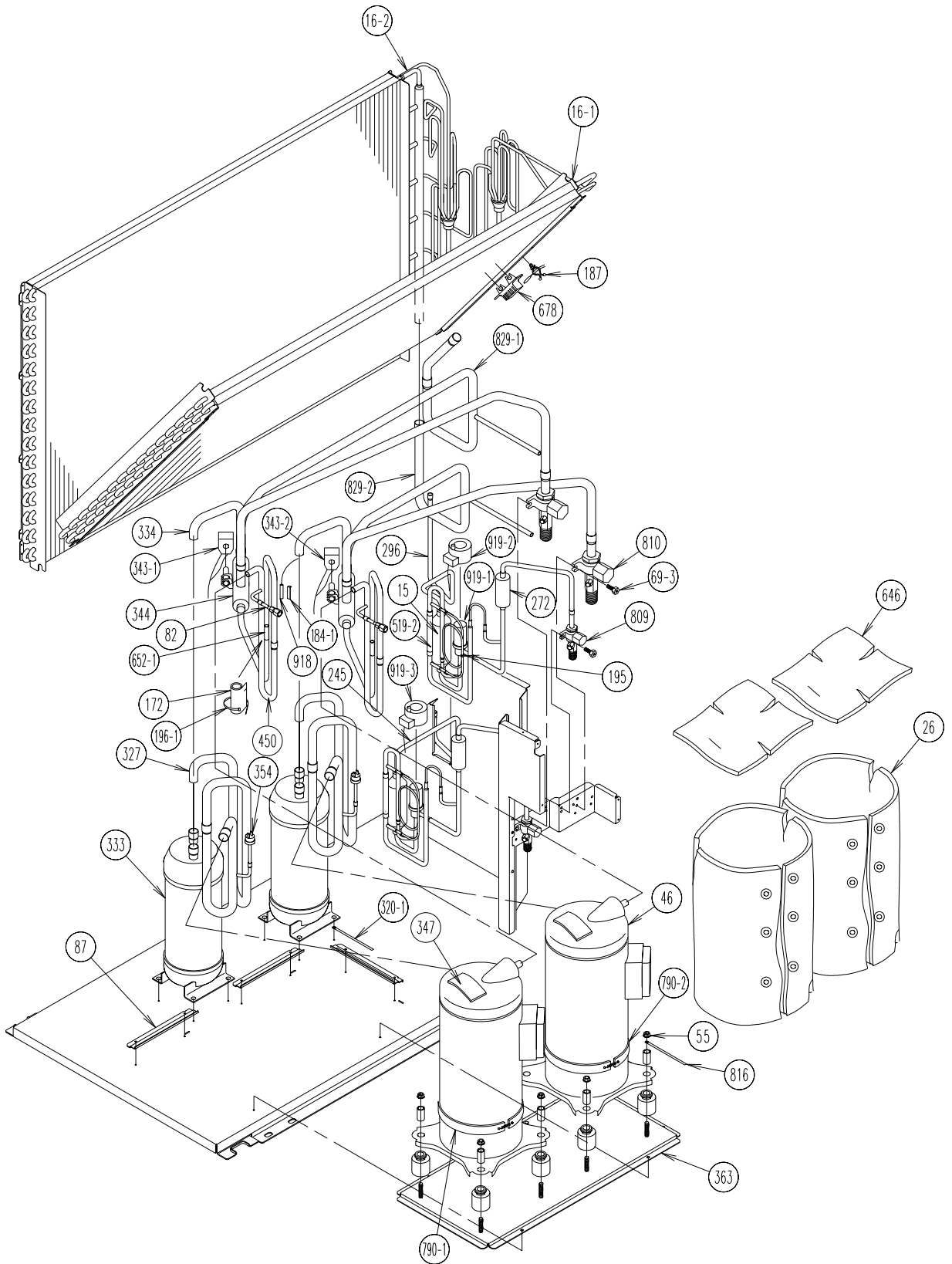
Model : AOY90TPA3L



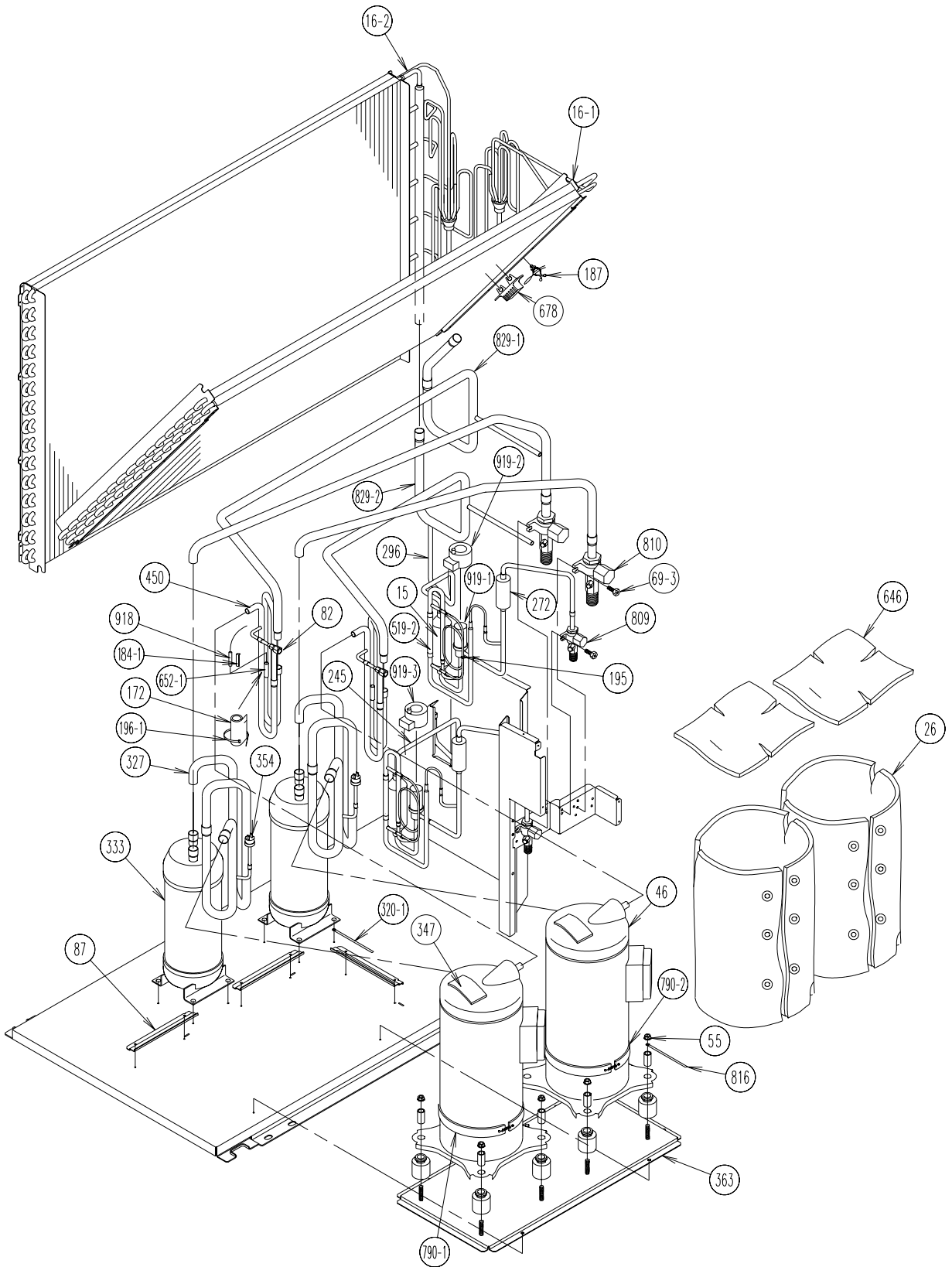
Model : AOY90EPA3L



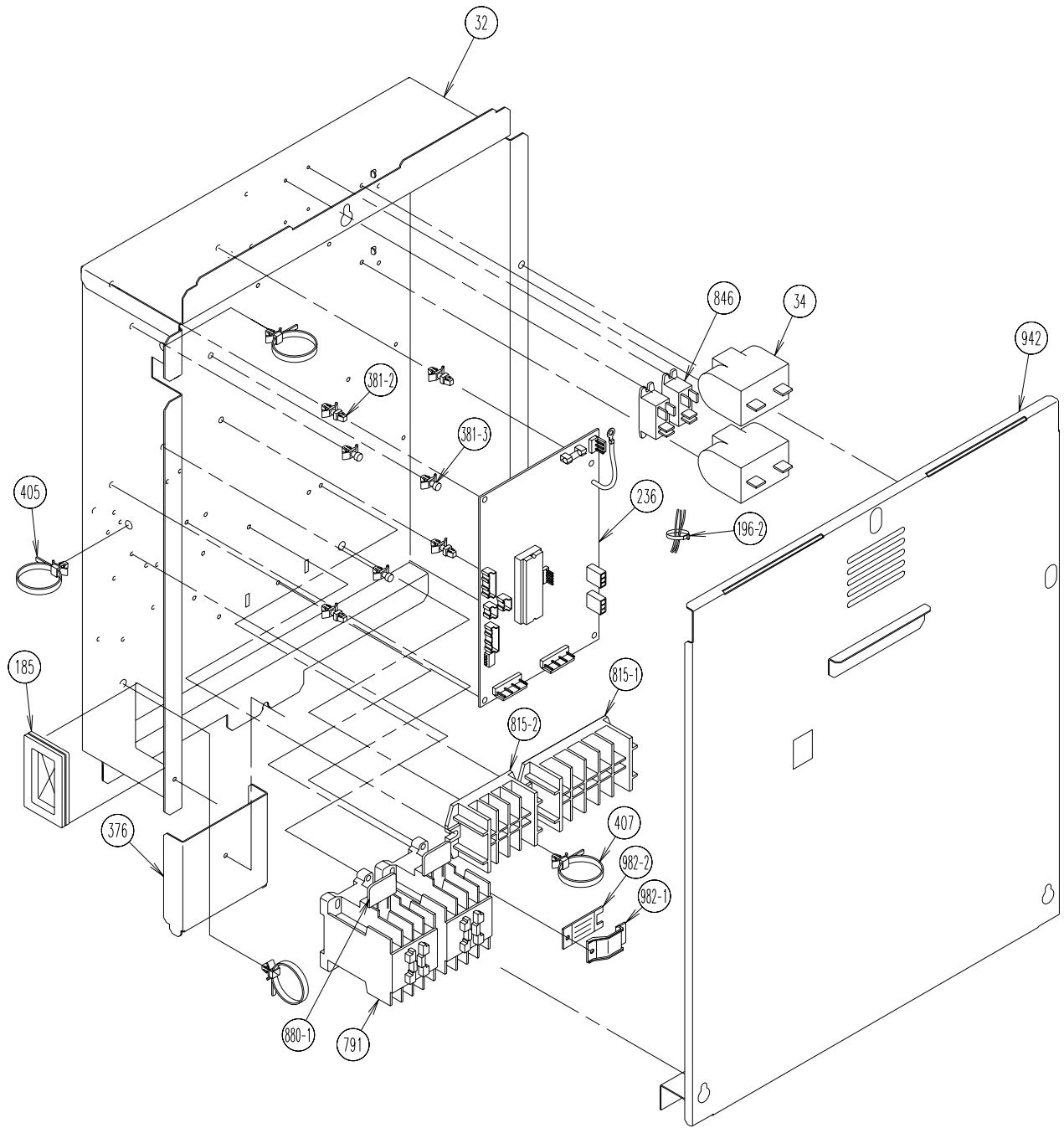
Model : AOY90TPAMA



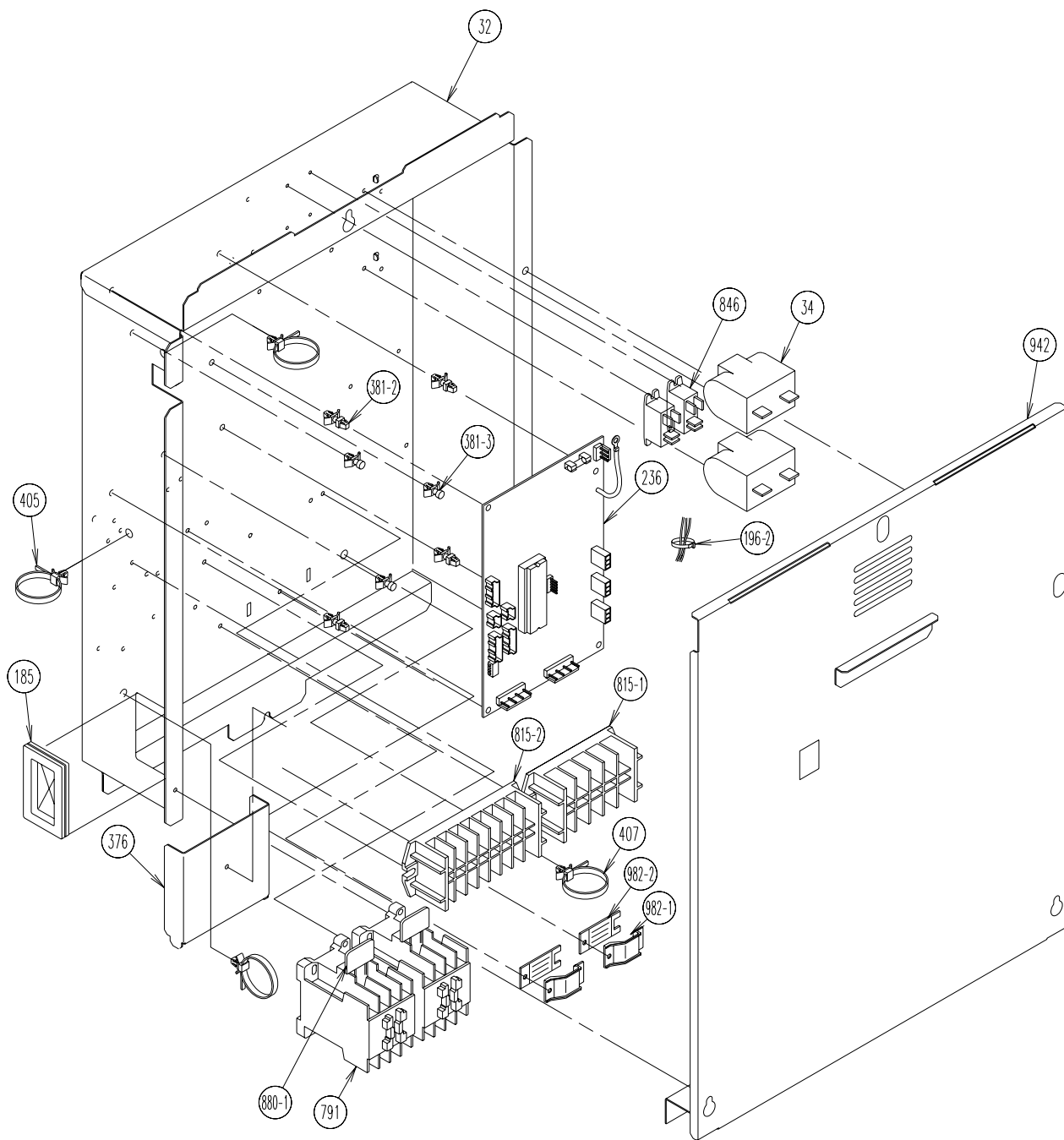
Model : AOY90EPAMA



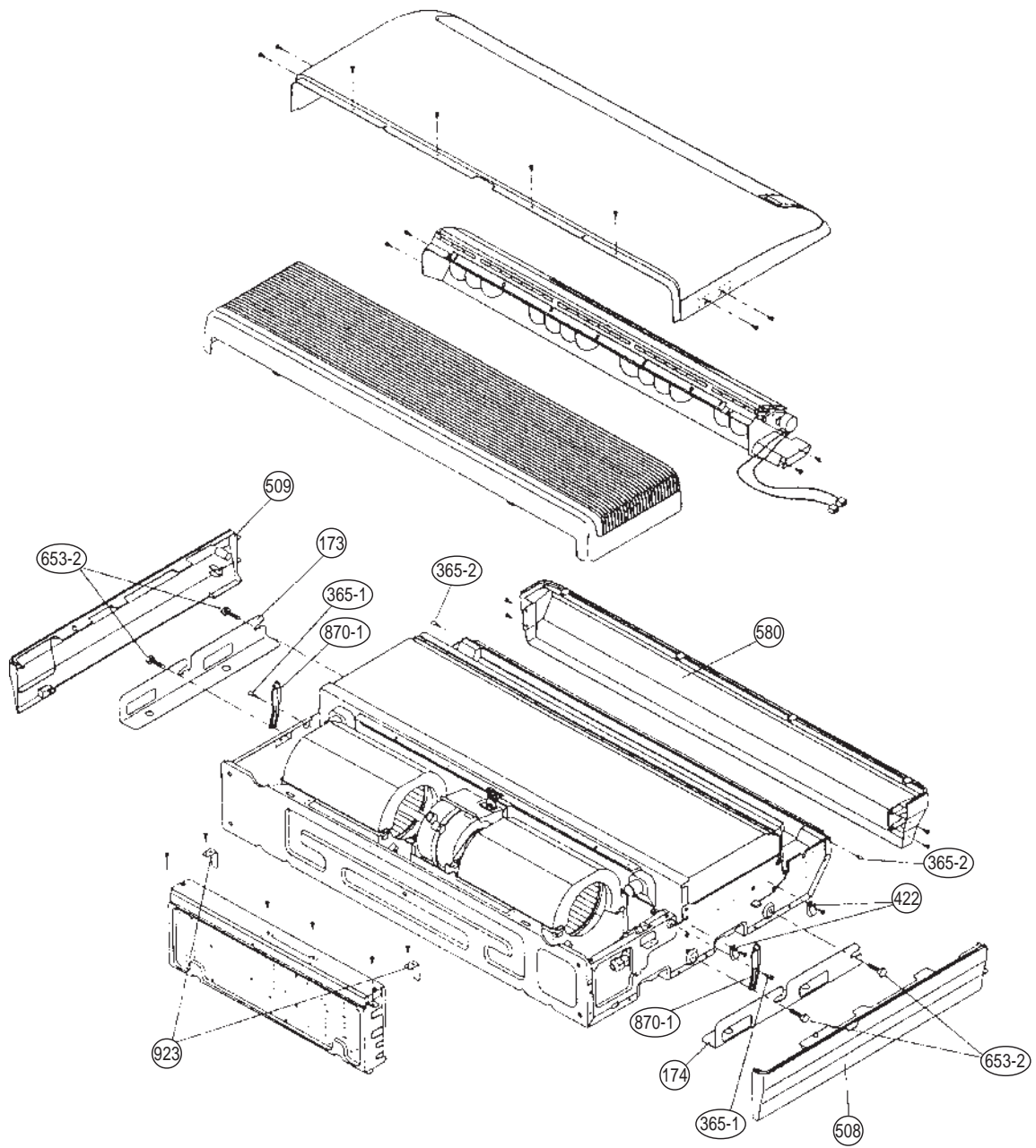
Models : AOY90TPA3L
AOY90EPA3L



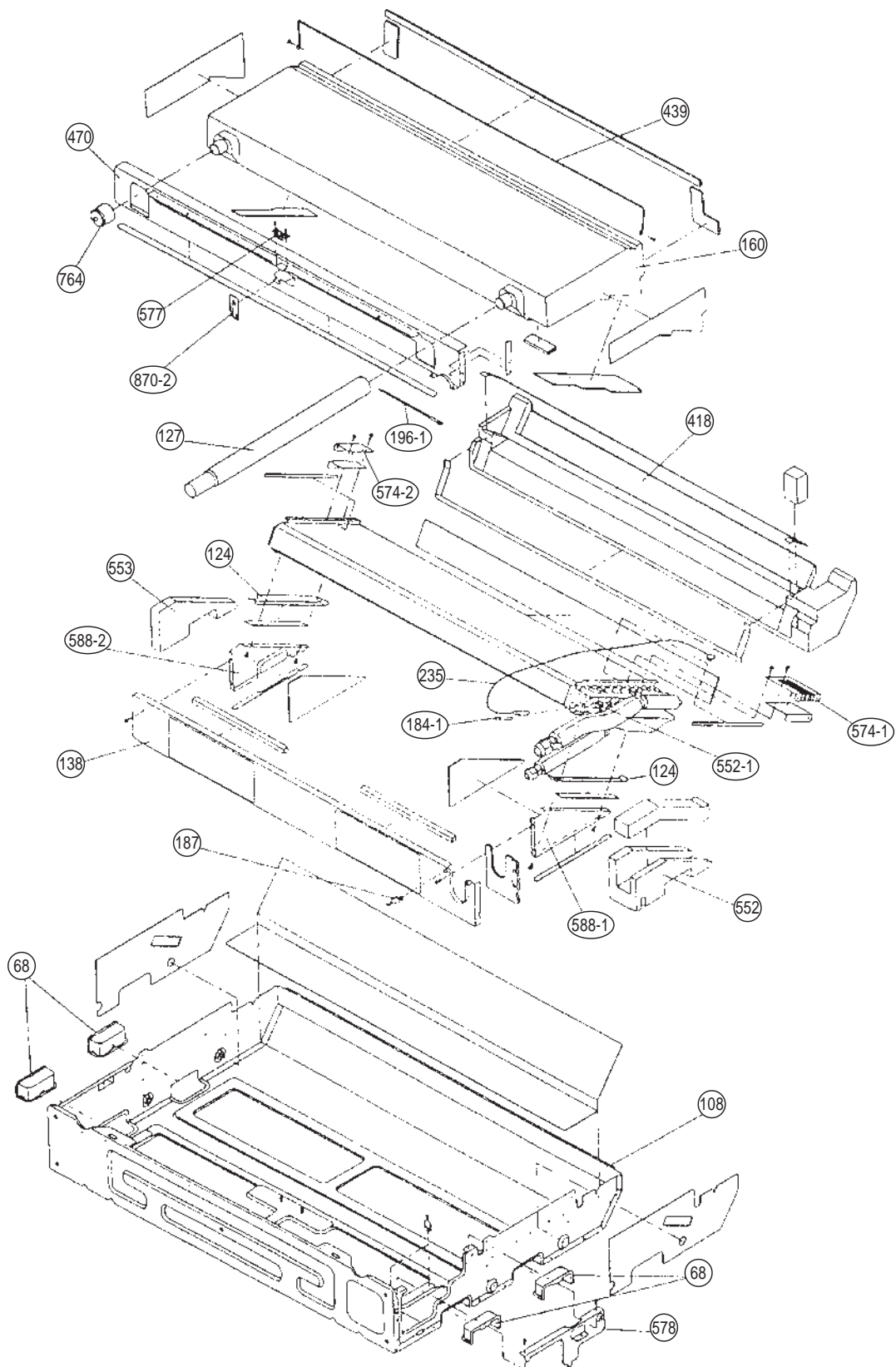
Models : AOY90TPAMA
AOY90EPAMA



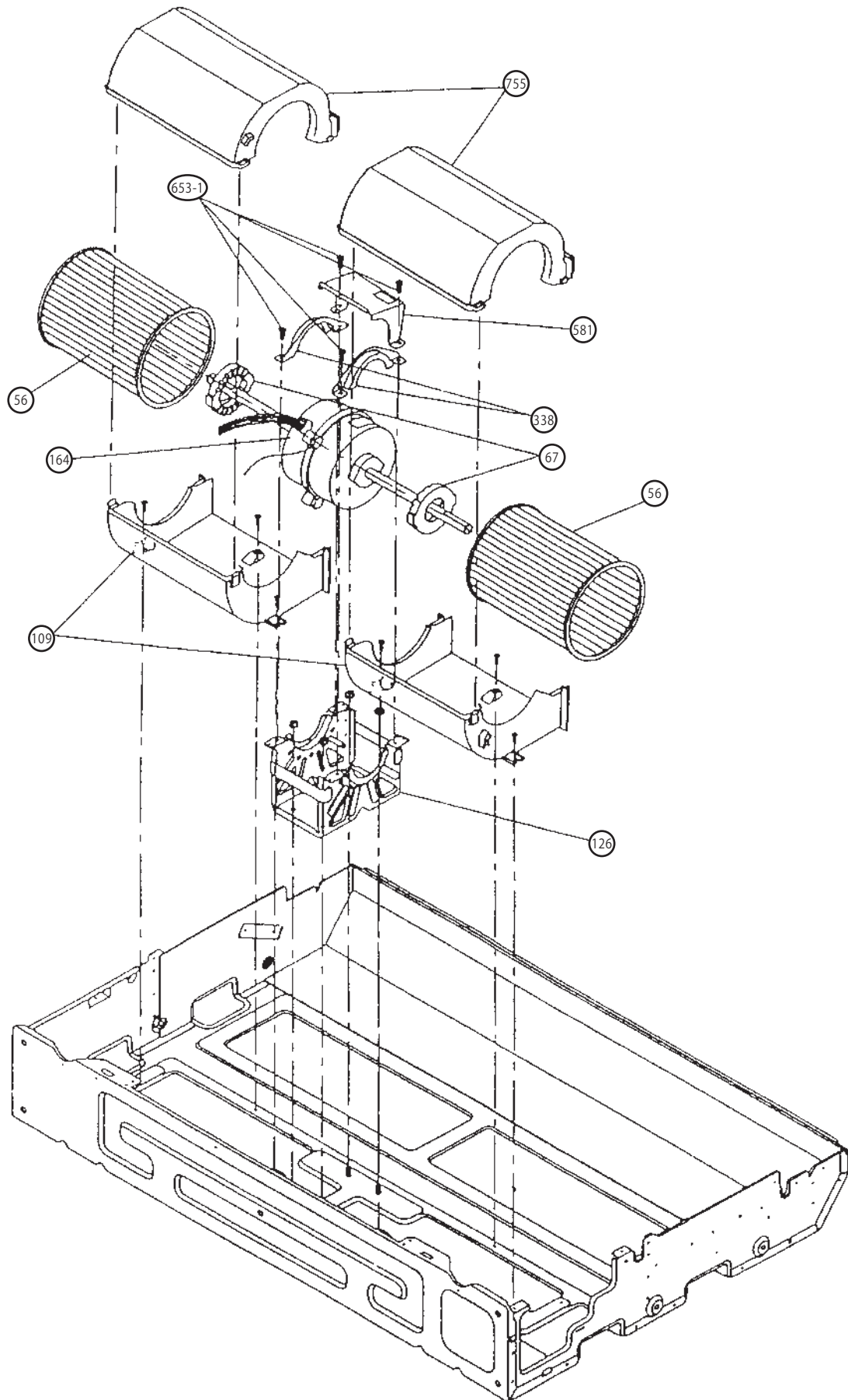
Models : ABY18TLAMA
ABY24TLAMA



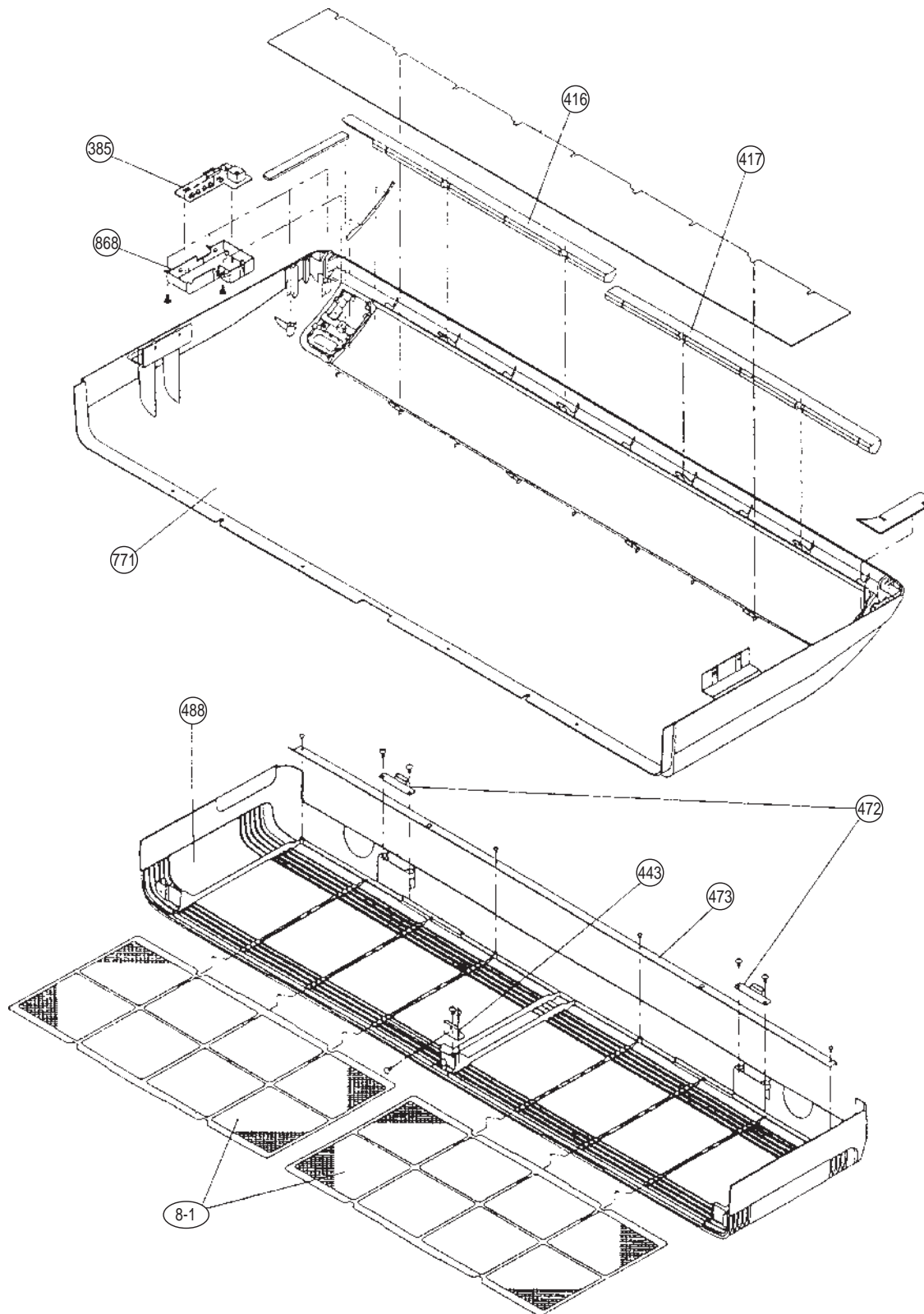
Models : ABY18TLAMA
ABY24TLAMA



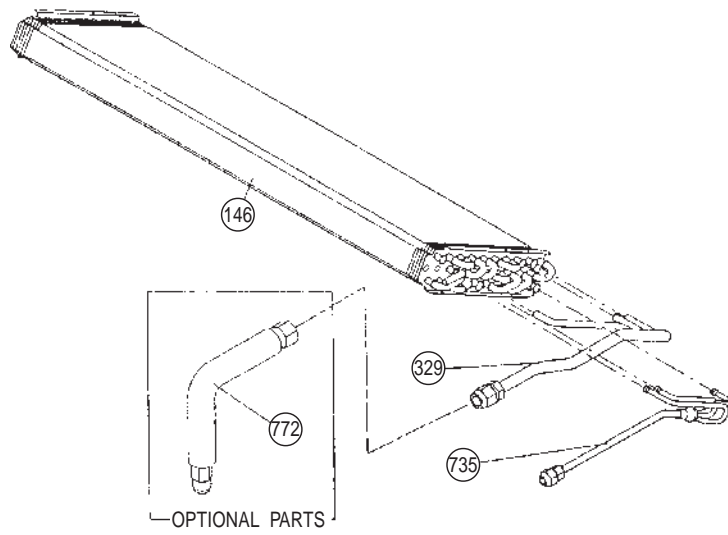
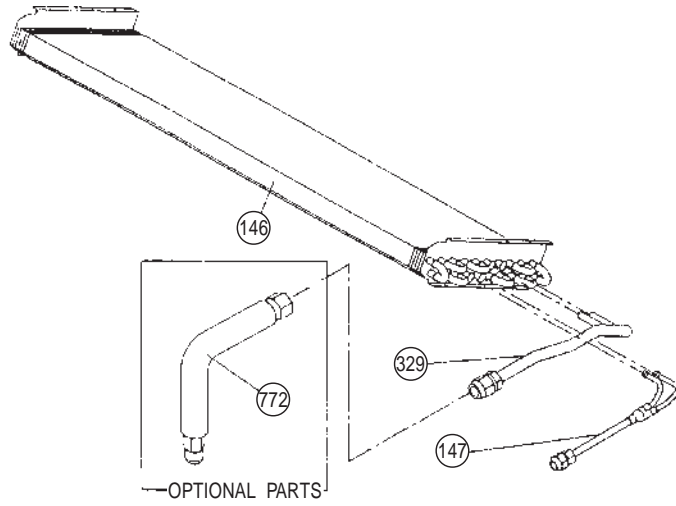
Models : ABY18TLAMA
ABY24TLAMA



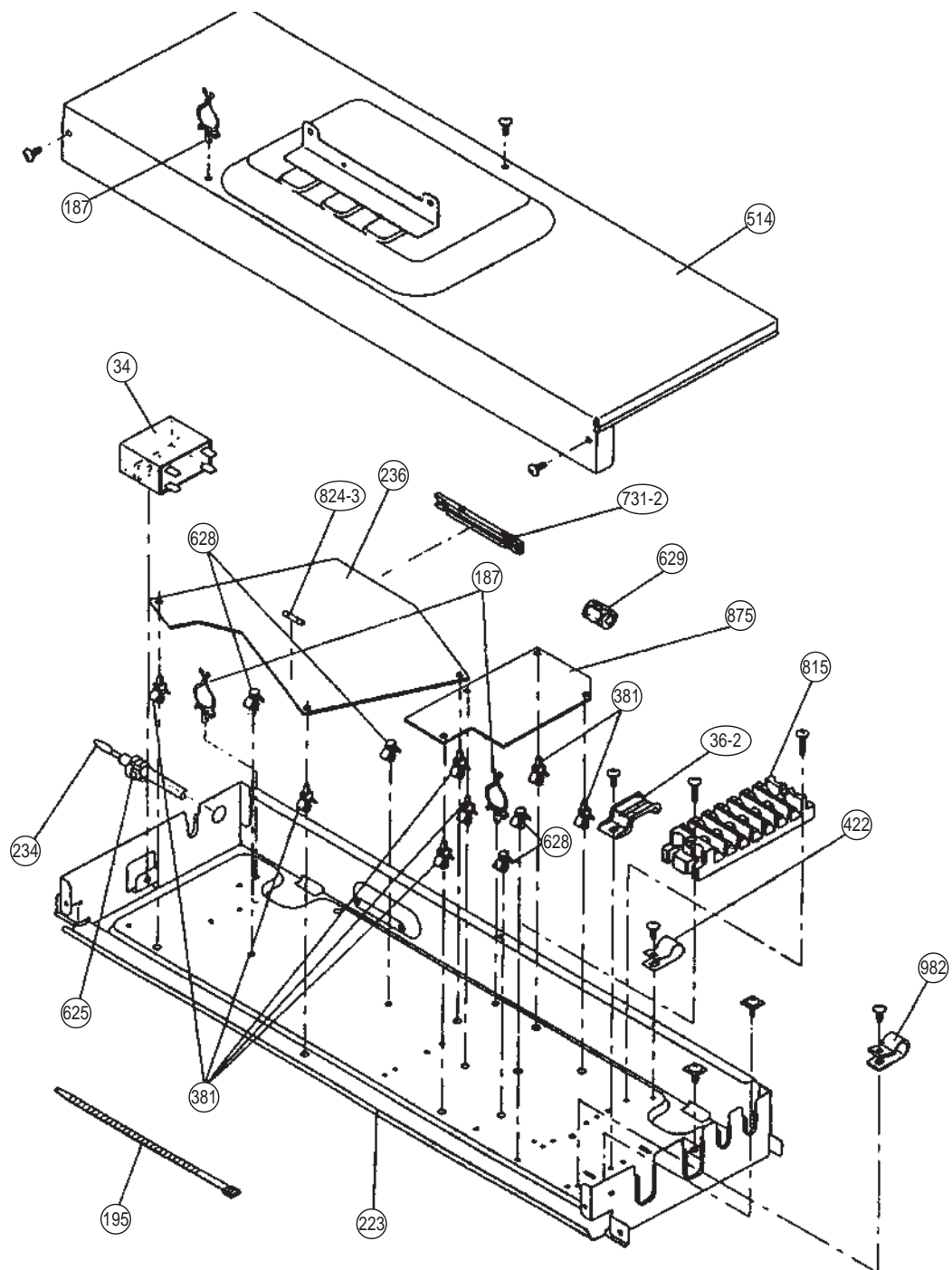
Models : ABY18TLAMA
ABY24TLAMA



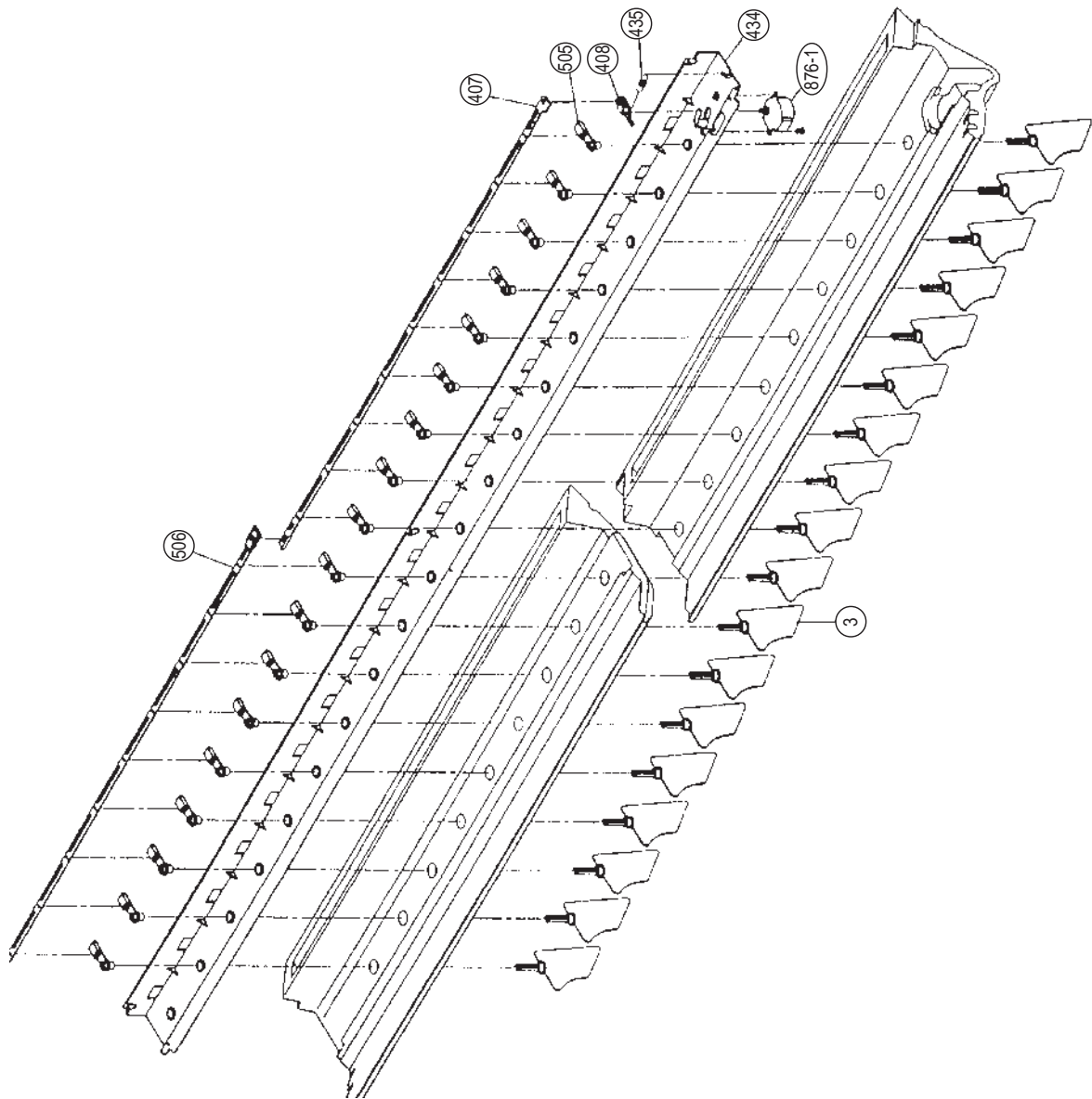
Models : ABY18TLAMA
ABY24TLAMA



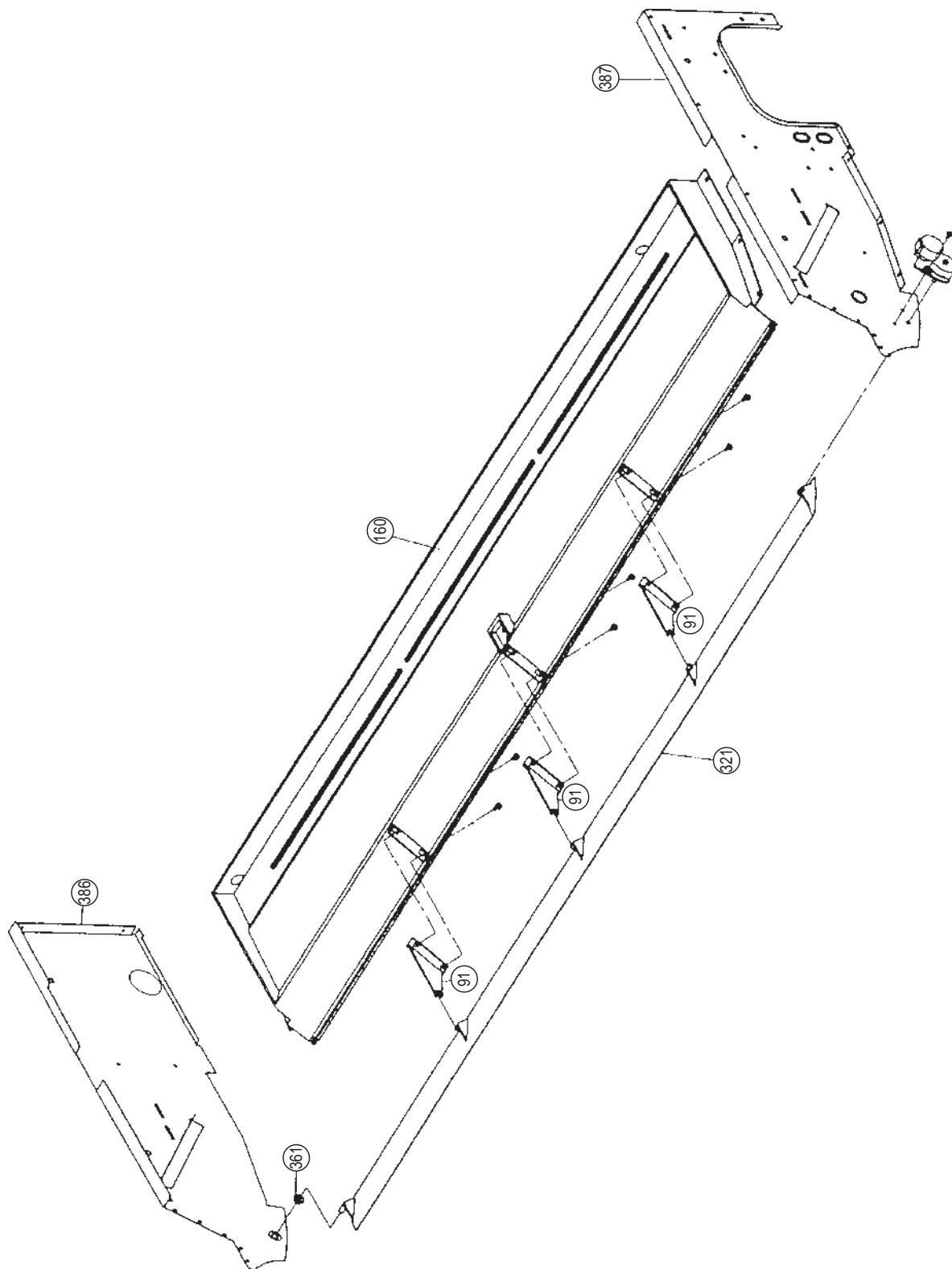
Models : ABY18TLAMA
ABY24TLAMA



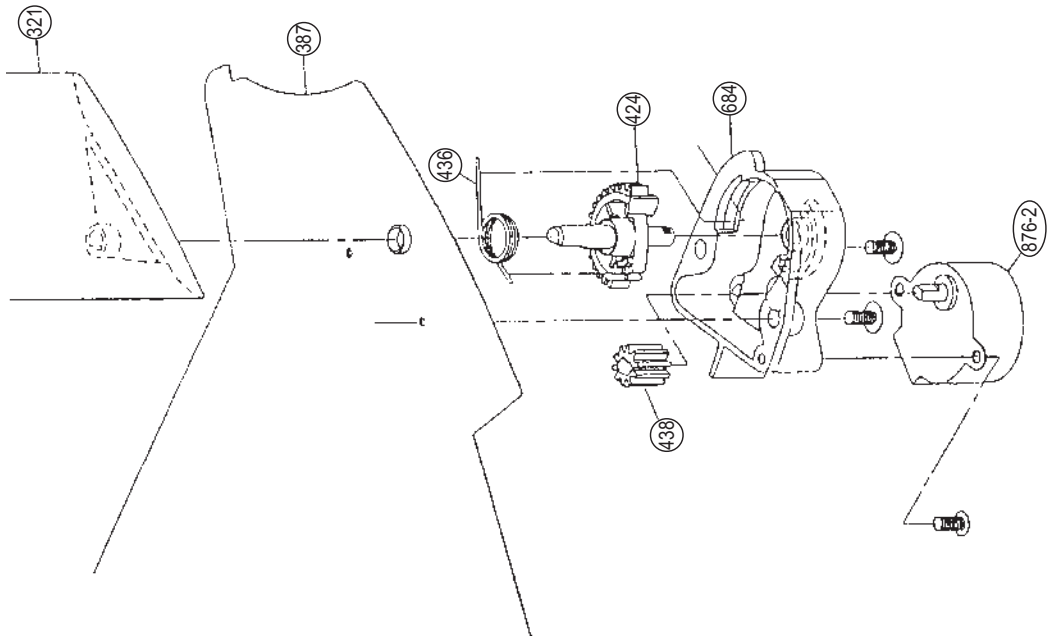
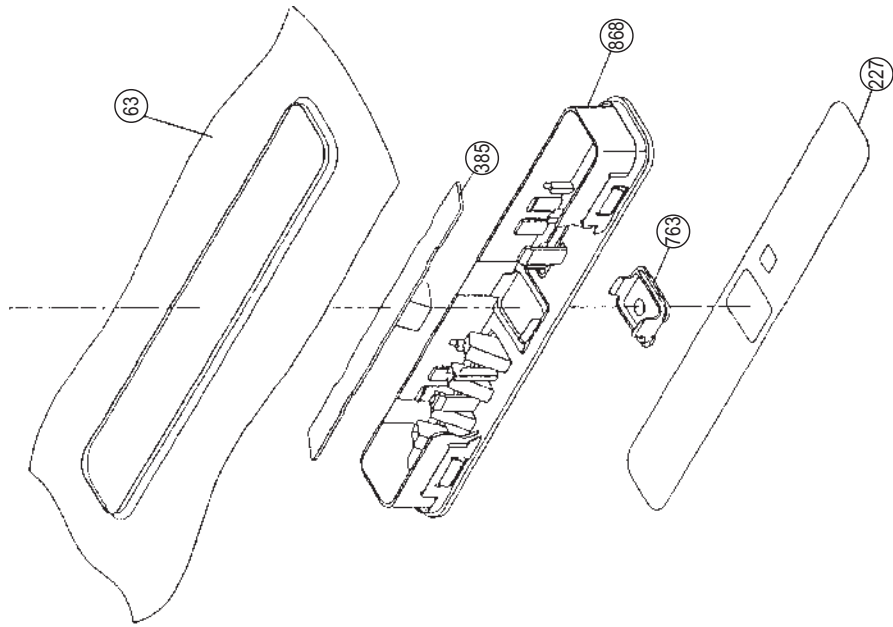
Models : ABY30TLAMA
ABY36TLAMA
ABY45TLAMA



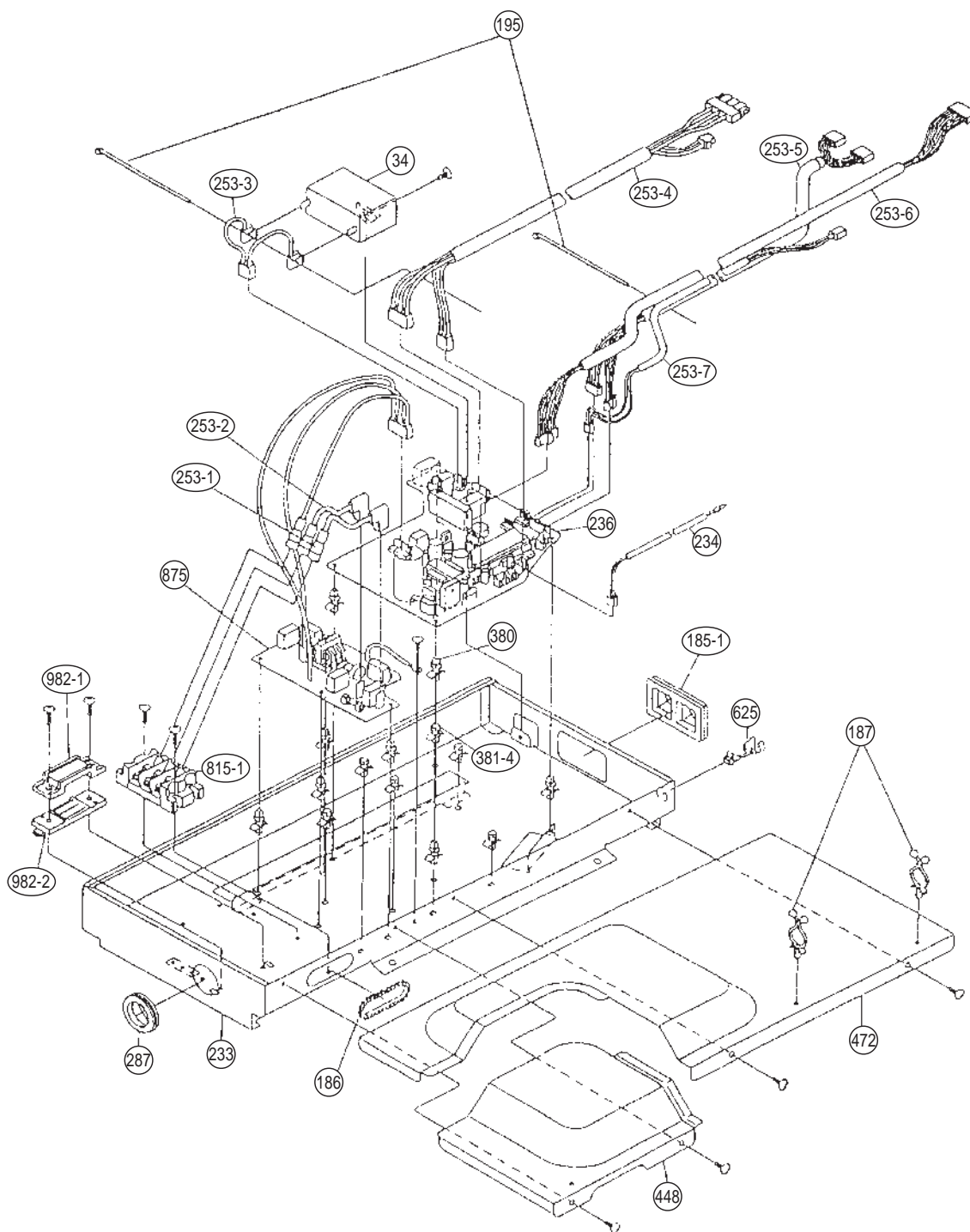
Models : ABY30TLAMA
ABY36TLAMA
ABY45TLAMA



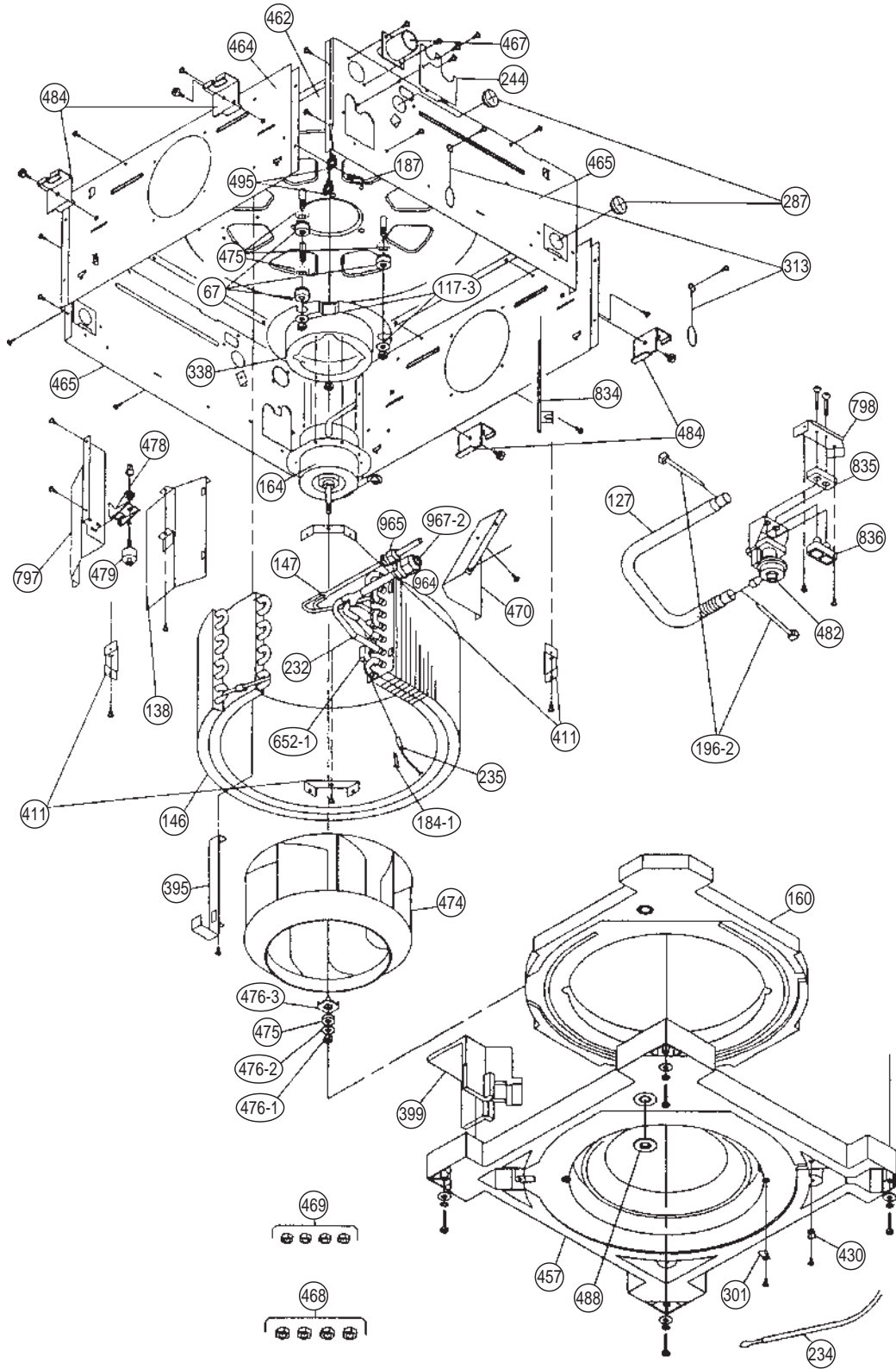
Models : ABY30TLAMA
ABY36TLAMA
ABY45TLAMA



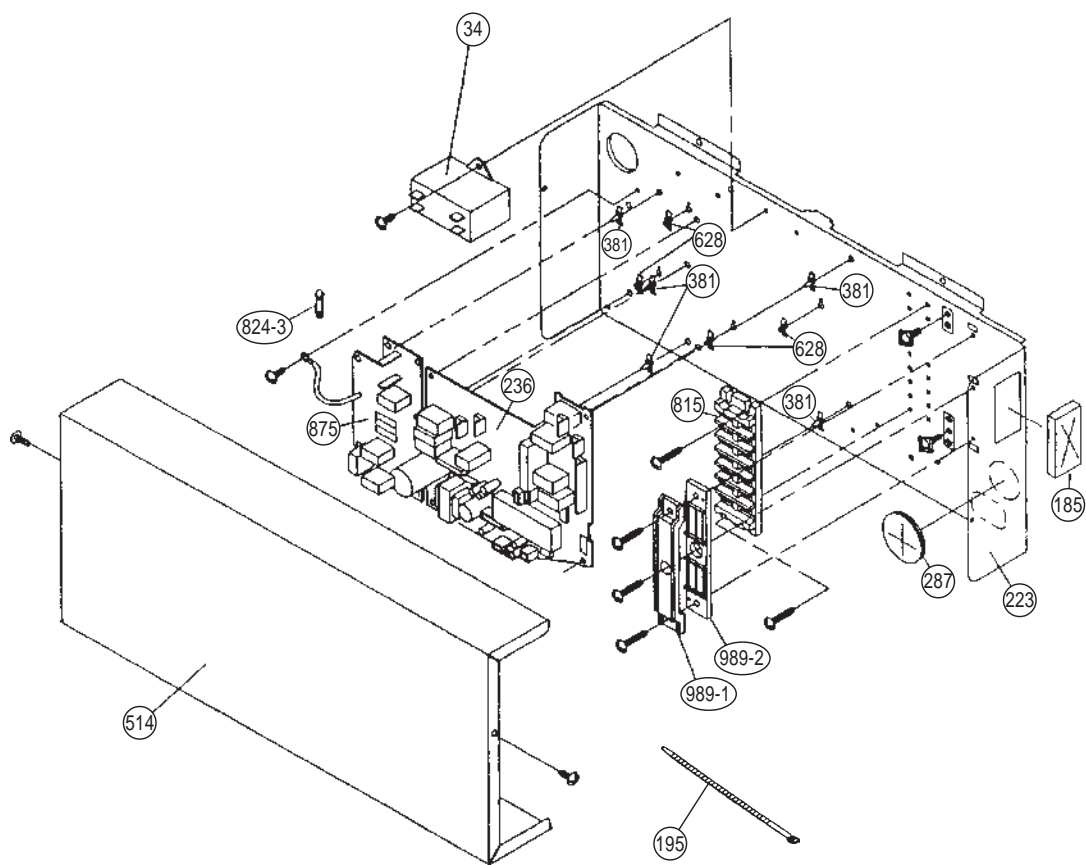
Models : ABY30TLAMA
ABY36TLAMA
ABY45TLAMA



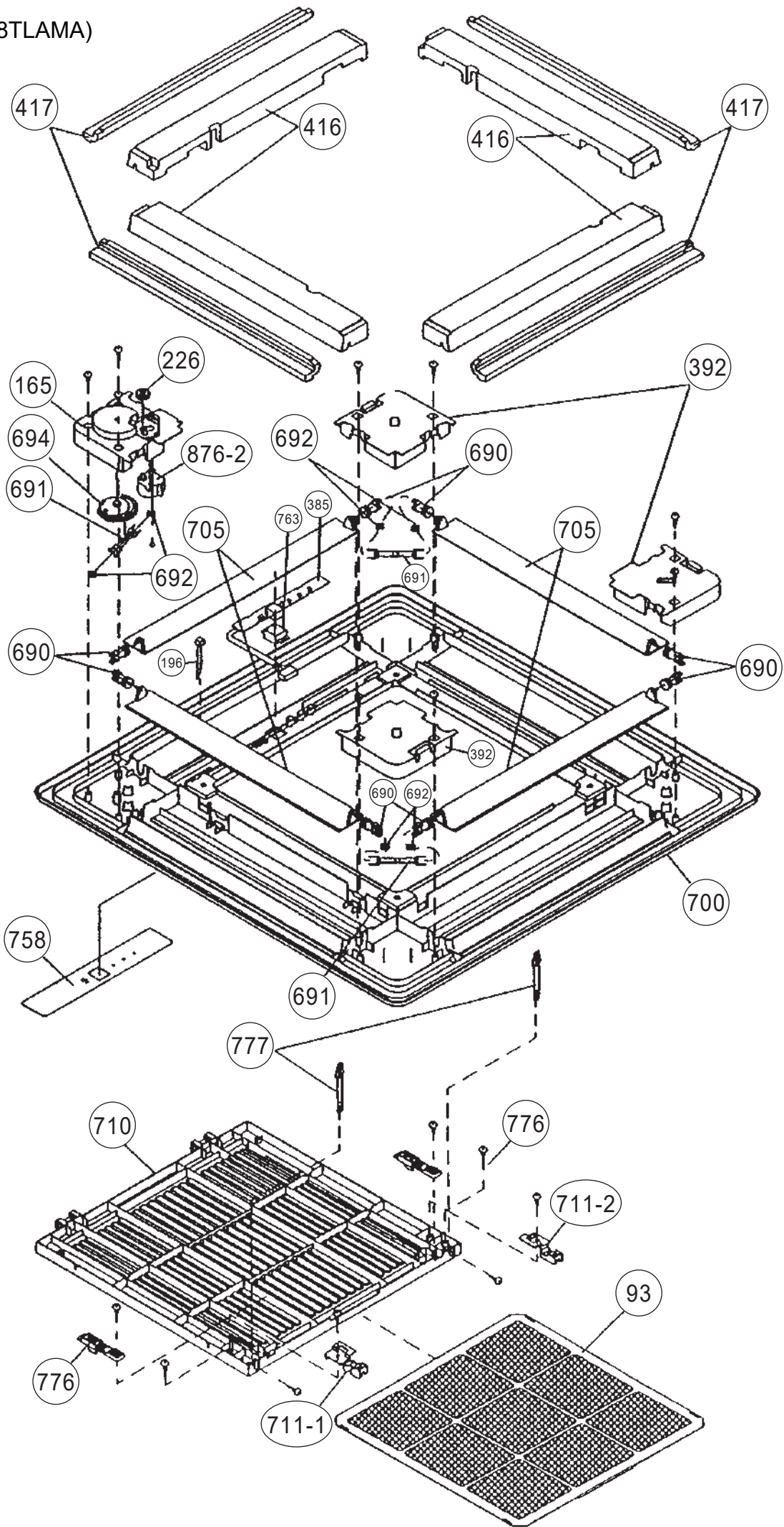
Model : AUY18TLAMA



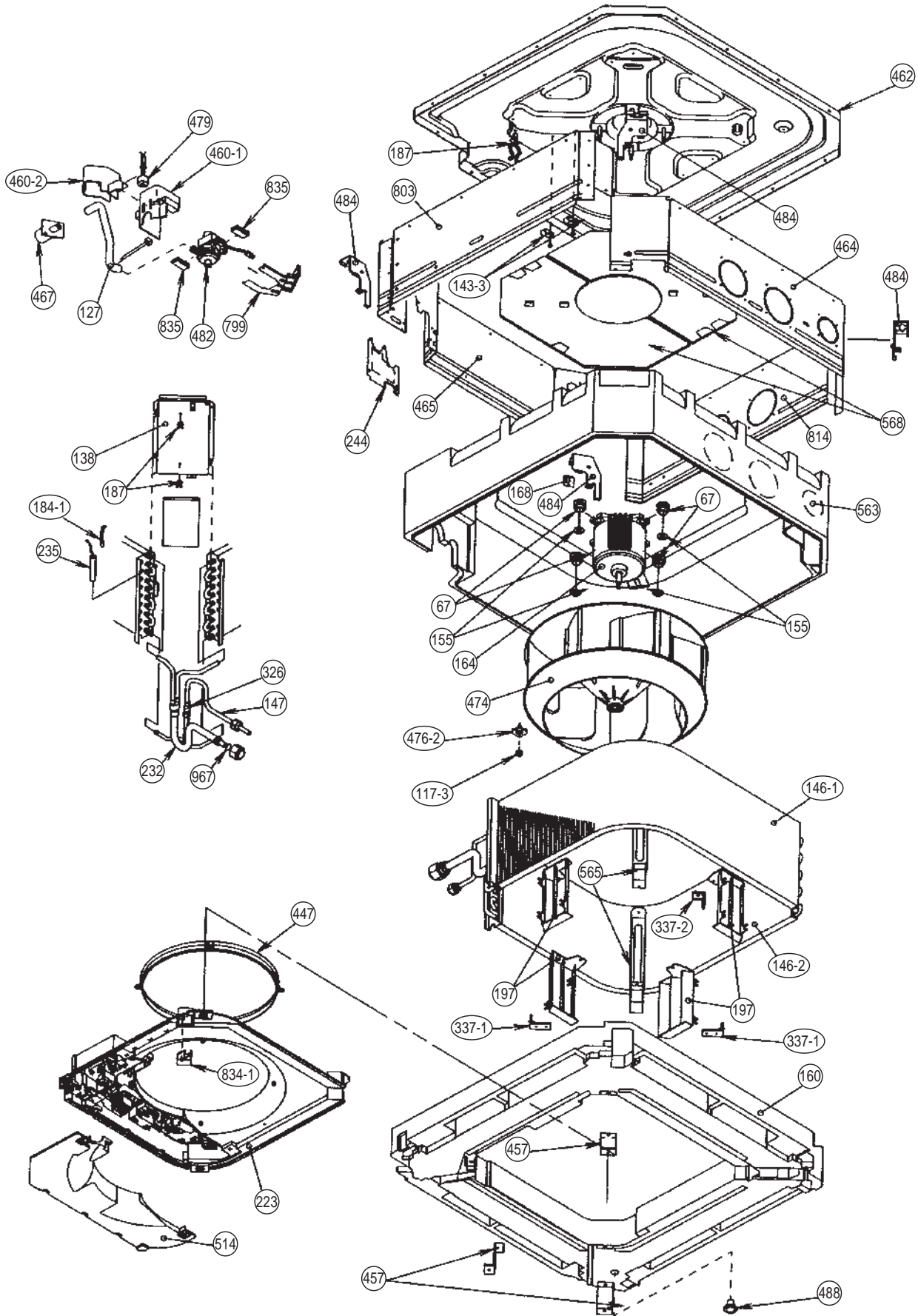
Model : AUY18TLAMA



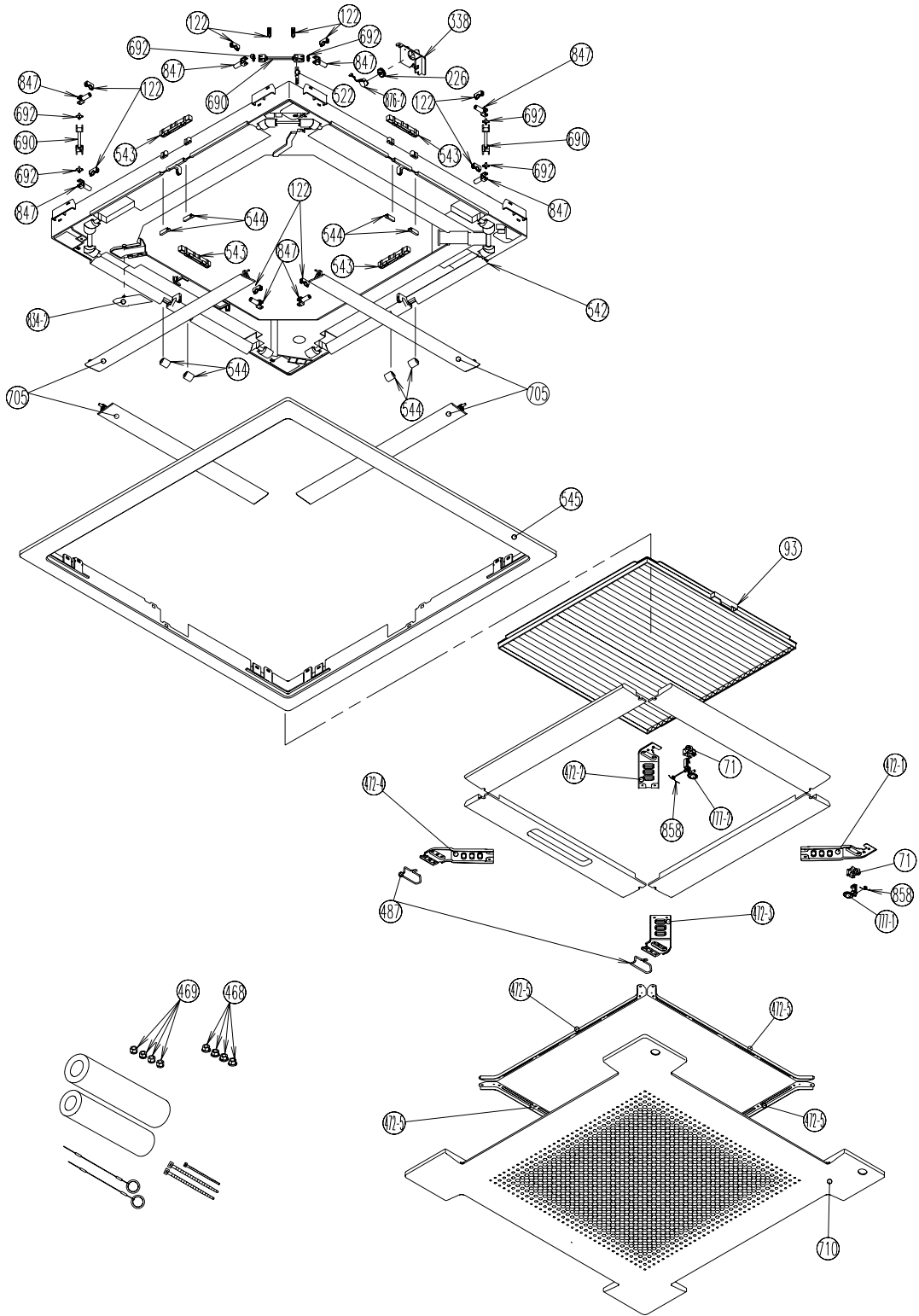
UTG-UDYB-W
(Grille for AUY18TLAMA)



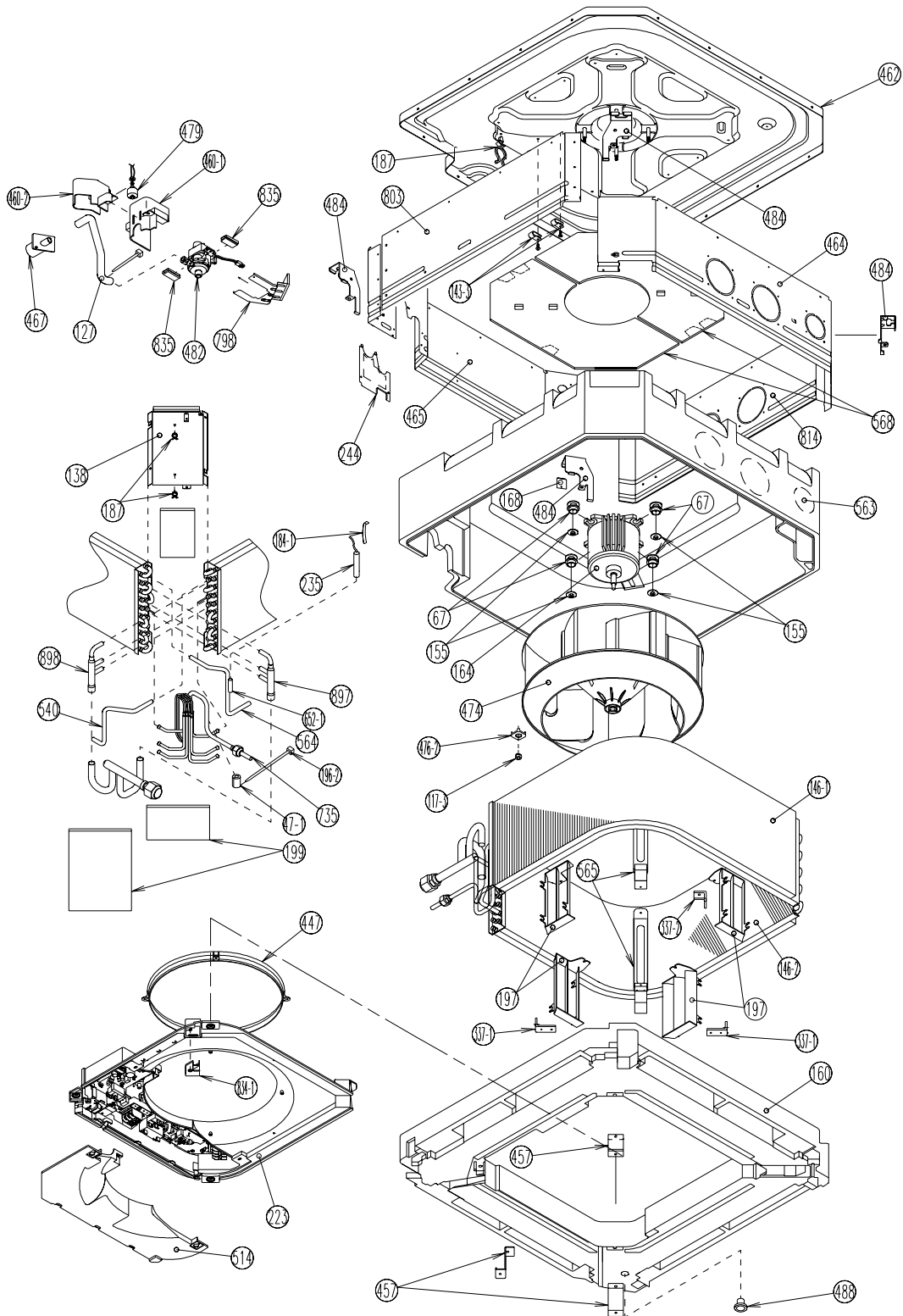
Models : AU Y25TLAMA
AU Y30TLAMA



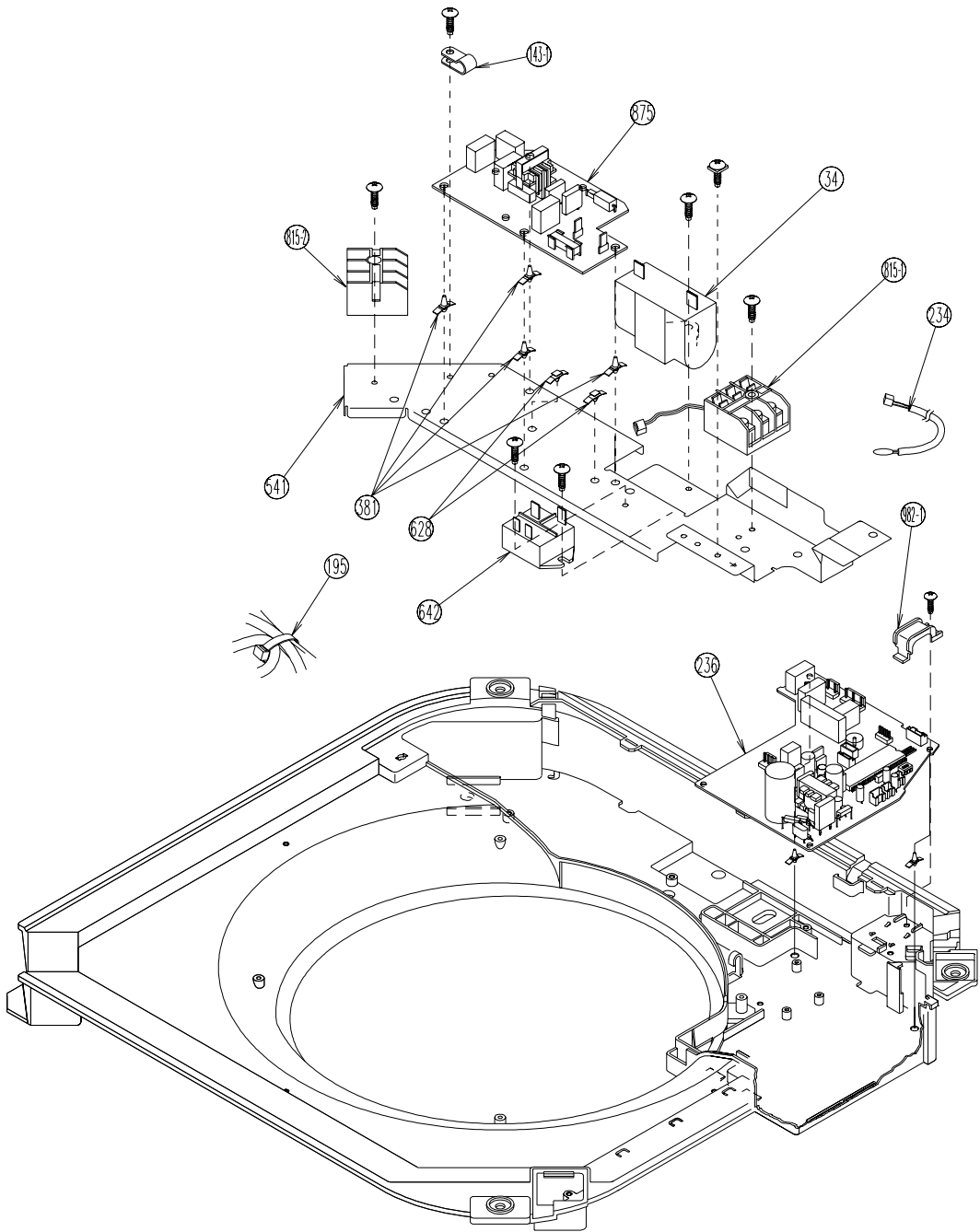
Models : AUY25TLAMA, AUY30TLAMA
AUY36TLAMA, AUY45TLAMA



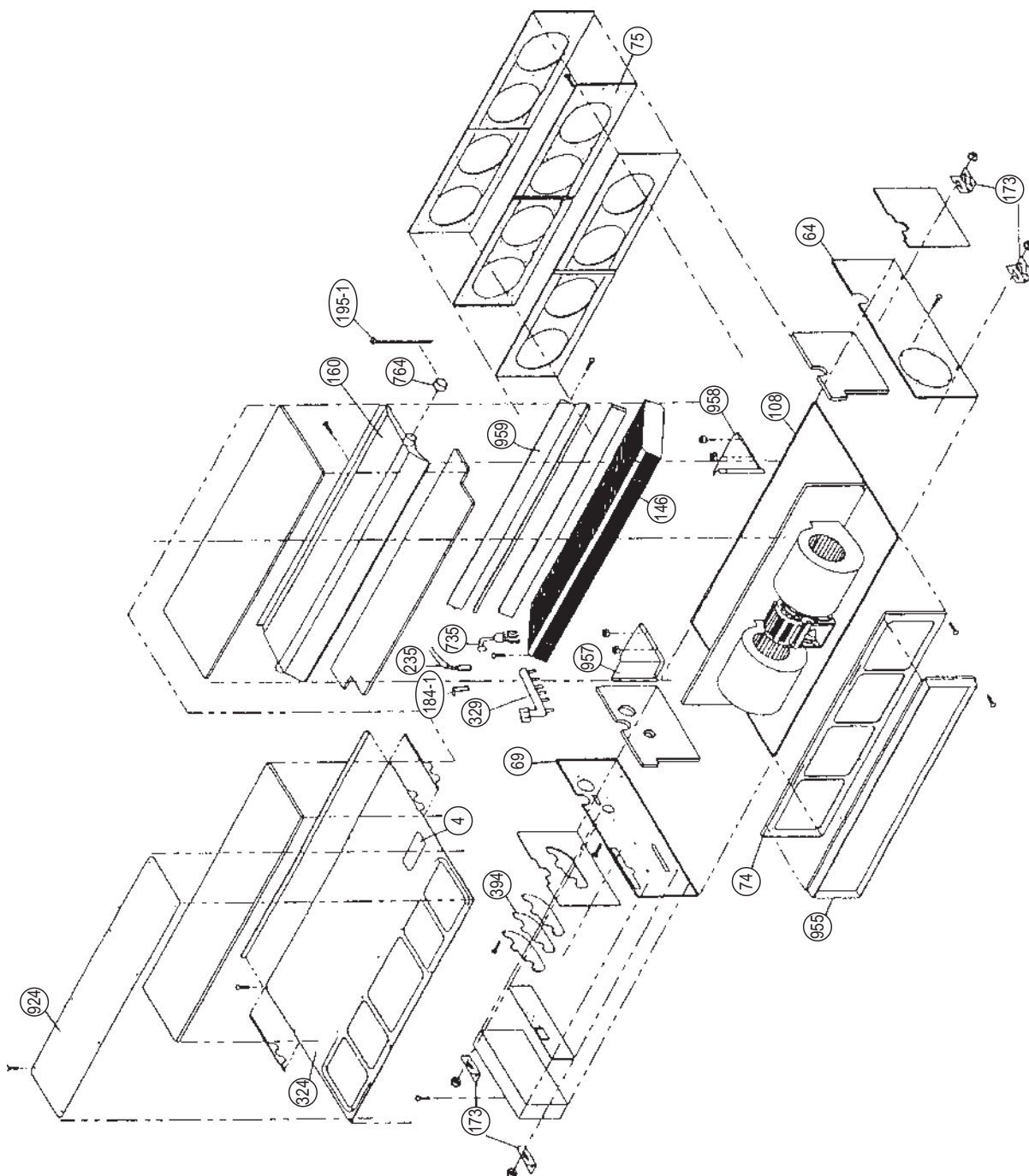
Models : AU Y25TLAMA, AU Y30TLAMA
AU Y36TLAMA, AU Y45TLAMA



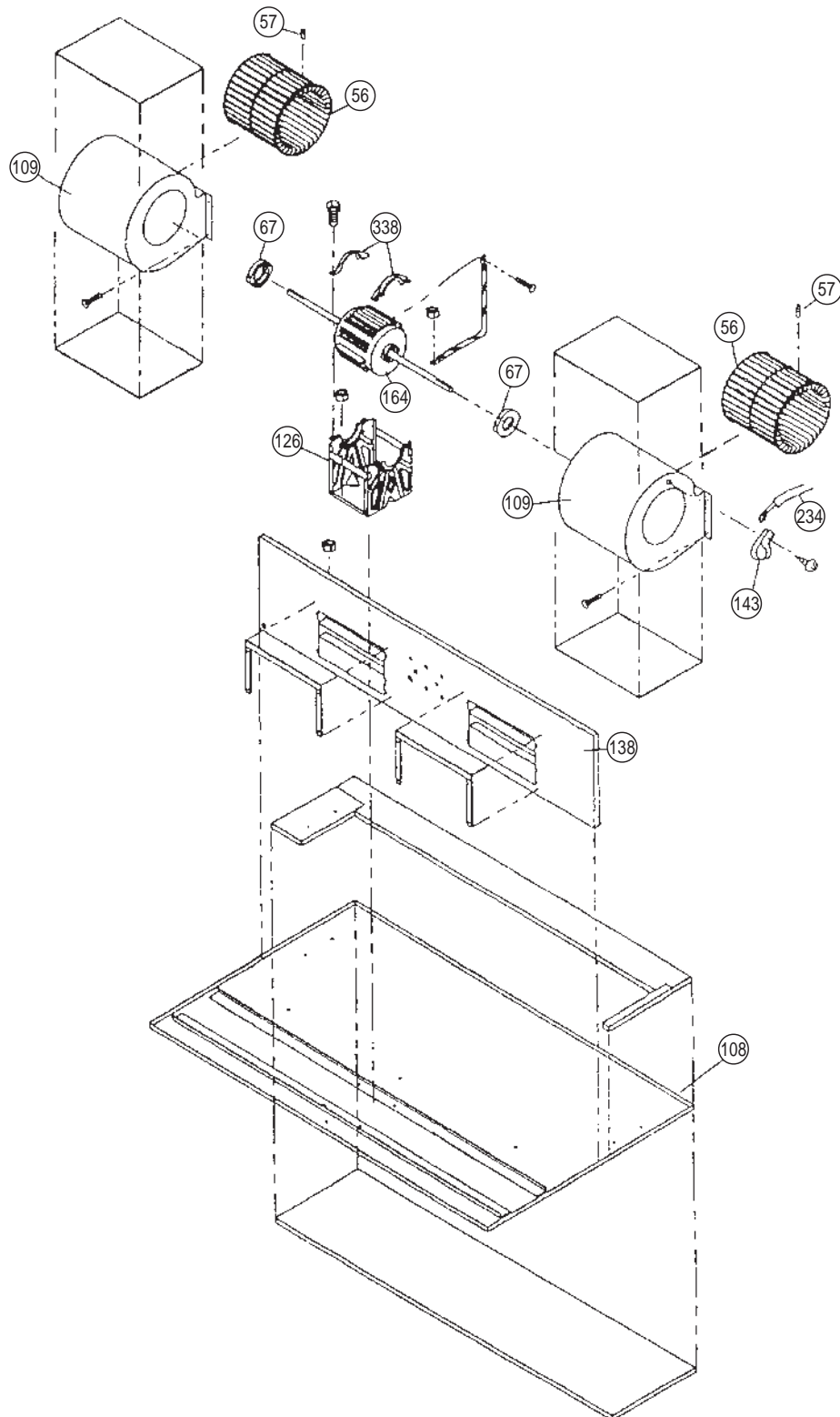
Models : AUY25TLAMA, AUY30TLAMA
AUY36TLAMA, AUY45TLAMA



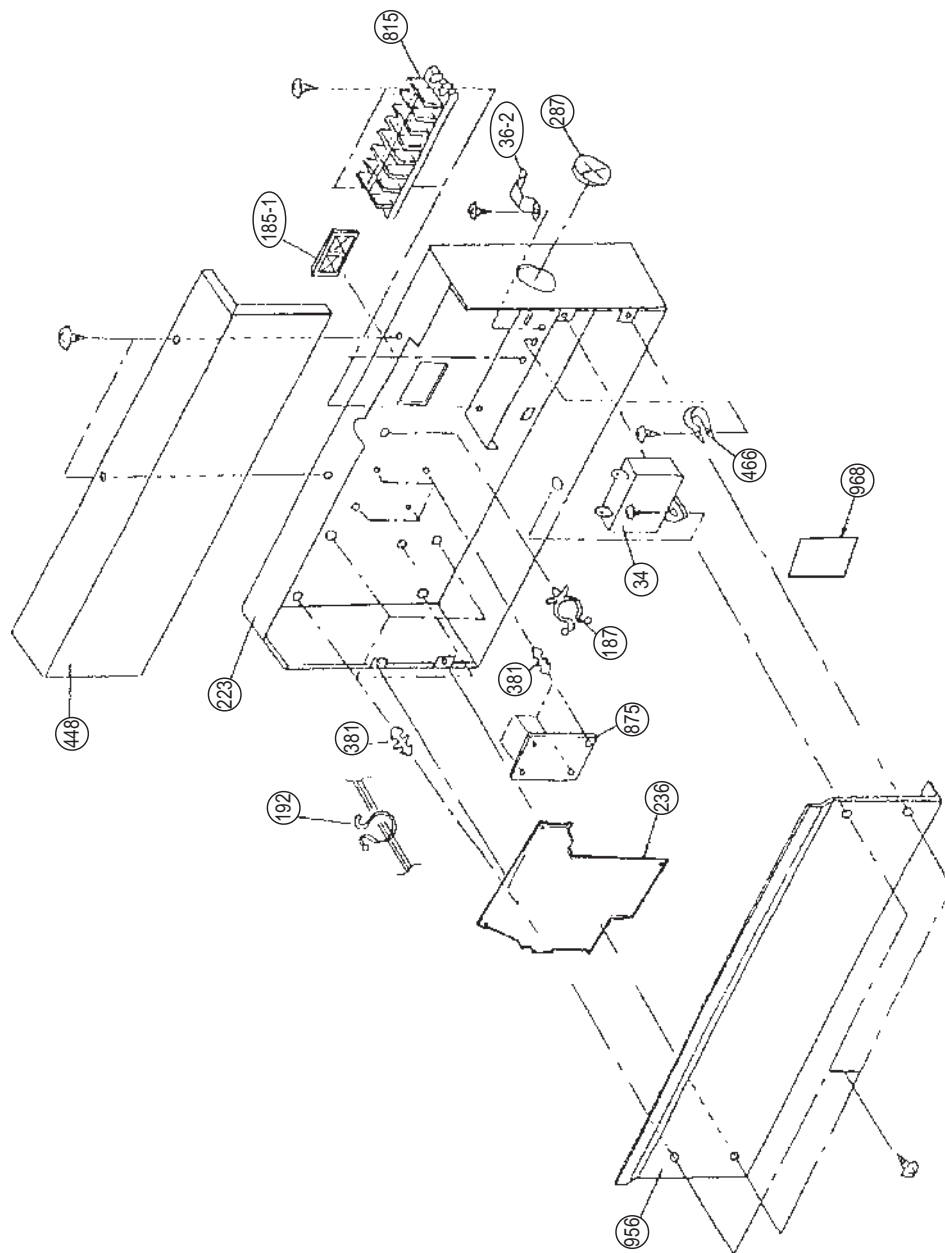
Models : ARY25TLAMA, ARY30TLAMA
ARY36TLAMA, ARY45TLAMA



Models : ARY25TLAMA, ARY30TLAMA
ARY36TLAMA, ARY45TLAMA



Models : ARY25TLAMA, ARY30TLAMA
ARY36TLAMA, ARY45TLAMA



9. PARTS LIST

Models : AOY90TPA3L
 AOY90EPA3L

OUTDOOR UNIT

Ref. No.	Description	Part No.		Q'ty	Ref. No.	Description	Part No.		Q'ty
		AOY90TPA3L	AOY90EPA3L				AOY90TPA3L	AOY90EPA3L	
2	Fan Cover	9361723009	9361723009		334	Suction Pipe - B	9361894006	---	
4	Emblem-Rear "FUJITSU"	9359836018	9359836018		343	Solenoid Coil	9703342011	---	
9	Rear Panel, Painted	9361712027	9361712027		344	4 - Way Valve	9703270000	---	
12	Base Assy	9361684003	9361684003		347	Noise Insulation - D	313712304109	313712304109	
15	Strainer	9361931008	9361931008		354	Pressure Switch	9703269004	9703269004	
16-1	Condenser-A Assy	9363299014	9363299014		355	Bracket(Condenser) - L	9361698000	9361698000	
16-2	Condenser-B Assy	9363300017	9363300017		356	Bracket(Condenser) - R	9361699007	9361699007	
19	Capillary Tube	9363057003	9363057003		361	Bushing	9361725003	9361725003	
21	Discharge Pipe-B	9361882003	---		363	Bracket Panel(Comp)	9361691018	9361691018	
26	Compressor Cover-A	9361935006	9361935006		376	Bracket(Control Box)	9361727007	9361727007	
32	Control Box	9361713000	9361713000		381-2	Locking Spacer	0600035020	0600035020	
34	Capacitor(Fan Motor)	9703306037	9703306037		381-3	Locking Spacer	0600118051	0600118051	
39	Propeller Fan	9361726000	9361726000		405	Clamp No.1763	313816345304	313816345304	
41	Fan Motor Assy-Outer	9600882009	9600882009		407	Clamp(Cable) No.1259	313739340109	313739340109	
42	Bracket Panel(Motor)	9361703001	9361703001		450	Discharge Pipe Assy	9363024005	9363025002	
45	Bracket(Motor)	9361701007	9361701007		477	Bell - Mouth	9361721005	9361721005	
46	Compressor Assy	9361876002	9361876002		519	Check Valve Assy	9363058000	9363058000	
55	Special Nut M8	313252257701	313252257701		519-2	Check Valve	9353020000	9353020000	
69-3	Bolt , Hex.Socket	301210060360	301210060360		527	Condenser Guard	9361724006	9361724006	
82	Check Joint Assy	9363886009	9363886009		560	Flange Assy	9363035001	9363035001	
85	Valve Plate	9363063004	9363063004		561	Branch Gas Pipe	9362047005	9362047005	
86	Gasket	9363272000	9363272000		562	Branch Liquid Pipe	9362046008	9362046008	
87	Bracket(Compressor)	9361694002	9361694002		646	Compressor Cover - B	9361936003	9361936003	
100	Base Foot , Painted	9361688025	9361688025		652-1	Thermistor Holder Pipe	313714262805	313714262805	
117-3	Special Washer M6	313306391007	313306391007		653	Bolt For Fan Motor	0700145087	0700145087	
132	Front Protection Net	9361708006	9361708006		674	Bolt	0700145100	0700145100	
133	Front Panel-L	9361709027	9361709027		678	Bracket (Thermistor)	313557406106	313557406106	
134	Front Panel-R	9361710047	9361710047		761	Side Panel - R, Painted	9361706026	9361706026	
160	Drain Pan	9361700000	9361700000		762	Side Panel - L, Painted	9361705029	9361705029	
164	Separate Wall - Upper	9361693005	9361693005		790-1	Belt Heater - A	9361140042	9361140042	
166	Separate Wall - L	9361695009	9361695009		790-2	Belt Heater - B	9361140059	9361140059	
167	Separate Wall - R	9361696006	9361696006		791	Magnetic Relay	9363277005	9363277005	
172	Pipe Cover	9363470000	9363470000		809	Ball Valve - A	9361937000	9361937000	
176	Bracket(Valve) - A	9361719002	9361719002		810	Ball Valve - B	9361938007	9361938007	
184-1	Thermostat Spring-A	313728262708	313728262708		815-1	Terminal 5P	9363275018	9363275018	
185	Rubber Bushing	313005066051	313005066051		815-2	Terminal 4P	9363276015	9363276015	
187	Clamp No.1219	313361271706	313361271706		816	Wire Clamp Metal	313584219902	313584219902	
195	Clamp SKB - 100	313361275805	313361275805		829	Joint Pipe Assy	9361886001	9362922005	
196-1	Clamp SKB - 3M	312300787605	312300787605		846	Relay	9900295011	9900295011	
196-2	Clamp SKB - 150	313035356905	313035356905		880-1	Network (C - R)	9700987017	9700987017	
226	Reinforcement(Separate Wall)	9361697003	9361697003		918	Thermistor Assy	9703129018	9703129018	
236	Controller PCB Assy	9703055010	9703055010		919-1	Expansion Valve	9361929005	9361929005	
240	Remote Control Unit	9703174018	9703174025		919-2	Expansion Valve Coil	9361930001	9361930001	
245	Condensing Pipe - M	9363031003	9363031003		942	Control Box Cover	9361716001	9361716001	
267	Insulation(Pipe) - C	9363828009	9363828009		949-1	Screw, Painted	9305648009	9305648009	
272	Strainer	9361931008	9361931008		949-2	Screw, Painted	9302348001	9302348001	
289	Reinforcement(Side Panel)	9361704008	9361704008		964	Flare Nut	9363273007	9363273007	
320-1	Wire Clamp Metal	313483219905	313483219905		966	Bonnet	9363274004	9363274004	
327	Suction Pipe - A Assy	9361877009	9361877009		982-1	Cord Clamp	9356857009	9356857009	
333	Accumulator	9361939004	9361939004		982-2	Cord Clamp - B	9356858006	9356858006	

Models : AOY90TPAMA
 AOY90EPAMA

OUTDOOR UNIT

Ref. No.	Description	Part No.		Q'ty	Ref. No.	Description	Part No.		Q'ty
		AOY90TPAMA	AOY90EPAMA				AOY90TPAMA	AOY90EPAMA	
2	Fan Cover	9361723009	9361723009		334	Suction Pipe - B	9361967007	---	
4	Emblem-Rear "FUJITSU"	9359836018	9359836018		343-1	Solenoid Coil	9703342028	---	
9	Rear Panel, Painted	9361712027	9361712027		343-2	Solenoid Coil	9703342035	---	
12	Base Assy	9361684003	9361684003		344	4 - Way Valve	9353532008	---	
15	Strainer	9363293005	9363293005		347	Noise Insulation - D	313712304109	313712304109	
16-1	Condenser-A Assy	9363299014	9363299014		354	Pressure Switch	9703269004	9703269004	
16-2	Condenser-B Assy	9363300017	9363300017		355	Bracket(Condenser) - L	9361698000	9361698000	
26	Compressor Cover-A	9361935006	9361935006		356	Bracket(Condenser) - R	9361699007	9361699007	
32	Control Box	9361713000	9361713000		361	Bushing	9361725003	9361725003	
34	Capacitor(Fan Motor)	9703306037	9703306037		363	Bracket Panel(Comp.)	9361691025	9361691025	
39	Propeller Fan	9361726000	9361726000		376	Bracket(Control Box)	9361727007	9361727007	
41	Fan Motor Assy-Outer	9600882009	9600882009		381-2	Locking Spacer	0600035020	0600035020	
42	Bracket Panel(Motor)	9361703001	9361703001		381-3	Locking Spacer	0600118051	0600118051	
45	Bracket(Motor)	9361701007	9361701007		405	Clamp No.1763	313816345304	313816345304	
46	Compressor Assy	9363451009	9363451009		407	Clamp(Cable) No.1259	313739340109	313739340109	
55	Special Nut M8	313252257701	313252257701		450	Discharge Pipe Assy	9363026009	9363027006	
69-3	Bolt , Hex.Socket	301210060360	301210060360		477	Bell - Mouth	9361721005	9361721005	
82	Check Joint Assy	9363886009	9363886009		519-2	Check Valve	9353020000	9353020000	
87	Bracket(Compressor)	9361694002	9361694002		527	Condenser Guard	9361724006	9361724006	
100	Base Foot , Painted	9361688025	9361688025		646	Compressor Cover - B	9361936003	9361936003	
117-3	Special Washer M6	313306391007	313306391007		652-1	Thermistor Holder Pipe	313714262805	313714262805	
132	Front Protection Net	9361708006	9361708006		653	Bolt, For Fan Motor	0700145087	0700145087	
133	Front Panel-L	9361709027	9361709027		678	Bracket (Thermistor)	313557406106	313557406106	
134	Front Panel-R	9361710047	9361710047		761	Side Panel - R, Painted	9361706026	9361706026	
150	Half Union-B	9357351018	9357351018		762	Side Panel - L, Painted	9361705029	9361705029	
160	Drain Pan	9361700000	9361700000		790-1	Belt Heater - A	9361140042	9361140042	
164	Separate Wall - Upper	9361693005	9361693005		790-2	Belt Heater - B	9361140059	9361140059	
166	Separate Wall - L	9361695009	9361695009		791	Magnetic Relay	9363277005	9363277005	
167	Separate Wall - R	9361696006	9361696006		809	Ball Valve - A	9362578004	9362578004	
172	Pipe Cover	9363470000	9363470000		810	Ball Valve - B	9362579001	9362579001	
176	Bracket(Valve) - B	9361707009	9361707009		815-1	Terminal 5P	9363275018	9363275018	
184-1	Thermostat Spring - A	313728262708	313728262708		815-2	Terminal 8P	9363276022	9363276022	
185	Rubber Bushing	313005066051	313005066051		816	Wire Clamp Metal	313584219902	313584219902	
187	Clamp No.1219	313361271706	313361271706		829-1	Joint Pipe - A Assy	9361948006	9362991001	
195	Clamp SKB - 100	313361275805	313361275805		829-2	Joint Pipe - B Assy	9361969001	9362993005	
196-1	Clamp SKB - 3M	312300787605	312300787605		833	Auxiliary Pipe Assy	9363891003	9363891003	
196-2	Clamp SKB - 150	313035356905	313035356905		846	Relay	9900295011	9900295011	
226	Reinforcement (Separate Wall)	9361697003	9361697003		880-1	Network (C - R)	9700987017	9700987017	
236	Controller PCB Assy	9703056017	9703056017		918	Thermistor Assy	9702925024	9702925024	
240	Remote Control Unit	9703174018	9703174025		919-1	Expansion Valve	9363294002	9363294002	
245	Condensing Pipe - M	9361973008	9361973008		919-2	Expansion Valve Coil	9363291001	9363291001	
267	Insulation(Pipe) - C	313005074759	313005074759		919-3	Expansion Valve Coil	9363290004	9363290004	
272	Strainer	9363293005	9363293005		942	Control Box Cover	9361716001	9361716001	
289	Reinforcement (Side Panel)	9361704008	9361704008		949-1	Screw, Painted	9305648009	9305648009	
296	Condensing Pipe - N	9361974005	9361974005		949-2	Screw, Painted	9302348001	9302348001	
320-1	Wire Clamp Metal	313483219905	313483219905		982-1	Cord Clamp	9356857009	9356857009	
327	Suction Pipe - A Assy	9361944008	9361944008		982-2	Cord Clamp - B	9356858006	9356858006	
333	Accumulator	9363295009	9363295009						

Models : AOY90TPA3L
 AOY90EPA3L

[OUTDOOR P.C.B.]
 CONTROLLER PCB ASSEMBLY

Ref. No.	Description	Part No.	Q'ty	Ref. No.	Description	Part No.	Q'ty
IC1	IC μ PD780024ACW-016	9700949015		R59-R62	Res. Chip 10 Ω \pm 5%	0200230269	
IC2	IC NJM 7805FA	0100462081		R7,R8,R11-R13	Res. Chip 1k Ω \pm 5%	0200212746	
IC9	IC NJM 7824FA	0100462098		R23-R26,R30-R36,			
IC7	IC HU2001	9701651016		R54,R55,R77-R80			
PC1	Photocoupler TLP 621(D4)-GB	0000117074		R1,R3-R5	Res. Chip 4.7k Ω \pm 5%	0200212906	
CN3	Plug, PCB B3P5-VH-B	0500011735		R9,R10,R27,R37-	Res. Chip 10k Ω \pm 5%	0200213019	
CN4	Plug, PCB 179844-1	0501121013		R40,R43,R44,R47,			
CN6	Plug, PCB 179844-4	0501121037		R49,R50-R52,R56-			
CN7	Plug, PCB B3P5-VH-B-C	0500011810		R58,R76,R45			
CN9	Plug, PCB B6B-XAKK-1-A	0501045425		R2	Res. Chip 10k Ω \pm 5%	0200231013	
CN10	Plug, PCB B3B-XASK-1-A	0501045029		R18	Res. Chip 14k Ω \pm 1%	0201114193	
CN11	Plug, PCB B6B-XASK-1-A	0501045050		R17	Res. Chip 38.3k Ω \pm 1%	0201114575	
CN13	Plug, PCB B2P-VH-B	0500011124		R19	Res. Chip 6.65k Ω \pm 1%	0201113806	
CN14	Plug, PCB B5P-SHF-1AA	0500006069		CJ26-CJ28,CJ37	Res. Chip 0 Ω	0200212012	
CN16	Plug, PCB B3P5-VH-B-R	0500011803		C15,C16,C23-C25	Cap. Chip Ceramic 50V 1000pF	0300308509	
CN18	Plug, PCB B3B-XARK-1-A	0501045319		C7,C14,C38-C41,	Cap. Chip Ceramic 50V 0.01 μ F	0300311738	
C3,C4	Cap. Plastic 0.022 μ F	0301052098		C51-C54,CJ35,CJ48			
K1-K5,K7,	Reray JQ1-12V	9701316014		C12,C13,C17-C19,	Cap. Chip Ceramic 50V 0.1 μ F	0300311752	
CR1,CR2,CR4,CR5	CR Absorber RPEL-121204-C	9701125012		C36,C42-C46			
C1,C2	Cap. Plastic 0.22 μ F	0300304099		D1,D23	Diode D1F60	0000208024	
C49	Cap. Ceramic 0.01 μ F	0300209127		D6,D7	Diode DA226U	0000625036	
C5	Cap. Elec. 25V 1000 μ F	0301196495		D11	Diode DAN202K	0000684019	
C6	Cap. Elec. 50V 1000 μ F	0301196822		D20,D21	Diode D1FL20U	0000746519	
C27	Cap. Elec. 450V 100 μ F	0300256060		D2,D3	Diode DTC124EKA	0000906500	
C28	Cap. Plastic 4700pF	0300269091		Q3,Q8,Q14	Xstr DTC124EKA	0000936033	
D14	Diode D3SB60	0000689045		Q5,Q6	Xstr 2SC2712	0000781053	
Q9	Transistor 2SC4236	0000164016		IC3,IC4	Xstr Array μ PA 2003GR	0100028041	
R46	Res. Wire Wound 5W 3.3 Ω \pm 5%	0200244372		IC6	IC PST600CMT	0101461120	
R67	Res. Metal 2W 1.5 Ω \pm 5%	0201107119		IC10	IC NM93C46M8-X	0101622026	
R68	Res. Metal 2W 330k Ω \pm 5%	9703493010		R69	Res. Chip 100 Ω \pm 5%	0200212500	
R81	Res. Metal 2W 62k Ω \pm 5%	0201107997		R70	Res. Chip 330 Ω \pm 5%	0200230627	
R82	Res. Metal 1W 56k Ω \pm 5%	0201106662		R71	Res. Chip 100 Ω \pm 5%	0200731506	
	Heat Sink SP-811K	9700130017		C8,C29-C31	Cap. Elec. 25V 10 μ F	0301192312	
HT1	Heat Sink PUE56-30	9703347016		C47	Cap. Elec. 25V 100 μ F	0301192350	
T1	Switching Transformer ETS29AA175AC	9703059018		C10	Cap. Elec. 50V 100 μ F	0301192589	
VA1-VA3	Varistor TNR12G471K	0000038010		C37	Cap. Elec. 25V 100 μ F	0301197560	
SA1	Arrestor RA-362M-V7-F	0600280154		C35	Cap. Plastic 50V 0.047 μ F	0300169339	
LF1	EMI Filter ELF15N005A	0400165040		LED1-LED6	Diode SLR-325VC RED	0000813259	
F1	Fuse BET 6.3A-250V	0600222574		D18	Diode 1SR139-600	0000353120	
	TC-45CG TO-3P			D19	Diode MTZJ5.1B	0000852166	
SW1	Switch, Slide DSS804	9701393015		Q10	Xstr 2SC1740S	0000699235	
E	Wire w/Terminal GRN L=100	9702313012		X1	Ceramic Resonator EF0EC8384T4	9701261017	
W1	Wire w/Terminal RED L=330	9702929015		FH1,FH2	Fuse Holder PFC5000-0502	0500158072	

Models : AOY90TPAMA
 AOY90EPAMA

[OUTDOOR P.C.B.]
 CONTROLLER PCB ASSEMBLY

Ref. No.	Description	Part No.	Q'ty	Ref. No.	Description	Part No.	Q'ty
IC1	IC μ PD780024ACW-016	9700949015		R59-R66	Res. Chip 10 Ω \pm 5%	0200230269	
IC2	IC NJM 7805FA	0100462081		R7,R8,R11-R15,	Res. Chip 1k Ω \pm 5%	0200212746	
IC9	IC NJM 7824FA	0100462098		R23-R26,R28,			
IC7,IC8	IC HU2001	9701651016		R30-R36,R53-R55,			
PC1	Photocoupler TLP 621(D4)-GB	0000117074		R74,R75,R77-R80		0200212746	
CN3	Plug, PCB B3P5-VH-B	0500011735		R1,R3-R6	Res. Chip 4.7k Ω \pm 5%	0200212906	
CN4	Plug, PCB 179844-1	0501121013		R9,R10,R27,R29,	Res. Chip 10k Ω \pm 5%	0200213019	
CN5	Plug, PCB 179844-2	0501121020		R37-R40,R43-R45,			
CN6	Plug, PCB 179844-4	0501121037		R47-R52,R56-R58,			
CN21	Plug, PCB 179844-6	0501121044		R72,R73,R76			
CN20	Plug, PCB 179844-9	0501121051		R2	Res. Chip 10k Ω \pm 5%	0200231013	
CN7	Plug, PCB B3P5-VH-B-C	0500011810		R18,R20	Res. Chip 14k Ω \pm 1%	0201114193	
CN9	Plug, PCB B10B-XAKK-1-A	0501045555		R17	Res. Chip 38.3k Ω \pm 1%	0201114575	
CN10	Plug, PCB B3B-XASK-1-A	0501045029		R19,R21	Res. Chip 6.65k Ω \pm 1%	0201113806	
CN11	Plug, PCB B6B-XASK-1-A	0501045050		CJ28	Res. Chip 0 Ω	0200212012	
CN12	Plug, PCB B6B-XARK-1-A	0501045418		C15,C23-C25,CJ27,	Cap. Chip Ceramic 50V 1000pF	0300308509	
CN13	Plug, PCB B2P-VH-B	0500011124		C16,CJ26			
CN14	Plug, PCB B5P-SHF-1AA	0500006069		C7,C14,C38-C41,	Cap. Chip Ceramic 50V 0.01 μ F	0300311738	
CN16	Plug, PCB B3P5-VH-B-R	0500011803		C51-C54,CJ35,			
CN18	Plug, PCB B3B-XARK-1-A	0501045319		CJ37,CJ48			
CN19	Plug, PCB B2P-VH-B-R	0500011148		C12,C13,C17-C21,	Cap. Chip Ceramic 50V 0.1 μ F	0300311752	
K1-K9	Relay JQ1-12V	9701316014		C36,C42-C46,C50			
CR1-CR7	CR Absorber RPEL-121204-C	9701125012		D1,D23	Diode D1F60	0000208024	
C1,C2	Cap. Plastic 0.22 μ F	0300304099		D6,D7	Diode DA226U	0000625036	
C49	Cap. Ceramic 0.01 μ F	0300209127		D11,D13,D22	Diode DAN202K	0000684019	
C5	Cap. Elec. 25V 1000 μ F	0301196495		D20,D21	Diode D1FL20U	0000746519	
C6	Cap. Elec. 50V 1000 μ F	0301196822		D2,D3	Diode D2FL20U	0000906500	
C3,C4	Cap. Plastic 0.022 μ F	0301052098		Q3,Q8,Q13,Q14	Xstr DTC124EKA	0000936033	
C27	Cap. Elec. 450V 100 μ F	0300256060		Q5,Q6,Q11,Q12	Xstr 2SC2712	0000781053	
C28	Cap. Plastic 4700pF	0300269091		IC3,IC4	Xstr Array μ PA2003GR	0100028041	
D14	Diode D3SB60	0000689045		IC6	IC PST600CMT	0101461120	
Q9	Xstr 2SC4236	0000164016		IC10	IC NM93C46M8-X	0101622026	
R46	Res. Wire Wound 5W 3.3 Ω \pm 5%	0200244372		Q4	Xstr 2SC2532	0000150019	
R67	Res. Metal 2W 1.5 Ω \pm 5%	0201107119		R69	Res. Chip 100 Ω \pm 5%	0200212500	
R68	Res. Metal 2W 330k Ω \pm 5%	9703493010		R70	Res. Chip 330 Ω \pm 5%	0200230627	
R81	Res. Metal 2W 62k Ω \pm 5%	0201107997		R71	Res. Chip 100 Ω \pm 5%	0200731506	
R82	Res. Metal 1W 56k Ω \pm 5%	0201106662		C8,C29-C33	Cap. Elec. 25V 10 μ F	0301192312	
	Heat Sink SP-811K	9700130017		C47	Cap. Elec. 25V 100 μ F	0301192350	
HT1	Heat Sink PUE56-30	9703347016		C10	Cap. Elec. 50V 100 μ F	0301192589	
T1	Switching Transformer ETS29AA175AC	9703059018		C37	Cap. Elec. 25V 100 μ F	0301197560	
VA1-VA4	Varistor TNR12G471K	0000038010		C35	Cap. Plastic 50V 0.047 μ F	0300169339	
SA1	Arrester RA-362M-V7-F	0600280154		LED1-LED6	SLR-325VC RED	0000813259	
LF1	EMI Filter ELF15N005A	0400165040		D19	Diode 1SR139-600	0000353120	
F1	Fuse BET 6.3A-250V	0600222574		D18	Diode MTZJ5.1B	0000852166	
SW1	Switch, Slide DSS804	9701393015		Q10	Xstr 2SC174OS	0000699235	
E	Wire w/Terminal GRN L=100	9702313012		X1	Ceramic Resonator EF0EC8384T4	9701261017	
W1	Wire w/Terminal RED L=330	9702929015		FH1,FH2	Fuse Holder PFC5000-0502	0500158072	
W2	Wire w/Terminal PINK L=330	9702930011					

Models : ABY18TLAMA
 ABY24TLAMA

Ref. No.	Description	Part No.		Q'ty	Ref. No.	Description	Part No.		Q'ty
		ABY18TLAMA	ABY24TLAMA				ABY18TLAMA	ABY24TLAMA	
3	Louver	9358561010	9358561010		502	Support Stay	9358599006	9358599006	
8-1	Air Filter	9358567012	9358567012		503	Louver Shaft	9358557006	9358557006	
34	Capacitor (Fan Motor)	313810068203	9703306044		505	Louver Stopper	9358555002	9358555002	
36-2	Cord Holder Metal	9356362008	9356362008		506	Louver Rod	9358559000	9358559000	
56	Sirocco Fan Assy	9358621004	9358621004		508	Cosmetic Panel-R	9358535011	9358535011	
67	Rubber (Vibration-proof)	313659068604	313659068604		509	Cosmetic Panel-L	9358536018	9358536018	
68	Cap, Plastic	9358563007	9358563007		514	Control Box Cover	9359097006	9359097006	
108	Base Assy	9359061014	9359061014		520	Flap Base	9358537015	9358537015	
109	Casing, Plastic	9358543009	9358543009		521	Louver Link Cover	935858003	935858003	
124	Dew Proof Plate	9359196006	9359196006		552	Insulation (Eva.)-R	9358575000	9358575000	
126	Motor Fixing Table Assy	9358591000	9358591000		553	Insulation (Eva.)-L	9358857007	9358857007	
127	Drain Hose Assy	9359242000	9359242000		554	Flap Link-Upper (Step Motor-V)	9358551004	9358551004	
138	Separate Wall-A	9358584002	9358584002		555	Flap Link-Lower (Step Motor-V)	9358552001	9358552001	
146	Evaporator Assy	9359310013	9358870013		558	Motor Rod-A (Step Motor-V)	9358550007	9358550007	
147	Inlet Pipe (Eva.) Assy, Welded	9359263005	—		574-1	Evaporator Fixture-R (Bracket)	9358589007	9358589007	
160	Drain Pan Assy	9358568002	9358568002		574-2	Evaporator Fixture-L (Bracket)	9358590003	9358590003	
164	Fan Motor Assy-IN	9600778029	9600778043		577	Catch TL-119	9359096009	9359096009	
173	Hanger Bracket-L	9358596005	9358596005		578	Base Bracket (Reinforcement Metal)	9358586006	9358586006	
174	Hanger Bracket-R	9358595008	9358595008		580	Top Cover	9358534014	9358534014	
184-1	Thermo. Spring-A	313728262708	313728262708		581	Protector Metal (F. Motor)	9359282006	9359282006	
187	Clamp No.1219	313361271706	313361271706		588-1	Evaporator Bracket-R	9358587003	9358587003	
195	Clamp SKB-100	313361275805	313361275805		588-2	Evaporator Bracket-L	9358588000	9358588000	
196-1	Clamp SKB-3M	312300787605	312300787605		625	Cord Bushing KR-51	9359240006	9359240006	
223	Control Box	9358600016	9358600016		628	Locking Spacer-B	313005446558	313005446558	
234	Thermistor Assy-Room	9703299025	9703299025		629	EMI Filter	0400056133	0400056133	
235	Thermistor Assy-Pipe	9701102068	9701102068		652-1	Thermistor Holder Pipe	313806262805	313806262805	
236	Control PCB Assy	9702349028	9702349028		653-1	Bolt (Fan Motor Fixing)	0700156014	0700156014	
320	Flap (Upper)-O	9358540015	9358540015		653-2	Bolt	0700190018	0700190018	
321	Flap (Lower)	9358541012	9358541012		684	Motor Base	9358562000	9358562000	
329	Coupling Pipe Assy	9359267003	9358819005		731-2	Holder (Guide Rail)	0600241018	0600241018	
338	Motor Fixture	9358594001	9358594001		735	Distributor Assy	—	9358814000	
361	Bushing	9357942001	9357942001		755	Casing Cover	9358544006	9358544006	
361-2	Bushing-B, Plastic	9358554005	9358554005		764	Drain Cap	9358746004	9358746004	
361-3	Bushing-C, Plastic	9358553008	9358553008		771	Panel Assy "FUJI"	9359076032	9359076032	
365-1	Special Screw	9359092001	9359092001		815	Terminal-7P	9703403026	9703403026	
365-2	Special Screw	9359091004	9359091004		824-3	Fuse BET 3.15A-250V	0600222512	0600222512	
381	Locking Spacer, KGLS-4S	313209391506	313209391506		868	PCB Holder	9358547007	9358547007	
385	Indicator PCB Assy EZ-0964HSE-D	9701873012	9701873012		870-1	Arm	9358565001	9358565001	
407	Motor Rod	9358560006	9358560006		870-2	Center Arm	9359280002	9359280002	
408	Louver Link	9358556009	9358556009		875	Filter PCB Assy	9703085017	9703085017	
416	Insulation (Panel)-A	9358574003	9358574003		876-1	Step Motor-H	9359106012	9359106012	
417	Insulation (Panel)-B	9358914007	9358914007		876-2	Step Motor-V	9359105015	9359105015	
418	Insulation (Flap Base)	9358572009	9358572009		923	Control Box Bracket	9358717004	9358717004	
422	Clamp NK-10N	9359183006	9359183006		982	Cord Clamp	9357886008	9357886008	
439	Drain Pan Wire	9358598009	9358598009						
443	Arm Bracket	9359281009	9359281009						
470	Separate Wall-B	9358585009	9358585009						
472	Grille Support	9358602003	9358602003						
473	Filter Bracket	9358607008	9358607008						
488	Grille-G	9358533017	9358533017						
500	Protect Cover	9358564004	9358564004						

Optional Parts For Indoor Unit			
Ref. No.	Description	Part No.	Q'ty
772	Joint Pipe - A	9302812021	

Models : ABY30TLAMA
 ABY36TLAMA
 ABY45TLAMA

Ref. No.	Description	Part No.			Q'ty	Ref. No.	Description	Part No.			Q'ty
		ABY30TLAMA	ABY36TLAMA	ABY45TLAMA				ABY30TLAMA	ABY36TLAMA	ABY45TLAMA	
3	Louver	9359719007	9359719007	9359719007		345-2	Filter Guide-L	9359693000	9359693000	9359693000	
8	Air Filter	9359739005	9359739005	9359739005		361	Bushing	9359733003	9359733003	9359733003	
34	Capacitor(Fan Motor)	9703306068	9703306068	9703306068		379	Hinge Grille Plate	9359694007	9359694007	9359694007	
56	Sirocco Fan Assy	9359701002	9359701002	9359701002		380	Locking Spacer KGLS-6S	313209391403	313209391403	313209391403	
63	Front Panel	9359734000	9359734000	9359734000		381-4	Locking Spacer	0600118075	0600118075	0600118075	
74	Intake Grille	9359738008	9359738008	9359738008		382	Decoration Cover-R	9359744009	9359744009	9359744009	
91	Hinge	9359699002	9359699002	9359699002		383	Decoration Cover-L	9359745006	9359745006	9359745006	
108	Base Assy	9359680000	9359680000	9359680000		384	Shaft, (Sirocco Fan)	9359707004	9359707004	9359707004	
109	Casing	9359704003	9359704003	9359704003		385	Indicator PCB Assy	9702260019	9702260019	9702260019	
122	Shaft Holder-B	9357921006	9357921006	9357921006		386	Panel-L	9359685005	9359685005	9359685005	
126	Motor Fixing Table	9359681007	9359681007	9359681007		387	Panel-R	9359683001	9359683001	9359683001	
138	Separate Wall	9359700005	9359700005	9359700005		388	Joint Assy	9359706007	9359706007	9359706007	
146	Evaporator Assy	9359696001	9359696001	9359696001		396	Reinforcement Metal	9359697008	9359697008	9359697008	
160	Drain Pan	9359698005	9359698005	9359698005		403	Shaft Holder Fixture	9359687009	9359687009	9359687009	
164	Fan Motor Assy-IN	9360457004	9360457004	9360457004		407	Motor Rod	9359723004	9359723004	9359723004	
174	Hanger Bracket	9359742005	9359742005	9359742005		408	Louver Link	9359726005	9359726005	9359726005	
181	Hole Cover	9359691006	9359691006	9359691006		424	Sector Gear	9359729006	9359729006	9359729006	
185-1	Rubber Bushing	9357376004	9357376004	9357376004		434	Louver Base	9359718000	9359718000	9359718000	
186	Edge Cover	9361049017	9361049017	9361049017		435	Louver Spring	9359720003	9359720003	9359720003	
187	Clamp No.1219	313361271706	313361271706	313361271706		436	Flap Spring	9359730002	9359730002	9359730002	
195	Clamp SKB-100	313361275805	313361275805	313361275805		438	Pinion Gear	9359728009	9359728009	9359728009	
223	Control Box Assy	9359708001	9359708001	9359708001		448	Control Box Metal-B	9359713005	9359713005	9359713005	
227	Badge "FUJI"	9359735014	9359735014	9359735014		472	Control Box Metal-A	9359712008	9359712008	9359712008	
228	Insulation (Louver)-R	9359721000	9359721000	9359721000		505	Louver Stopper	9359724001	9359724001	9359724001	
229	Insulation (Louver)-L	9359722007	9359722007	9359722007		506	Louver Rod	9359725008	9359725008	9359725008	
234	Thermistor Assy-Room	9703299025	9703299025	9703299025		580	Top Cover	9359737001	9359737001	9359737001	
236	Controller PCB Assy	9702349080	9702349073	9702349011		625	Cord Bushing	9359240006	9359240006	9359240006	
240-1	Pipe Cover-L	9359690009	9359690009	9359690009		684	Motor Base	9359727002	9359727002	9359727002	
240-2	Pipe Cover-R	9359689003	9359689003	9359689003		735	Distributor Assy	9363002003	9363002003	9363002003	
253-1	Wire Assy (Terminal)	9703440014	9703440014	9703440014		752	Pipe Fixture	9359688006	9359688006	9359688006	
253-2	Wire Assy (Terminal)	9703441011	9703441011	9703441011		755	Casing Cover	9359705000	9359705000	9359705000	
253-3	Wire Assy (Connector)	9702311018	9702311018	9702311018		761	Side Cover-R	9359740001	9359740001	9359740001	
253-4	Wire Assy (Connector)	9702323011	9702323011	9702323011		762	Side Cover-L	9359741008	9359741008	9359741008	
253-5	Wire Assy (Connector)	9702319014	9702319014	9702319014		763	Receiver Cover	9359714002	9359714002	9359714002	
253-6	Wire Assy (Connector)	9702317010	9702317010	9702317010		815	Terminal-7P	9703403026	9703403026	9703403026	
253-7	Wire Assy (Connector)	9702318017	9702318017	9702318017		868	PCB Holder	9359736004	9359736004	9359736004	
286	Shaft Holder Bracket	9359686002	9359686002	9359686002		875	Filter PCB Assy	9702219017	9702219017	9702219017	
321	Flap Assy	9359731009	9359731009	9359731009		876-1	Step Motor-H	9360479013	9360479013	9360479013	
329	Coupling Pipe Assy	9361160002	9360456007	9360456007		876-2	Step Motor-V	9360307026	9360307026	9360307026	
338-1	Motor Fixture	9359702009	9359702009	9359702009		982-1	Cord Clamp-A	9359820017	9359820017	9359820017	
338-2	Motor Fixture-B	9359703006	9359703006	9359703006		982-2	Cord Clamp-B	9359821014	9359821014	9359821014	
345-1	Filter Guide-R	9359692003	9359692003	9359692003							

Model : AUY18TLAMA

Ref. No.	Description	Part No.	Q'ty	Ref. No.	Description	Part No.	Q'ty
		AUY18TLAMA				AUY18TLAMA	
34	Capacitor (Fan Motor)	9700468165		465	Body-B	9359645009	
67	Rubber	9361279001		467	Drain Port	313005415658	
117-3	Sepecial Washer M6	313306391007		468	Special Nut-A(Large)	313005446653	
127	Drain Hose	9359659013		469	Special Nut-B(Small)	313005446759	
138	Separate Wall-A	9359647003		470	Separate Wall-B	9359648000	
146	Evaporator Assy	9360640017		474	Turbo Fan	9359658009	
147	Inlet Pipe(Eva.) Assy	9360010018		475	Tubro Fan Rubber	313005445054	
160	Drain Pan	9359651000		476-1	Special Nut-M8	313005360755	
164	Fan Motor Assy-IN	9600868010		476-2	Special Washer	301801185049	
184-1	Thermo. Spring-A	313728262708		476-3	Special Washer	9359954002	
185	Rubber Bushing	9364122014		478	Sensor M. Bracket	9359654001	
187	Clamp No.1219	313361271706		479	Float Switch	313005416154	
195	Clamp SKB-100	313361275805		482	Pump Unit	9359974000	
196-2	Clamp SKB-150	313035356905		484	Hanger Metal	9359644002	
223	Control Box	9359661016		488	Drain Pan Plug	9359653004	
232	Outlet Pipe(Eva.) Assy	9360011015		495	Clamp No.2U46	9352715006	
234	Thermistor Assy-Room	9703299032		514	Control Box Cover	9359662006	
235	Thermistor Assy-Pipe	9701947027		628	Locking Spacer-B	313005446558	
236	Controllor PCB Assy	9702349110		652-1	Therm. Holder Pipe	313806262805	
244	Pipe Cover	9359646006		797	Separate Wall-C	9359649007	
287	Cap (Power)	9352173011		798	Pump Hook Bracket	9359650003	
301	Clamp NK-2N	313985355201		815	Terminal - 7P	9703403019	
313	Hooking Wire	9359983002		824-3	Fuse	0600222512	
338	Motor Fixture	9359656005		834	Wire Cover	9359878001	
381	Locking Spacer	313209391506		835	Cushion-A, For Pump	9352211003	
395	Supporter (Eva.)	9359669005		836	Cushion-B, For Pump	9356084016	
399	Air Duct	9359660002		875	Filter PCB Assy	9702219017	
411	Supporter-A	9359655008		964	Flare Nut-A	313996239804	
430	Clamp NK-7N	313095365602		965	Flare Nut-B	9351062019	
457	Drain Pan Support	9359652007		967-2	Bonnet-B	9301858006	
462	Top Cover Plate	9359642015		989-1	Cord Clamp-A	9359822011	
464	Body-A	9359643005		989-2	Cord Clamp-B	9359823018	

UTG-UDYB-W
 (Grille for AUY18TLAMA)

Ref. No.	Description	Part No.
93	Filter	9359632009
165	Motor cover	9359623014
196	Clamp SKB-100	313035356905
226	Motor gear	9359629009
385	Indicator PCB	9702224011
392	Cover-A	9356922017
416	Insulation (panel)-A	9359620006
417	Insulation (panel)-B	9359621003
690	Joint-A	9359626008
691	Joint-B	9359627005
692	Joint Shaft	9359625001
694	Cam gear	9359628002
700	Panel	9359619017
705	Louver	9359624011
710	Intake grille	9359631019
711-1	Filter clamp-A	9359634003
711-2	Filter clamp-B	9359635000
758	Decoration Plate-A	9360039019
763	Receiver cover	9359630005
776	Grille stopper	9359633013
777	Grille hook	9359761006
876-2	Step motor-V	9360307019

Models : AUY25TLAMA
 AUY30TLAMA

Ref. No.	Description	Part No.		Q'ty	Ref. No.	Description	Part No.		Q'ty
		AUY25TLAMA	AUY30TLAMA				AUY25TLAMA	AUY30TLAMA	
34	Capacitor (Fan Motor)	9703306068	9703306068		472-1	Grille Reinforcement-A	9362738002	9362738002	
47-1	Rubber (Discharge Pipe)	313194159807	313194159807		472-2	Grille Reinforcement-B	9362739009	9362739009	
61	Decoration Plate	9363133004	9363133004		472-3	Grille Reinforcement-C	9362740005	9362740005	
67	Rubber (Vibration-proof)	9362783002	9362783002		472-4	Grille Reinforcement-D	9362741002	9362741002	
71	Grille Hook Holder	9362782005	9362782005		472-5	Grille Reinforcement-E	9362742009	9362742009	
93	Filter	9362766005	9362766005		474	Turbo Fan Assy	9362803014	9362803014	
117-3	Hex. Nut w/Spring Washer	301721180114	301721180114		476-2	Special Washer	9362756006	9362756006	
122	Louver Support Holder	9362799003	9362799003		479	Float Switch	9703285004	9703285004	
127	Drain Hose	9362784009	9362784009		482	Pump Unit	9703125010	9703125010	
138	Separate Wall	9362737005	9362737005		484	Hook	9362736008	9362736008	
143-1	Clamp NK-3N	313361274700	313361274700		487	Grille Hinge Wire	9362754002	9362754002	
143-3	Clamp NK-6N	9305657001	9305657001		488	Drain Pan Plug	313005174654	313005174654	
146-1	Evaporator-A Assy	9364172002	9364172002		514	Control Box Cover	9362763004	9362763004	
147	Inlet Pipe (Eva) Assy	9364126005	9364126005		522	Joint Gear	9362772006	9362772006	
155	Special Nut M6	9307615016	9307615016		541	Terminal Plate	9363642001	9363642001	
160	Drain Pan Assy	9362804004	9362804004		542	Panel Base	9362759014	9362759014	
164	Fan Motor Assy-IN	9600878019	9600878019		543	Panel Frame Holder	9362761017	9362761017	
168	Cabinet-E	9362735001	9362735001		544	Panel Base Holder	9362760010	9362760010	
184-1	Thermo. Spring-A	313728262708	313728262708		545	Panel Frame	9362758017	9362758017	
187	Clamp No.1219	313361271706	313361271706		563	Insulation (Inner Box)	9362768009	9362768009	
195	Clamp SKB-100	313361275805	313361275805		565	Eva. Holder Assy	9362802017	9362802017	
196-2	Clamp SKB-150	313035356905	313035356905		568	Noise Insulation	9363143003	9363143003	
197	Wind Guide Board	9363117004	9363117004		628	Locking Spacer-B	313005446558	313005446558	
223	Control Box	9362762007	9362762007		652-1	Therm. Holder Pipe	313806262805	313806262805	
226	Motor Gear	9362764001	9362764001		690	Joint-A	9362773003	9362773003	
232	Outlet Pipe (Eva) Assy	9364127002	9364127002		692	Joint Shaft	9362771009	9362771009	
234	Thermistor Assy-Room	9703299025	9703299025		705	Louver	9362769013	9362769013	
235	Thermistor Assy-Pipe	9703297014	9703297014		710	Intake Grille-B	9362854016	9362854016	
236	Controller PCB Assy	9702349035	9702349042		777-1	Grille Hook-A	9362779012	9362779012	
244	Pipe Cover	9362748001	9362748001		777-2	Grille Hook-B	9362778015	9362778015	
326	Joint, 3-Way	9359419006	9359419006		798	Pump Hook Bracket	9362753005	9362753005	
337-1	Reinforcement (Eva)-A	9362749008	9362749008		803	Cabinet-D	9362734004	9362734004	
337-2	Reinforcement (Eva)-B	9362750004	9362750004		814	Cabinet-C	9362733007	9362733007	
338	Motor Holder	9362765008	9362765008		815-1	Terminal 3P	9306489052	9306489052	
381	Locking Spacer	313209391506	313209391506		815-2	Terminal 3P	9703345012	9703345012	
457	Reinforcement (Drain Pan)	9362757003	9362757003		824-3	Fuse	0600285210	0600285210	
460-1	Pump Cover-A	9362775007	9362775007		834-1	Wire Cover-A	9362789004	9362789004	
460-2	Pump Cover-B	9362776004	9362776004		834-2	Wire Cover-B	9362788007	9362788007	
462	Top Cover Plate	9362806015	9362806015		835	Cushion Rubber (Pump)	9362777001	9362777001	
464	Cabinet-A	9362800013	9362800013		847	Louver Supporter	9362770019	9362770019	
465	Cabinet-B	9362801010	9362801010		858	Grille Spring	9362755009	9362755009	
467	Drain Port	9362786003	9362786003		875	Filter PCB Assy	9703071010	9703071010	
468	Special Nut-A (Large)	313005446653	313005446653		876-2	Step Motor	9360307019	9360307019	
477	Bellmouth (B)	9362774000	9362774000		967	Bonnet-B	313045417959	313045417959	
469	Special Nut-B (Small)	313005446759	313005446759		982-1	Cord Clamp	9356857009	9356857009	

Models : AUY36TLAMA
 AUY45TLAMA

Ref. No.	Description	Part No.		Q'ty	Ref. No.	Description	Part No.		Q'ty
		AUY36TLAMA	AUY45TLAMA				AUY36TLAMA	AUY45TLAMA	
34	Capacitor (Fan Motor)	9703306068	9703306068		472-5	Grille Reinforcement-E	9362742009	9362742009	
47-1	Rubber (Discharge Pipe)	313194159807	313194159807		474	Turbo Fan Assy	9362803014	9362803014	
61	Decoration Plate	9363133004	9363133004		476-2	Special Washer	9362756006	9362756006	
67	Rubber (Vibration-proof)	9362783002	9362783002		477	Bellmouth (B)	9362774000	9362774000	
71	Grille Hook Holder	9362782005	9362782005		479	Float Switch	9703285004	9703285004	
93	Filter	9362766005	9362766005		482	Pump Unit	9703125010	9703125010	
117-3	Hex. Nut w/Spring Washer	301721180114	301721180114		484	Hook	9362736008	9362736008	
122	Louver Support Holder	9362799003	9362799003		487	Grille Hinge Wire	9362754002	9362754002	
127	Drain Hose	9362784009	9362784009		488	Drain Pan Plug	313005174654	313005174654	
138	Separate Wall	9362737005	9362737005		514	Control Box Cover	9362763004	9362763004	
143-1	Clamp NK-3N	313361274700	313361274700		522	Joint Gear	9362772006	9362772006	
143-3	Clamp NK-6N	9305657001	9305657001		540	Bypass Pipe-B	9363152005	9363152005	
146-1	Evaporator-A Assy	9363149005	9363149005		541	Terminal Plate	9363642001	9363642001	
146-2	Evaporator-B Assy	9363150001	9363150001		542	Panel Base	9362759014	9362759014	
155	Special Nut M6	9307615016	9307615016		543	Panel Frame Holder	9362761017	9362761017	
160	Drain Pan Assy	9362804004	9362804004		544	Panel Base Holder	9362760010	9362760010	
164	Fan Motor Assy-IN	9600878019	9600878019		545	Panel Frame	9362758017	9362758017	
168	Cabinet-E	9362735001	9362735001		563	Insulation (Inner Box)	9362768009	9362768009	
184-1	Thermo. Spring-A	313728262708	313728262708		564	Bypass Pipe-A Assy	9363151008	9363151008	
187	Clamp No.1219	313361271706	313361271706		565	Eva. Holder Assy	9362802017	9362802017	
195	Clamp SKB-100	313361275805	313361275805		568	Noise Insulation	9363143003	9363143003	
196-2	Clamp SKB-150	313035356905	313035356905		628	Locking Spacer-B	313005446558	313005446558	
197	Wind Guide Board	9363117004	9363117004		652-1	Therm. Holder Pipe	313806262805	313806262805	
223	Control Box	9362762007	9362762007		690	Joint-A	9362773003	9362773003	
226	Motor Gear	9362764001	9362764001		692	Joint Shaft	9362771009	9362771009	
234	Thermistor Assy-Room	9703299025	9703299025		705	Louver	9362769013	9362769013	
235	Thermistor Assy-Pipe	9703297014	9703297014		710	Intake Grille-B	9362854016	9362854016	
236	Controller PCB Assy	9702349103	9702349097		735	Distributor Assy	9364155005	9364155005	
244	Pipe Cover	9362748001	9362748001		777-1	Grille Hook-A	9362779012	9362779012	
337-1	Reinforcement (Eva)-A	9362749008	9362749008		777-2	Grille Hook-B	9362778015	9362778015	
337-2	Reinforcement (Eva)-B	9362750004	9362750004		798	Pump Hook Bracket	9362753005	9362753005	
338	Motor Holder	9362765008	9362765008		803	Cabinet-D	9362734004	9362734004	
381	Locking Spacer	313209391506	313209391506		814	Cabinet-C	9362733007	9362733007	
457	Reinforcement (Drain Pan)	9362757003	9362757003		815-1	Terminal 3P	9306489052	9306489052	
460-1	Pump Cover-A	9362775007	9362775007		815-2	Terminal 3P	9703345012	9703345012	
460-2	Pump Cover-B	9362776004	9362776004		824-3	Fuse	0600285210	0600285210	
462	Top Cover Plate	9362806015	9362806015		834-1	Wire Cover-A	9362789004	9362789004	
464	Cabinet-A	9362800013	9362800013		834-2	Wire Cover-B	9362788007	9362788007	
465	Cabinet-B	9362801010	9362801010		835	Cushion Rubber (Pump)	9362777001	9362777001	
467	Drain Port	9362786003	9362786003		847	Louver Supporter	9362770019	9362770019	
468	Special Nut-A (Large)	313005446653	313005446653		858	Grille Spring	9362755009	9362755009	
469	Special Nut-B (Small)	313005446759	313005446759		875	Filter PCB Assy	9703071010	9703071010	
472-1	Grille Reinforcement-A	9362738002	9362738002		876-2	Step Motor	9360307019	9360307019	
472-2	Grille Reinforcement-B	9362739009	9362739009		897	Coupling Pipe-A Assy	9363153002	9363153002	
472-3	Grille Reinforcement-C	9362740005	9362740005		898	Coupling Pipe-B Assy	9363155006	9363155006	
472-4	Grille Reinforcement-D	9362741002	9362741002		982-1	Cord Clamp	9356857009	9356857009	

Models : ARY25TLAMA, ARY30TLAMA
 ARY36TLAMA, ARY45TLAMA

Ref. No.	Description	Part No.				Q'ty
		ARY25TLAMA	ARY30TLAMA	ARY36TLAMA	ARY45TLAMA	
4	Emblem-Rear	9351355005	9351355005	9351355005	9351355005	
34	Capacitor (Fan Motor)	9700467083	9700468035	9700468035	9700468042	
36-2	Cord Holder Metal	9356362008	9356362008	9356362008	9356362008	
56	Sirocco Fan Assy	9356531022	9356531022	9356531022	9356531022	
57	Hex. Socket Screw	313616213202	313616213202	313616213202	313616213202	
64	Cabinet-Left Metal	9356551006	9356551006	9356551006	9356551006	
67	Rubber (Vibration-proof)	313659068604	313659068604	313659068604	313659068604	
69	Cabinet-Right	9356547009	9356547009	9356547009	9356547009	
74	Intake Panel	9356537000	9356537000	9356537000	9356537000	
75	Outlet Panel Assy	9356538007	9356538007	9356538007	9356538007	
108	Base Assy	9356518009	9356518009	9356518009	9356518009	
109	Casing Assy	9356527001	9356527001	9356527001	9356527001	
126	Motor Fixing Table Assy	9356533002	9356533002	9356533002	9356533002	
138	Separate Wall	9356523003	9356523003	9356523003	9356523003	
143-1	Clamp NK-3N	313361274700	313361274700	313361274700	313361274700	
146	Evaporator Assy	9356524017	9356524017	9356524017	9356524017	
160	Drain Pan Assy	9356542028	9356542028	9356542028	9356542028	
164	Fan Motor Assy-IN	9600830024	9600830017	9600830017	9600830017	
173	Hanger Bracket	9356563009	9356563009	9356563009	9356563009	
184-1	Thermo. Spring-A	313728262708	313728262708	313728262708	313728262708	
185-1	Rubber Bushing	9357376004	9357376004	9357376004	9357376004	
187	Clamp No.1219	313361271706	313361271706	313361271706	313361271706	
195	Clamp SKB-100	313361275805	313361275805	313361275805	313361275805	
196-1	Clamp SKB-3M	312300787605	312300787605	312300787605	312300787605	
223	Control Box Metal	9356558005	9356558005	9356558005	9356558005	
234	Thermistor Assy-ROOM	9703299056	9703299056	9703299056	9703299056	
235	Thermistor Assy-Pipe	9703297045	9703297045	9703297045	9703297045	
236	Controller PCB Assy	9702349059	9702349059	9702349059	9702349059	
287	Cap. (Power)	9352173011	9352173011	9352173011	9352173011	
324	Top Plate	9356546002	9356546002	9356546002	9356546002	
329	Coupling Pipe Assy	9357876009	9361547001	9357005003	9357005003	
338	Motor Fixture	9356536003	9356536003	9356536003	9356536003	
381	Locking Spacer	313209391506	313209391506	313209391506	313209391506	
394	Pipe Fixing Plate	9356554007	9356554007	9356554007	9356554007	
448	Control Box Metal-B	9356560008	9356560008	9356560008	9356560008	
466	Clamp NK-4N	313714328805	313714328805	313714328805	313714328805	
735	Distributor Assy	9357875002	9361543003	9357004006	9357004006	
764	Drain Cap	9356541007	9356541007	9356541007	9356541007	
815	Terminal-7P	9703403019	9703403019	9703403019	9703403019	
875	Filter PCB Assy	9703402012	9703171017	9703171017	9703171017	
924	Intake Seal Plate	9356553000	9356553000	9356553000	9356553000	
955	Square Flange Assy	9356555004	9356555004	9356555004	9356555004	
956	Control Box Metal-E	9356900002	9356900002	9356900002	9356900002	
957	Eva. Fixing Plate-R	9356521009	9356521009	9356521009	9356521009	
958	Eva. Fixing Plate-L	9356522006	9356522006	9356522006	9356522006	
959	Eva. Seal Plate	9356540000	9356540000	9356540000	9356540000	
968	Relay PCB Assy	————	9701594030	9701594030	9701594030	

Models : ABY18TLAMA
 ABY24TLAMA

[INDOOR P.C.B.]
 CONTROLLER PCB ASSEMBLY

Ref. No.	Description	Part No.		Q'ty	Ref. No.	Description	Part No.		Q'ty
		ABY18TLAMA	ABY24TLAMA				ABY18TLAMA	ABY24TLAMA	
IC1	IC μ PD78014HCW-025	9700856023	9700856023		JM9	Res. 1/4W 0 Ω	0200230016	0200230016	
IC2	IC NJM7812FA	0100462104	0100462104		C5	Cap. Elec. 450V 100 μ F	0300256060	0300256060	
IC3	IC NJM7805FA	0100462081	0100462081		C6	Cap. Plastic 4700pF	0300269091	0300269091	
IC4-6	Xstr μ PA2003GR	0100028041	0100028041		C7	Cap. Plastic 50V 0.047 μ F	0300169339	0300169339	
IC7	IC NM93C46M8-X	0101622026	0101622026		C8	Cap. Elec. 25V 100 μ F	0301197560	0301197560	
IC8	IC PST600CMTR	0101461120	0101461120		C9	Cap. Elec. 25V 1000 μ F	0301196495	0301196495	
IC10	IC HI2002	9701384020	9701384020		C10,11,33,36	Cap. Elec. 25V 10 μ F	0301192312	0301192312	
IC11	IC BA10358FE2	0101846071	0101846071		C12	Cap. Elec. 25V 1000 μ F	0301158264	0301158264	
Q1	Xstr 2SC4236	0000164047	0000164047		C13,15,34,37,39,44,45	Cap. Ceramic 50V 0.1 μ F	0300311752	0300311752	
Q2	Xstr 2SC1740S	0000699235	0000699235		C14	Cap. Elec. 25V 100 μ F	0301192350	0301192350	
Q3,4	Xstr DTC124EKA	0000936033	0000936033		C16,17,19-31,38,40,46,49,CJ1	Cap. Ceramic 50V 0.01 μ F	0300311738	0300311738	
Q5,6	Xstr 2SC2712	0000781053	0000781053		C32,35,50-53	Cap. Ceramic 50V 1000pF	0300308509	0300308509	
D1	Diode D3SB60	0000689045	0000689045		C54	Cap. Ceramic 0.01 μ F	0300209127	0300209127	
D2,4,7	Diode D1FL20U	0000746519	0000746519		K1,3,4	Relay JQ1-12V	9701316014	9701316014	
D3	Diode MTZJ5.1B	0000852166	0000852166		SSR1	Relay G3M-202P-UTU	9701829019	9701829019	
D5	Diode 1SR139-600	0000353120	0000353120		SW1	Switch, Slide DSS803	9701392018	9701392018	
D6	Diode D2FL20U	0000906500	0000906500		SW2	Switch, Rotary DRS4016-5	9701694013	9701694013	
D10	Diode DA226U	0000625036	0000625036		T1	Switching Transformer ETS28AS118AH	9702727017	9702727017	
D12	Diode DAN202K	0000684019	0000684019		X1	Ceramic Resonator EF0EC8384T4	9701261017	9701261017	
R1	Res. Wire Wound 5W 3.3 Ω ±5%	0200244372	0200244372		L2-4	EMI Filter EXCEMT103DT	0400406396	0400406396	
R2	Res. Metal 2W 1.5 Ω ±5%	0201107119	0201107119		VA3	Varistor TNR12G471K	0000038010	0000038010	
R3	Res. 1/10W 100 Ω ±5%	0200212500	0200212500		CR1	Network RPEL-121204-C	9701125012	9701125012	
R4	Res. Carbon 1W 220k Ω ±5%	0200111353	0200111353		CN1	Plug, PCB B3P5-VH-B-C	0500011810	0500011810	
R5	Res. Metal 2W 47k Ω ±5%	0201107652	0201107652		CN4	Plug, PCB B2P3-VH-B-Y	0500011827	0500011827	
R6	Res. 1/2W 100 Ω ±5%	0200731506	0200731506		CN5	Plug, PCB 5430C063	0500957026	0500957026	
R7	Res. 1/4W 330 Ω ±5%	0200708621	0200708621		CN6	Plug, PCB B2P3-VH-B-E	0500011759	0500011759	
R8,10,14-17,21-24,29-32,37,39,48,50,52,55,59-61,66,68	Res. 1/10W 10k Ω ±5%	0200213019	0200213019		CN7	Plug, PCB B2B-XAKK-1-A	0501045227	0501045227	
R9,47,65	Res. 1/10W 390 Ω ±5%	0200212647	0200212647		CN8	Plug, PCB B2B-XASK-1-A	0501045012	0501045012	
R18-20,25-28,33-36,38,42,44,46,49,51,58,67	Res. 1/10W 1k Ω ±5%	0200212746	0200212746		CN9	Plug, PCB B2P-SHF-1AA	0500006069	0500006069	
R40,41,62	Res. 1/10W 4.7k Ω ±5%	0200212906	0200212906		CN10	Plug, PCB B5B-XASK-1-A	0501045043	0501045043	
R43	Res. 1/10W 10k Ω ±5%	0200279497	0200279497		CN11	Plug, PCB B5B-XARK-1-A	0501045517	0501045517	
R45	Res. 1/10W 49.9k Ω ±5%	0200279824	0200279824		CN13	Plug, PCB B8B-XH-AM	0501045074	0501045074	
R63	Res. 1/10W 15.4k Ω ±1%	0200279565	0200279565		CN14	Plug, PCB B4B-XH-AM	0500005314	0500005314	
R64	Res. 1/10W 28k Ω ±1%	0201114445	0201114445		CN15	Plug, PCB B3B-XARK-1-A	0501045319	0501045319	
CJ2	Res. 1/10W 0 Ω	0200212012	0200212012		CN17	Plug, PCB B3B-XAKK-1-A	0501045357	0501045357	
					JM2-6	Wire 0.6 dia. L=10mm	9700025016	9700025016	

INDICATOR PCB ASSEMBLY (Ref. No. 385)

Ref. No.	Description	Part No.		Q'ty	Ref. No.	Description	Part No.		Q'ty
		ABY18TLAMA	ABY24TLAMA				ABY18TLAMA	ABY24TLAMA	
D201	Diode SLR-325VC RED	0000813259	0000813259		PHA201	Remote Control Amplifier SBX1810-22	0101525129	0101525129	
D202	Diode SLR-325MC GRN	0000813242	0000813242		SW201	Switch, EVQ-PAG-04K	9700450016	9700450016	
D203,D204	Diode SLR-325DC ORG	0000813235	0000813235		CN201	Wire w/Connector JC25/XMR	9701875016	9701875016	
C201	Cap. Ceramic 0.1 μ F	0300988251	0300988251			Lamp Holder 94N40	9358548004	9358548004	
C202	Cap. Elec 25V 10 μ F	0300004258	0300004258		JM201	Wire 0.6dia L=10mm	9700025016	9700025016	
R201-204	Res. Carbon 1/4W 330 Ω ±5%	0201038659	0201038659						

FILTER PCB ASSEMBLY (Ref. No. 875)

Ref. No.	Description	Part No.		Q'ty	Ref. No.	Description	Part No.		Q'ty
		ABY18TLAMA	ABY24TLAMA				ABY18TLAMA	ABY24TLAMA	
C101,102	Cap. Plastic 0.22 μ F	0300304099	0300304099		F101	Fuse BET3.15A-250V	0600222512	0600222512	
C105,106	Cap. Plastic 0.022 μ F	0301052098	0301052098		FH1,2	Fuse Holder PFC5000-0502	0500158072	0500158072	
SA101	Arrester DSA-362MA-05	0600168032	0600168032		E101	Wire w/Terminal GRN L=120	9702066062	9702066062	
VA101,102	Varistor TNR12G471K	0000038010	0000038010		W101	Wire w/Terminal BLK L=80	9702066017	9702066017	
TM101,102	Plug Contact 86028	0500536016	0500536016		W102	Wire w/Terminal WHT L=100	9702066024	9702066024	
LF101	EMI Filter ELF17N015A	0400197119	0400197119		W103,104	Wire #18 3P	9702310042	9702310042	

Model : AU Y18TLAMA

[INDOOR P.C.B.]
CONTROLLER PCB ASSEMBLY

Ref. No.	Description	Part No.	Q'ty	Ref. No.	Description	Part No.	Q'ty
		AUY18TLAMA				AUY18TLAMA	
IC1	IC μ PD78014HCW-025	9700856023		JM9	Res. 1/4W 0 Ω	0200230016	
IC2	IC NJM7812FA	0100462104		C5	Cap. Elec 450V 100 μ F	0300256060	
IC3	IC NJM7805FA	0100462081		C6	Cap. Plastic 4700pF	0300269091	
IC4-6	Xstr μ PA2003GR	0100028041		C7	Cap. Plastic 50V 0.047 μ F	0300169339	
IC7	IC NM93C46M8-X	0101622026		C8	Cap. Elec 25V 100 μ F	0301197560	
IC8	IC PST600CMTR	0101461120		C9	Cap. Elec 25V 1000 μ F	0301196495	
IC10	IC HI2002	9701384020		C10,11,33,36	Cap. Elec 25V 10 μ F	0301192312	
IC11	IC BA10358FE2	0101846071		C12	Cap. Elec 25V 1000 μ F	0301158264	
Q1	Xstr 2SC4236	0000164047		C13,15,34,37,39,44,45	Cap. Ceramic 50V 0.1 μ F	0300311752	
Q2	Xstr 2SC1740S	0000699235		C14	Cap. Elec 25V 100 μ F	0301192350	
Q3,4	Xstr DTC124EKA	0000936033		C16,17,19-31,38,40,	Cap. Ceramic 50V 0.01 μ F	0300311738	
Q5,6	Xstr 2SC2712	0000781053		46,49,CJ1			
D1	Diode D3SB60	0000689045		C32,35,50-53	Cap. Ceramic 50V 1000pF	0300308509	
D2,4,7	Diode D1FL20U	0000746519		C54	Cap. Ceramic 0.01 μ F	0300209127	
D3	Diode MTZJ5.1B	0000852166		K1,3,4	Relay JQ1-12V	9701316014	
D5	Diode 1SR139-600	0000353120		SSR1	Relay G3M-202P-UTU	9701829019	
D6	Dioad D2FL20U	0000906500		SW1	Switch, Slide DSS803	9701392018	
D10	Dioad DA226U	0000625036		SW2	Switch, Rotary DRS4016-5	9701694013	
D12	Dioad DAN202K	0000684019		T1	Switching Transformer	9702727017	
R1	Res. Wire Wound 5W 3.3 Ω ±5%	0200244372			ETS28AS118AH		
R2	Res. Metal 2W 1.5 Ω ±5%	0201107119		VA3	Varistor TNR12G471K	0000038010	
R3	Res. 1/10W 100 Ω ±5%	0200212500		X1	Ceramic Resonator	9701261017	
R4	Res. Carbon 1W 220k Ω ±5%	0200111353			EF0EC8384T4		
R5	Res. Metal 2W 47k Ω ±5%	0201107652		L2-4	EMI Filter EXCEMT103DT	0400406396	
R6	Res. 1/2W 100 Ω ±5%	0200731506		CR1	Network RPEL-121204-C	9701125012	
R7	Res. 1/4W 330 Ω ±5%	0200708621		CN1	Plug, PCB B3P5-VH-B-C	0500011810	
R8,10,14-17,21-24,	Res. 1/10W 10k Ω ±5%	0200213019		CN4	Plug, PCB B2P3-VH-B-Y	0500011827	
29-32,37,39,48,50,				CN5	Plug, PCB 5430C063	0500957026	
52,55,59-61,66,68,				CN6	Plug, PCB B2P3-VH-B-E	0500011759	
R9,47,65	Res. 1/10W 390 Ω ±5%	0200212647		CN7	Plug, PCB B2B-XAKK-1-A	0501045227	
R18-20,25-28,	Res. 1/10W 1k Ω ±5%	0200212746		CN8	Plug, PCB B2B-XASK-1-A	0501045012	
33-36,38,42,44,46,				CN9	Plug, PCB B2P-SHF-1AA	0500006069	
49,51,58,67				CN10	Plug, PCB B5B-XASK-1-A	0501045043	
R40,41,62	Res. 1/10W 4.7k Ω ±5%	0200212906		CN13	Plug, PCB B8B-XASK-1-A	0501045074	
R43	Res. 1/10W 10k Ω ±1%	0200279497		CN14	Plug, PCB B4B-XH-AM	0500005314	
R45	Res. 1/10W 49.9k Ω ±1%	0200279824		CN15	Plug, PCB B3B-XARK-1-A	0501045319	
R63	Res. 15.4k Ω ±1%	0200279565		CN17	Plug, PCB B3B-XAKK-1-A	0501045357	
R64	Res. 28k Ω ±1%	0201144445		JM2-6	Wire. dia0.6 L=10mm	9700025016	
CJ2	Res. 0 Ω	0200212012					

INDICATOR PCB ASSEMBLY (Ref. No. 385)

Ref. No.	Description	Part No.	Q'ty	Ref. No.	Description	Part No.	Q'ty
		AUY18TLAMA				AUY18TLAMA	
D201	Diode SLR-325VC RED	0000813259		PHA201	Remote Control Amplifier	0101525129	
D202	Diode SLR-325MC GRN	0000813242			SBX1810-22		
D203	Diode SLR-325DC ORG	0000813235		SW201	Switch, EVQ-PAG-04K	9700450016	
C201	Cap. Ceramic 0.1 μ F	0300988251		CN201	Wire w/Connector L=150	9702266011	
C202	Cap. Elec 25V 10 μ F	0300478288		JM201	Wire. dia0.6 L=7.5mm	9701076017	
R201 - 203	Res. Carbon 1/4W 330 Ω ±5%	0201038659					

FILTER PCB ASSEMBLY (Ref. No. 875)

Ref. No.	Description	Part No.	Q'ty	Ref. No.	Description	Part No.	Q'ty
		AUY18TLAMA				AUY18TLAMA	
C101,102	Cap. Plastic 0.22 μ F	0300304099		LF101	EMI Filter ELF17N015A	0400197119	
C105,106	Cap. Plastic 0.022 μ F	0301052098		F101	Fuse BET3.15A-250V	0600222512	
SA101	Arrester DSA-362MA-05	0600168032		FH1,2	Fuse Holder PFC5000-0502	0500158072	
VA101,102	Varistor TNR12G471K	0000038010		E101	Wire w/Terminal GRN L=100	9702313012	
TM101,102	Plug Contact 86028	0500536016		W103,104	Wire #18 3P	9702310011	

Models : AU Y25TLAMA
 AU Y30TLAMA

[INDOOR P.C.B.]
 CONTROLLER PCB ASSEMBLY

Ref. No.	Description	Part No.		Q'ty	Ref. No.	Description	Part No.		Q'ty
		AUY25TLAMA	AUY30TLAMA				AUY25TLAMA	AUY30TLAMA	
IC1	IC μ PD78014HCW-024	9700856016	9700856016		JM2-5,8	Wire. dia0.6 L=10 mm	9700025016	9700025016	
IC2	IC NJM7812FA	0100462104	0100462104		JM9	Res. 0 Ω	0200230016	0200230016	
IC3	IC NJM7805FA	0100462081	0100462081		VA1,3	TNR12G471K	0000038010	0000038010	
IC4-6	Xstr μ PA2003GR	0100028041	0100028041		C5	Cap. Elec 450V 100 μ F	0300256060	0300256060	
IC7	IC BR93LC46RF-E2	0100295016	0100295016		C6	Cap. Plastic 4700pF	0300269091	0300269091	
IC8	IC PST600CMTR	0101461120	0101461120		C7	Cap. Plastic 50V 0.047 μ F	0300169339	0300169339	
IC10	IC HI2002	9701384020	9701384020		C8	Cap. Elec 25V 100 μ F	0301197560	0301197560	
IC11	IC BA10358FE2	0101846071	0101846071		C9	Cap. Elec 25V 1000 μ F	0301196495	0301196495	
Q1	Xstr 2SC4236	0000164047	0000164047		C10,11,33,36	Cap. Elec 25V 10 μ F	0301192312	0301192312	
Q2	Xstr 2SC1815	0000002011	0000002011		C12	Cap. Elec 25V 1000 μ F	0301158264	0301158264	
Q3,4	Xstr DTC124EKA	0000936033	0000936033		C13,15,34,37,39,44,45	Cap. Ceramic 50V 0.1 μ F	0300311752	0300311752	
Q5,6	Xstr 2SC2712	0000781053	0000781053		C14	Cap. Elec 25V 100 μ F	0301192350	0301192350	
D1	Diode D3SB60	0000689045	0000689045		C16,17,19-31,38,40,46,49,CJ1,CJ2	Cap. Ceramic 50V 0.01 μ F	0300311738	0300311738	
D2,4,7	Diode D1FL20U	0000746519	0000746519		C32,35,50-53	Cap. Ceramic 50V 1000pF	0300308509	0300308509	
D3	Diode MTZJ5.1B	0000852166	0000852166		C54	Cap. Ceramic 0.01 μ F	0300209127	0300209127	
D5	Diode 1SR139-600	0000353120	0000353120		K4	Relay JQ1-12V	9701316014	9701316014	
D6	Diodad D2FL20U	0000906500	0000906500		SSR1	Relay G3M-202PL-UTU	9701653010	9701653010	
D10	Diodad DA226U	0000625036	0000625036		SW1,4	Switch, Slide DSS803	9701392018	9701392018	
D12	Diodad DAN202K	0000684019	0000684019		SW2	Switch, Rotary DRS4016-5	9701694013	9701694013	
R1	Res. Wire Wound 5W 3.3 Ω \pm 10%	0200153148	0200153148		T1	Switching Transformer ETS28AS118AH	9702727017	9702727017	
R2	Res. Metal 2W 1.5 Ω \pm 5%	0201107119	0201107119		X1	Ceramic Resonator EF0EC8384T4	9701261017	9701261017	
R3	Res. 1/10W 100 Ω \pm 5%	0200212500	0200212500		L2-4	EMI Filter EXCEMT103DT	0400406396	0400406396	
R4	Res. Carbon 1W 220k Ω \pm 5%	0200111353	0200111353		CR1	Network RPEL-121204-C	9701125012	9701125012	
R5	Res. Metal 2W 47k Ω \pm 5%	0201107652	0201107652		CN1	Plug, PCB 5-1123724-3	0501321635	0501321635	
R6	Res. 1/2W 100 Ω \pm 5%	0200731506	0200731506		CN3	Plug, PCB 53406-9910	0500951048	0500951048	
R7	Res. 1/4W 330 Ω \pm 5%	0200708621	0200708621		CN4	Plug, PCB 2-1123724-2	0501321529	0501321529	
R8,10,14-17,21-24,29-32,37,39,48,50,52,55,59-61,66,68,70	Res. 1/10W 10k Ω \pm 5%	0200213019	0200213019		CN5	Plug, PCB 1-1123724-3	0501321451	0501321451	
R9,47,65	Res. 1/10W 390 Ω \pm 5%	0200212647	0200212647		CN6	Plug, PCB 3-1123724-2	0501321536	0501321536	
R18-20,25-28,33-36,38,42,44,46,49,51,58,67,69	Res. 1/10W 1k Ω \pm 5%	0200212746	0200212746		CN7	Plug, PCB B2B-XAKK-1-A	0501045227	0501045227	
R40,41,62,71,72	Res. 1/10W 4.7k Ω \pm 5%	0200212906	0200212906		CN8	Plug, PCB B2B-XASK-1-A	0501045012	0501045012	
R43	Res. 1/10W 10k Ω \pm 1%	0200279497	0200279497		CN9	Plug, PCB B2P-SHF-1AA	0500006069	0500006069	
R45	Res. 1/10W 49.9k Ω \pm 1%	0200279824	0200279824		CN10	Plug, PCB B5B-XASK-1-A	0501045043	0501045043	
R63	Res. 15.4k Ω \pm 1%	0200279565	0200279565		CN14	Plug, PCB B4B-XH-AM	0500005314	0500005314	
R64	Res. 28k Ω \pm 1%	0201114445	0201114445		CN15	Plug, PCB B3B-XARK-1-A	0501045319	0501045319	
					CN17	Plug, PCB B3B-XAKK-1-A	0501045357	0501045357	

FILTER PCB ASSEMBLY (Ref. No. 875)

Ref. No.	Description	Part No.		Q'ty	Ref. No.	Description	Part No.		Q'ty
		AUY25TLAMA	AUY30TLAMA				AUY25TLAMA	AUY30TLAMA	
C101,102	Cap. Plastic 0.22 μ F	0300304099	0300304099		LF101	EMI Filter ELF17N015A	0400197119	0400197119	
C105,106	Cap. Plastic 0.022 μ F	0301052098	0301052098		F101	Fuse 2183.15	0600285210	0600285210	
SA101	Arrester DSA-362MA-05	0600168032	0600168032		FH1,2	Fuse Holder PFC5000-0502	0500158072	0500158072	
VA101,102	Varistor TNR12G471K	0000038010	0000038010		E101	Wire w/Terminal GRN L=100	9702313012	9702313012	
TM101,102	Plug Contact 86028	05000536016	05000536016		W103,104	Wire #18 3P	9703261015	9703261015	

Models : AUY36TLAMA
 AUY45TLAMA

[INDOOR P.C.B.]
 CONTROLLER PCB ASSEMBLY

Ref. No.	Description	Part No.		Q'ty	Ref. No.	Description	Part No.		Q'ty
		AUY36TLAMA	AUY45TLAMA				AUY36TLAMA	AUY45TLAMA	
IC1	IC μ PD78014HCW-024	9700856016	9700856016		JM2-5,8	Wire. dia0.6 L=10 mm	9700025016	9700025016	
IC2	IC NJM7812FA	0100462104	0100462104		JM9	Res. 0 Ω	0200230016	0200230016	
IC3	IC NJM7805FA	0100462081	0100462081		VA1,3	TNR12G471K	0000038010	0000038010	
IC4-6	Xstr μ PA2003GR	0100028041	0100028041		C5	Cap. Elec 450V 100 μ F	0300256060	0300256060	
IC7	IC BR93LC46RF-E2	0100295016	0100295016		C6	Cap. Plastic 4700pF	0300269091	0300269091	
IC8	IC PST600CMTR	0101461120	0101461120		C7	Cap. Plastic 50V 0.047 μ F	0300169339	0300169339	
IC10	IC HI2002	9701384020	9701384020		C8	Cap. Elec 25V 100 μ F	0301197560	0301197560	
IC11	IC BA10358FE2	0101846071	0101846071		C9	Cap. Elec 25V 1000 μ F	0301196495	0301196495	
Q1	Xstr 2SC4236	0000164047	0000164047		C10,11,33,36	Cap. Elec 25V 10 μ F	0301192312	0301192312	
Q2	Xstr 2SC1815	0000002011	0000002011		C12	Cap. Elec 25V 1000 μ F	0301158264	0301158264	
Q3,4	Xstr DTC124EKA	0000936033	0000936033		C13,15,34,37,39,44,45	Cap. Ceramic 50V 0.1 μ F	0300311752	0300311752	
Q5,6	Xstr 2SC2712	0000781053	0000781053		C14	Cap. Elec 25V 100 μ F	0301192350	0301192350	
D1	Diode D3SB60	0000689045	0000689045		C16,17,19-31,38,40,	Cap. Ceramic 50V 0.01 μ F	0300311738	0300311738	
D2,4,7	Diode D1FL20U	0000746519	0000746519		46,49,CJ1,CJ2				
D3	Diode MTJ5.1B	0000852166	0000852166		C32,35,50-53	Cap. Ceramic 50V 1000pF	0300308509	0300308509	
D5	Diode 1SR139-600	0000353120	0000353120		C54	Cap. Ceramic 0.01 μ F	0300209127	0300209127	
D6	Dioad D2FL20U	0000906500	0000906500		K4	Relay JQ1-12V	9701316014	9701316014	
D10	Dioad DA226U	0000625036	0000625036		SSR1	Relay G3M-202PL-UTU	9701653010	9701653010	
D12	Dioad DAN202K	0000684019	0000684019		SW1,4	Switch, Slide DSS803	9701392018	9701392018	
R1	Res. Wire Wound 5W 3.3 Ω ±10%	0200153148	0200153148		SW2	Switch, Rotary DRS4016-5	9701694013	9701694013	
R2	Res. Metal 2W 1.5 Ω ±5%	0201107119	0201107119		T1	Switching Transformer ETS28AS118AH	9702727017	9702727017	
R3	Res. 1/10W 100 Ω ±5%	0200212500	0200212500		X1	Ceramic Resonator EF0EC8384T4	9701261017	9701261017	
R4	Res. Carbon 1W 220k Ω ±5%	0200111353	0200111353		L2-4	EMI Filter EXCEMT103DT	0400406396	0400406396	
R5	Res. Metal 2W 47k Ω ±5%	0201107652	0201107652		CR1	Network RPEL-121204-C	9701125012	9701125012	
R6	Res. 1/2W 100 Ω ±5%	0200731506	0200731506		CN1	Plug, PCB 5-1123724-3	0501321635	0501321635	
R7	Res. 1/4W 330 Ω ±5%	0200708621	0200708621		CN3	Plug, PCB 53406-9910	0500951048	0500951048	
R8,10,14-17,21-24, 29-32,37,39,48,50, 52,55,59-61,66,68, 70	Res. 1/10W 10k Ω ±5%	0200213019	0200213019		CN4	Plug, PCB 2-1123724-2	0501321529	0501321529	
R9,47,65	Res. 1/10W 390 Ω ±5%	0200212647	0200212647		CN5	Plug, PCB 1-1123724-3	0501321451	0501321451	
R18-20,25-28, 33-36,38,42,44,46, 49,51,58,67,69	Res. 1/10W 1k Ω ±5%	0200212746	0200212746		CN6	Plug, PCB 3-1123724-2	0501321536	0501321536	
R40,41,62,71,72	Res. 1/10W 4.7k Ω ±5%	0200212906	0200212906		CN7	Plug, PCB B2B-XAKK-1-A	0501045227	0501045227	
R43	Res. 1/10W 10k Ω ±1%	0200279497	0200279497		CN8	Plug, PCB B2B-XASK-1-A	0501045012	0501045012	
R45	Res. 1/10W 49.9k Ω ±1%	0200279824	0200279824		CN9	Plug, PCB B2P-SHF-1AA	0500006069	0500006069	
R63	Res. 15.4k Ω ±1%	0200279565	0200279565		CN10	Plug, PCB B5B-XASK-1-A	0501045043	0501045043	
R64	Res. 28k Ω ±1%	0201114445	0201114445		CN14	Plug, PCB B4B-XH-AM	0500005314	0500005314	
					CN15	Plug, PCB B3B-XARK-1-A	0501045319	0501045319	
					CN17	Plug, PCB B3B-XAKK-1-A	0501045357	0501045357	

FILTER PCB ASSEMBLY (Ref. No. 875)

Ref. No.	Description	Part No.		Q'ty	Ref. No.	Description	Part No.		Q'ty
		AUY36TLAMA	AUY45TLAMA				AUY36TLAMA	AUY45TLAMA	
C101,102	Cap. Plastic 0.22 μ F	0300304099	0300304099		LF101	EMI Filter ELF17N015A	0400197119	0400197119	
C105,106	Cap. Plastic 0.022 μ F	0301052098	0301052098		F101	Fuse 2183.15	0600285210	0600285210	
SA101	Arrester DSA-362MA-05	0600168032	0600168032		FH1,2	Fuse Holder PFC5000-0502	0500158072	0500158072	
VA101,102	Varistor TNR12G471K	0000038010	0000038010		E101	Wire w/Terminal GRN L=100	9702313012	9702313012	
TM101,102	Plug Contact 86028	0500536016	0500536016		W103,104	Wire #18 3P	9703261015	9703261015	

Model : ARY25TLAMA

[INDOOR P.C.B.]
CONTROLLER PCB ASSEMBLY

Ref. No.	Description	Part No.	Q'ty	Ref. No.	Description	Part No.	Q'ty
		ARY25TLAMA				ARY25TLAMA	
IC1	IC μ PD78014HCW-025	9700856023		R64	Res. 28k Ω ±1%	0201114445	
IC2	IC NJM7812FA	0100462104		CJ2	Res. 0 Ω	0200212012	
IC3	IC NJM7805FA	0100462081		JM2-4,6	Wire dia 0.6 L=10 mm	9700025016	
IC5,6	IC μ PA2003GR	0100028041		JM9	Res. 1/4W 0 Ω	0200230016	
IC7	IC BR93LC46RF-E2	0100295016		C5	Cap. Elec. 450V 100 μ F	0300256060	
IC8	IC PST600CMT	0101461120		C6	Cap. Plastic 4700pF	0300269091	
IC10	IC HI2002	9701384020		C7	Cap. Plastic 50V 0.047 μ F	0300169339	
IC11	IC BA10358FE2	0101846071		C8	Cap. Elec. 25V 100 μ F	0301197560	
Q1	Xstr 2SC4236	0000164047		C9	Cap. Elec. 25V 1000 μ F	0301196495	
Q2	Xstr 2SC1815	0000002011		C10,11,33,36	Cap. Elec. 25V 10 μ F	0301192312	
Q3,4	Xstr DTC124EKA	0000936033		C12	Cap. Elec. 25V 1000 μ F	0301158264	
Q5,6	Xstr 2SC2712	0000781053		C13,15,34,37,39,44,45	Cap. Ceramic 50V 0.1 μ F	0300311752	
D1	Diode D3SB60	0000689045		C14	Cap. Elec. 25V 100 μ F	0301192350	
D2,4,7	Diode D1FL20U	0000746519		C16,17,19-31,38,40, 46,49,CJ1	Cap. Ceramic 50V 0.01 μ F	0300311738	
D3	Diode MTZJ5.1B	0000852166		C32,35,50-53	Cap. Ceramic 50V 1000pF	0300308509	
D5	Diode 1SR139-600	0000353120		C54	Cap. Ceramic 0.01 μ F	0300209127	
D6	Diode D2FL20U	0000906500		K1,2,3,4	Relay JQ1-12V	9701316014	
D10	Diode DA226U	0000625036		SSR1	Relay G3M-202P-UTU	9701829019	
D12	Diode DAN202K	0000684019		SW1	Switch, Slide DSS803	9701392018	
R1	Res. Wire Wound 3.3 Ω ±10%	0200153148		SW2	Switch, Rotary DRS4016-5	9701694013	
R2	Res. Metal 2W 1.5 Ω ±5%	0201107119		T1	Switching Transformer ETS28AS118AH	9702727017	
R3	Res. 1/4W 1k Ω ±5%	0200212500		X1	Ceramic Resonator EF0EC8384T4	9701261017	
R4	Res. Carbon 220k Ω ±5%	0200111353		L2-4	EMI Filter EXCEMT103DT	0400406396	
R5	Res. Metal 47k Ω ±5%	0201107652		VA3	Varistor TNR12G471K	0000038010	
R6	Res. 100 Ω ±5%	0200731506		CR1	Network RPEL-121204-C	9701125012	
R7	Res. 330 Ω ±5%	0200708621		CN1	Plug, PCB 5-1123724-2	0501321635	
R8,10,14-17, 21-24,29-32,37, 39,48,50,52,55, 59-61,66,68	Res. 10k Ω ±5%	0200213019		CN4	Plug, PCB 2-1123724-2	0501321529	
R9,47,65	Res. 390 Ω ±5%	0200212647		CN5	Plug, PCB 5430C063	0500957026	
R18-20,25-28, 33-36,38,42,44,46, 49,51,58,67	Res. 1k Ω ±5%	0200212746		CN6	Plug, PCB 3-1123724-2	0501321536	
R40,41,62	Res. 4.7k Ω ±5%	0200212906		CN7	Plug, PCB B2B-XAKK-1-A	0501045227	
R43	Res. 10k Ω ±1%	0200279497		CN8	Plug, PCB B2B-XASK-1-A	0501045012	
R45	Res. 49.9k Ω ±1%	0200279824		CN9	Plug, PCB B5P-SHF-1AA	0500006069	
R63	Res. 15.4k Ω ±1%	0200279565		CN14	Plug, PCB B4B-XH-AM	0500005314	
				CN15	Plug, PCB B3B-XARK-1-A	0501045319	
				CN17	Plug, PCB B3B-XAKK-1-A	0501045357	

FILTER PCB ASSEMBLY (Ref. No. 875)

Ref. No.	Description	Part No.	Q'ty	Ref. No.	Description	Part No.	Q'ty
		ARY25TLAMA				ARY25TLAMA	
C101,102	Cap. Plastic 0.22 μ F	0300304099		LF101	EMI Filter ELF17N015A	0400197119	
C105,106	Cap. Plastic 0.022 μ F	0301052098		F101	Fuse 2183.15	0600285210	
SA101	Arrester DSA-362MA-05	0600168032		FH1,2	Fuse Holder PFC5000-0502	0500158072	
VA101,102	Varistor TNR12G471K	0000038010		E101	Wire w/Terminal GRN L=150	9702313029	
TM101,102	Plug Contact 86028	0500536016		W103,104	Wire #18 3P	9702310028	

Models : ARY30TLAMA, ARY36TLAMA
ARY45TLAMA

[INDOOR P.C.B.]
CONTROLLER PCB ASSEMBLY

Ref. No.	Description	Part No.			Q'ty	Ref. No.	Description	Part No.			Q'ty
		ARY30TLAMA	ARY36TLAMA	ARY45TLAMA				ARY30TLAMA	ARY36TLAMA	ARY45TLAMA	
IC1	IC μ PD78014HCW-025	9700856023	9700856023	9700856023		R63	Res. 15.4k Ω \pm 1%	0200279565	0200279565	0200279565	
IC2	IC NJM7812FA	0100462104	0100462104	0100462104		R64	Res. 28k Ω \pm 1%	0201114445	0201114445	0201114445	
IC3	IC NJM7805FA	0100462081	0100462081	0100462081		CJ2	Res. 0 Ω	0200212012	0200212012	0200212012	
IC5,6	IC μ PA2003GR	0100028041	0100028041	0100028041		JM9	Res. 1/4W 0 Ω	0200230016	0200230016	0200230016	
IC7	IC BR93LC46RF-E2	0100295016	0100295016	0100295016		C5	Cap. Elec. 450V 100 μ F	0300256060	0300256060	0300256060	
IC8	IC PST600CMT	0101461120	0101461120	0101461120		C6	Cap. Plastic 4700pF	0300269091	0300269091	0300269091	
IC10	IC HI2002	9701384020	9701384020	9701384020		C7	Cap. Plastic 50V 0.047 μ F	0300169339	0300169339	0300169339	
IC11	IC BA10358FE2	0101846071	0101846071	0101846071		C8	Cap. Elec. 25V 100 μ F	0301197560	0301197560	0301197560	
Q1	Xstr 2SC4236	0000164047	0000164047	0000164047		C9	Cap. Elec. 25V 1000 μ F	0301196495	0301196495	0301196495	
Q2	Xstr 2SC1815	0000002011	0000002011	0000002011		C10,11,33,36	Cap. Elec. 25V 10 μ F	0301192312	0301192312	0301192312	
Q3,4	Xstr DTC124EKA	0000936033	0000936033	0000936033		C12	Cap. Elec. 25V 1000 μ F	0301158264	0301158264	0301158264	
Q5,6	Xstr 2SC2712	0000781053	0000781053	0000781053		C13,15,34,37,39,44,45	Cap. Ceramic 50V 0.1 μ F	0300311752	0300311752	0300311752	
D1	Diode D3SB60	0000689045	0000689045	0000689045		C14	Cap. Elec. 25V 100 μ F	0301192350	0301192350	0301192350	
D2,4,7	Diode D1FL20U	0000746519	0000746519	0000746519		C16,17,19-31,38,40,46,49,CJ1	Cap. Ceramic 50V 0.01 μ F	0300311738	0300311738	0300311738	
D3	Diode MTZJ5.1B	0000852166	0000852166	0000852166		C32,35,50-53	Cap. Ceramic 50V 1000pF	0300308509	0300308509	0300308509	
D5	Diode 1SR139-600	0000353120	0000353120	0000353120		C54	Cap. Ceramic 0.01 μ F	0300209127	0300209127	0300209127	
D6	Diode D2FL20U	0000906500	0000906500	0000906500		K1,2,3,4	Relay JQ1-12V	9701316014	9701316014	9701316014	
D10	Diode DA226U	0000625036	0000625036	0000625036		SW1	Switch, Slide DSS803	9701392018	9701392018	9701392018	
D12	Diode DAN202K	0000684019	0000684019	0000684019		SW2	Switch, Rotary DRS4016-5	9701694013	9701694013	9701694013	
R1	Res. Wire Wound 3.3 Ω \pm 10%	0200153148	0200153148	0200153148		T1	Switching Transformer ETS28AS118AH	9702727017	9702727017	9702727017	
R2	Res. Metal 2W 1.5 Ω \pm 5%	0201107119	0201107119	0201107119		X1	Ceramic Resonator EFOECB384T4	9701261017	9701261017	9701261017	
R3	Res. 1/4W 1k Ω \pm 5%	0200212500	0200212500	0200212500		L2-4	EMI Filter EXCEMT103DT	0400406396	0400406396	0400406396	
R4	Res. Carbon 220k Ω \pm 5%	0200111353	0200111353	0200111353		VA3	Varistor TNR12G471K	0000038010	0000038010	0000038010	
R5	Res. Metal 47k Ω \pm 5%	0201107652	0201107652	0201107652		CR1	Network RPEL-121204-C	9701125012	9701125012	9701125012	
R6	Res. 100 Ω \pm 5%	0200731506	0200731506	0200731506		CN1	Plug, PCB 5-1123724-3	0501321635	0501321635	0501321635	
R7	Res. 330 Ω \pm 5%	0200708621	0200708621	0200708621		CN4	Plug, PCB 2-1123724-2	0501321529	0501321529	0501321529	
R8,10,14-17,21-24,29-32,37,39,48,50,52,55,59-61,66,68	Res. 10k Ω \pm 5%	0200213019	0200213019	0200213019		CN5	Plug, PCB 5430C063	0500957026	0500957026	0500957026	
R9,47,65	Res. 390 Ω \pm 5%	0200212647	0200212647	0200212647		CN6	Plug, PCB 3-1123724-2	0501321536	0501321536	0501321536	
R18-20,25-28,33-36,38,42,44,46,49,51,58,67	Res. 1k Ω \pm 5%	0200212746	0200212746	0200212746		CN7	Plug, PCB B2B-XAKK-1-A	0501045227	0501045227	0501045227	
R40,41,62	Res. 4.7k Ω \pm 5%	0200212906	0200212906	0200212906		CN8	Plug, PCB B2B-XASK-1-A	0501045012	0501045012	0501045012	
R43	Res. 10k Ω \pm 1%	0200279497	0200279497	0200279497		CN9	Plug, PCB B5P-SHF-1AA	0500006069	0500006069	0500006069	
R45	Res. 49.9k Ω \pm 1%	0200279824	0200279824	0200279824		CN14	Plug, PCB B4B-XH-AM	0500005314	0500005314	0500005314	
						CN15	Plug, PCB B3B-XARK-1-A	0501045319	0501045319	0501045319	
						CN17	Plug, PCB B3B-XAKK-1-A	0501045357	0501045357	0501045357	
						W1-4	Wire Assy	9701459025	9701459025	9701459025	

RELAY PCB ASSEMBLY

Ref. No.	Description	Part No.			Q'ty	Ref. No.	Description	Part No.			Q'ty
		ARY30TLAMA	ARY36TLAMA	ARY45TLAMA				ARY30TLAMA	ARY36TLAMA	ARY45TLAMA	
SSR201	Relay S202SE2	9701719013	9701719013	9701719013		R201	Res. Carbon 1/2W 680 Ω \pm 5%	0200012681	0200012681	0200012681	
HT201	Heat Sink OSH-4730C-SP	9701754014	9701754014	9701754014		CN201	Plug, PCB B4P7-VH-B	0500011742	0500011742	0500011742	
CR201	CR Absorber RPEL-121204	9701125012	9701125012	9701125012							


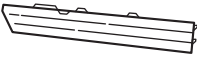

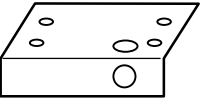
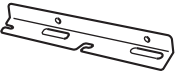
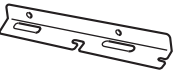







FILTER PCB ASSEMBLY (Ref. No. 875)

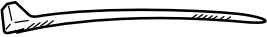



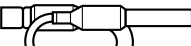

Ref. No.	Description	Part No.			Q'ty	Ref. No.	Description	Part No.			Q'ty
		ABY30TLAMA	ABY36TLAMA	ABY45TLAMA				ABY30TLAMA	ABY36TLAMA	ABY45TLAMA	
C101,102	Cap. Plastic 0.22 μ F	0300304099	0300304099	0300304099		LF101	EMI Filter ELF20N030A	0400247128	0400247128	0400247128	
C105,106	Cap. Plastic 0.022 μ F	0301052098	0301052098	0301052098		F101	Fuse BET4A-250V	0600222543	0600222543	0600222543	
SA101	Arrester DSA-362MA-05	0600168032	0600168032	0600168032		FH1,2	Fuse Holder PFC5000-0502	0500158072	0500158072	0500158072	
VA101,102	Varistor TNR12G471K	0000038010	0000038010	0000038010		E101	Wire w/Terminal GRN L=150	9702313029	9702313029	9702313029	
TM101,102	Plug Contact 86028	0500536016	0500536016	0500536016		W103,104	Wire #18 3P	9702310028	9702310028	9702310028	

10. STANDARD ACCESSORIES


APPLICATION MODELS : ABY18TLAMA
ABY24TLAMA

INDOOR UNIT ACCESSORIES (Universal Type)





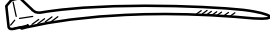


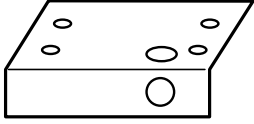

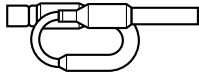
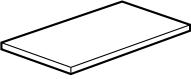
Description	Q'ty	Application
Cover plate (left) 	1	
Cover plate (right) 	1	
Tapping screw (φ4 x 10) 	2	
Installation template 	1	For positioning the indoor unit For under ceiling type
Bracket (left) 	1	For suspending the indoor unit from ceiling
Bracket (right) 	1	
Anchor bolt (M12) 	4	
Spring washer 	4	
Special nut 	4	
Wall bracket 	2	For suspending the indoor unit on the wall
Tapping screw (φ4 x 20) 	6	For fixing the wall bracket
Coupler heat insulation (large) 	1	For indoor side pipe joint (large pipe)
Coupler heat insulation (small) 	1	For indoor side pipe joint (small pipe)

Name and Shape	Q'ty	Application
Nylon fastener 	1	For fixing the drain hose
Drain hose 	1	
Insulation (drain hose) 	1	Adhesive type 70 x 230
VT wire 	1	For fixing the drain hose L 280 mm
Indoor capillary tube 	1	
BR sheet 	2	65 x 130 x T5




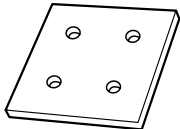
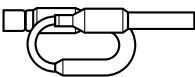
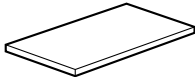
OPTIONAL PARTS FOR INDOOR UNIT

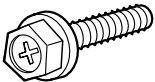



Description	Part No.	Application
Joint pipe-A 	9302812021	For indoor side pipe joint

INDOOR UNIT ACCESSORIES (Large Ceiling Type)

Description	Q ty	Application
Drain hose insulation 	1	Adhesive type 70 x 230
VT wire 	1	For fixing the drain hose L 280 mm
Coupler heat insulation (large) 	2	For indoor side pipe joint (large pipe)
Coupler heat insulation (small) 	1	For indoor side pipe joint (small pipe)
Nylon fastener 	Large 4 Small 4	For fixing the coupler heat insulation
Special nut A (large flange) 	4	For installing indoor unit
Special nut B (small flange) 	4	For installing indoor unit
Installation template 	1	For positioning the indoor unit
Auxiliary pipe assembly 	1	For connecting the piping
Indoor capillary tube 	1	(This part is enclosed with the 30,000 and 36,000 BTU/h versions.)
BR sheet 	2	65 x 130 x T5 (This part is enclosed with the 30,000 and 36,000 BTU/h versions.)




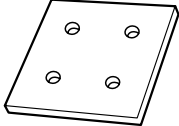

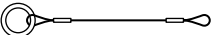
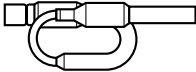
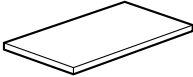
INDOOR UNIT ACCESSORIES (Compact Cassette Type)

Name and Shape	Q'ty	Application
Coupler heat insulation 	2	For indoor side pipe joint
Special nut A (large flange) 	4	For installing indoor unit
Special nut B (small flange) 	4	For installing indoor unit
Template 	1	For ceiling hole cutting
Indoor capillary tube 	1	
BR sheet 	2	65 x 130 x T5

Bolt 	4	For mounting grille
Washer 	4	For mounting grille
Spring washer 	4	For mounting grille
Blower cover insulation 	2	For discharged air

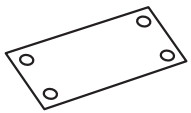
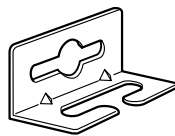


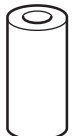



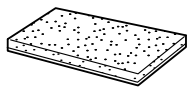
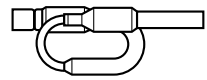
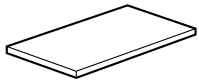
APPLICATION MODELS : AUY25TLAMA
 AUY30TLAMA
 AUY36TLAMA
 AUY45TLAMA

INDOOR UNIT ACCESSORIES (Cassette Type)


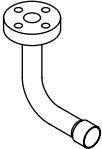


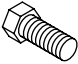
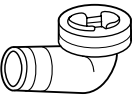
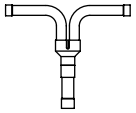
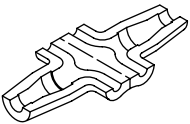
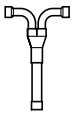
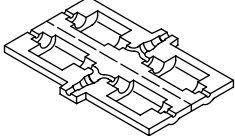
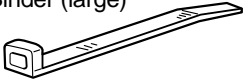

Name and Shape	Q'ty	Application
Coupler heat insulation 	2	For indoor side pipe joint
Special nut A (large flange) 	4	For installing indoor unit
Special nut B (small flange) 	4	For installing indoor unit
Template 	1	For ceiling hole cutting
Blower cover insulation 	2	For discharged air
Hook wire 	2	For installing intake grille
Indoor capillary tube 	1	(This part is enclosed with the 25,000 , 30,000 and 36,000 BTU/h versions.)
BR sheet 	2	65 x 130 x T5 (This part is enclosed with the 25,000 , 30,000 and 36,000 BTU/h versions.)

APPLICATION MODELS : ARY25TLAMA
 ARY30TLAMA
 ARY36TLAMA
 ARY45TLAMA




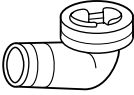
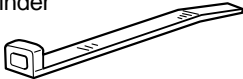
INDOOR UNIT ACCESSORIES (Duct Type)

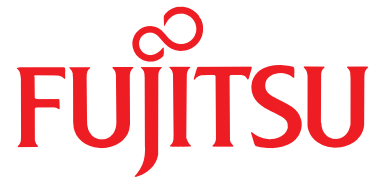
Name and Shape	Q'ty	Application
Installation template 	1	For positioning the indoor unit
Hanger 	4	For suspending the indoor unit from ceiling
Special nut A (large flange) 	4	For suspending the indoor unit from ceiling
Special nut B (small flange) 	4	
Coupler heat insulation (large) 	2	For indoor side pipe joint (large pipe)
Coupler heat insulation (small) 	1	For indoor side pipe joint (small pipe)
Nylon fastener 	1	For fixing the drain hose
Auxiliary pipe assembly 	1	For wiring conduit (gas side) connection
Drain hose insulation 	1	Insulates the drain hose and vinyl hose connection
Indoor capillary tube 	1	(This part is enclosed with the 25,000 , 30,000 and 36,000 BTU/h versions.)
BR sheet 	2	65 x 130 x T5 (This part is enclosed with the 25,000 , 30,000 and 36,000 BTU/h versions.)

OUTDOOR UNIT ACCESSORIES (Simultaneous Type)

Description	Q'ty	Application
Remote controller 	1	Use for air conditioner operation
Flange joint assembly 	1	For connecting the piping
Coupler heat insulation 	1	For outdoor side pipe joint
Gasket 	1	Installation between flange joint assembly and valve B
Bolt 	2	For fixing the flange joint assembly
Drain pipe 	3	For outdoor unit drain piping work (Reverse cycle model only)
Branch gas pipe 	1	For distributing the connecting pipe (Gas side)
Insulation for branch gas pipe 	1	For branch gas pipe
Branch liquid pipe 	1	For distributing the connecting pipe (Liquid side)
Insulation for branch liquid pipe 	1	For branch liquid pipe
Binder (large) 	6	For fixing the insulation for branch pipe
Binder (small) 	1	For fixing the remote controller cord

OUTDOOR UNIT ACCESSORIES (Individual Type)

Description	Q'ty	Application
Remote controller 	2	Use for air conditioner operation
Auxiliary pipe assembly 	2	For connecting the piping
Coupler heat insulation 	2	For outdoor side pipe joint
Drain pipe 	3	For outdoor unit drain piping work (Reverse cycle model only)
Binder 	1	For fixing the remote controller cord



FUJITSU GENERAL LIMITED

1116, Suenaga, Takatsu-ku, Kawasaki 213-8502, Japan