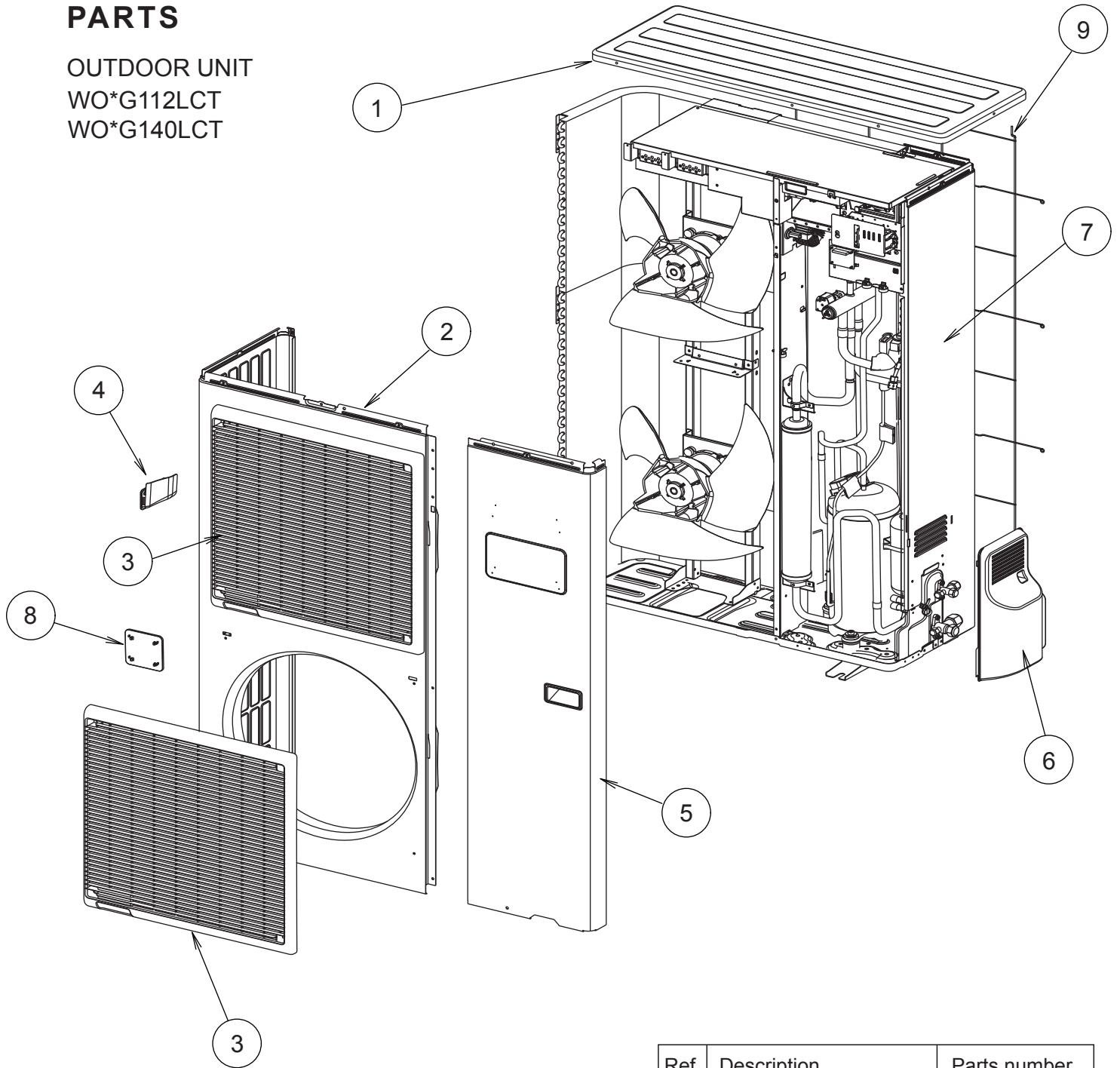


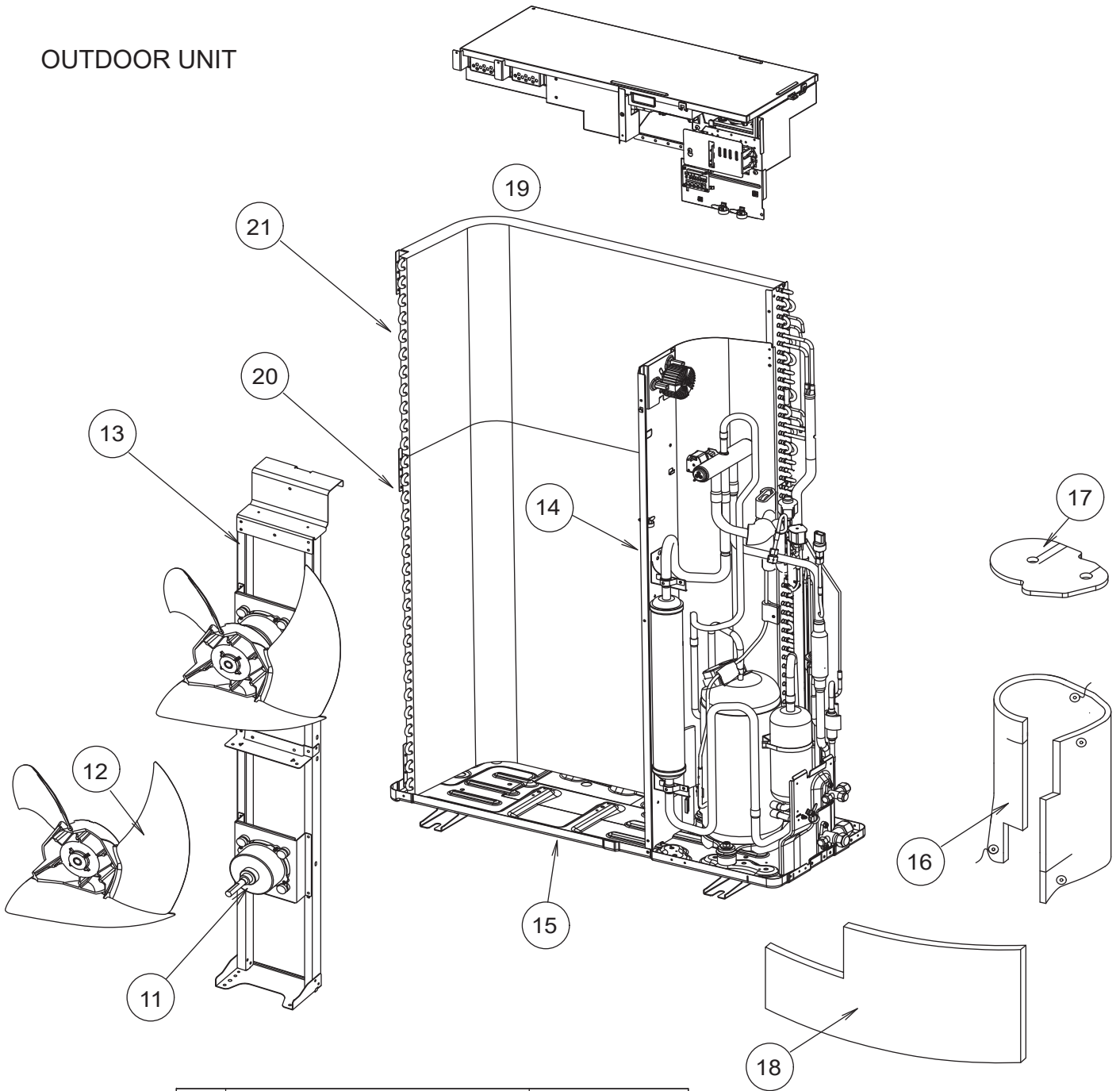
# PARTS

OUTDOOR UNIT  
 WO\*G112LCT  
 WO\*G140LCT



Ref.	Description	Parts number
1	Top Panel Sub Assy	9374417025
2	Front Panel Sub Assy	9374414093
3	Fan Guard	9374330010
4	Grip Side	9374173013
5	Service Panel Sub Assy	9374415083
6	Valve Cover	9374174010
7	Right Panel Sub Assy	9374416196
8	Fan Guard Cover	9378111011
9	Protective Net	9375381042
--	Emblem Rear	9351355005
--	Drain Assy	9303029015
--	Drain Cap	313166024302

# OUTDOOR UNIT



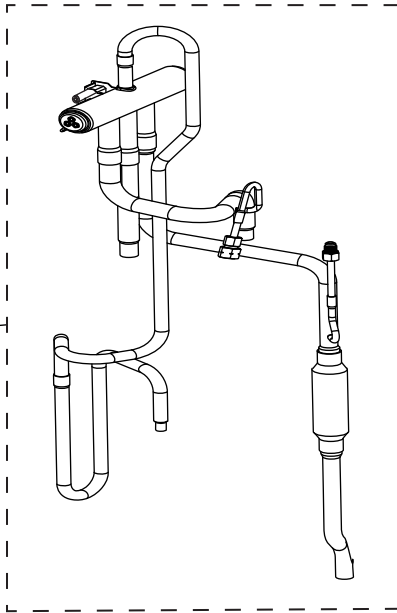
Ref.	Description	Parts number
11	Motor DC Brushless	9602843039
12	Propeller Fan Assy	9366378020
13	Motor Bracket Sub Assy	9374418046
14	Separate Wall Sub Assy	9374413225
15	Base Assy	9374166046
16	Comp Cover A	9319821009
17	Comp Cover B	9319822006
18	Comp Cover C	9319819006
19	Condenser total assy	9383062001*
20	Condenser A Sub Assy	9374420667
21	Condenser B Sub Assy	9374422159

**NOTE:**

\*When ordering condenser, be sure to order Condenser total assy, but not Condenser A sub assy or Condenser B sub assy because the supply unit of the condenser has been changed.

OUTDOOR UNIT

33

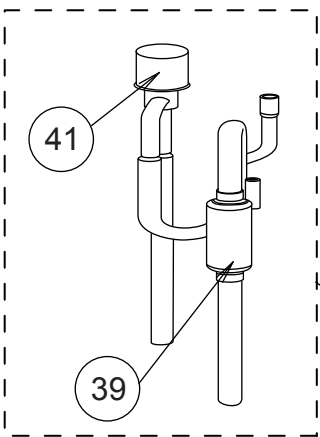


4-way Valve Assy

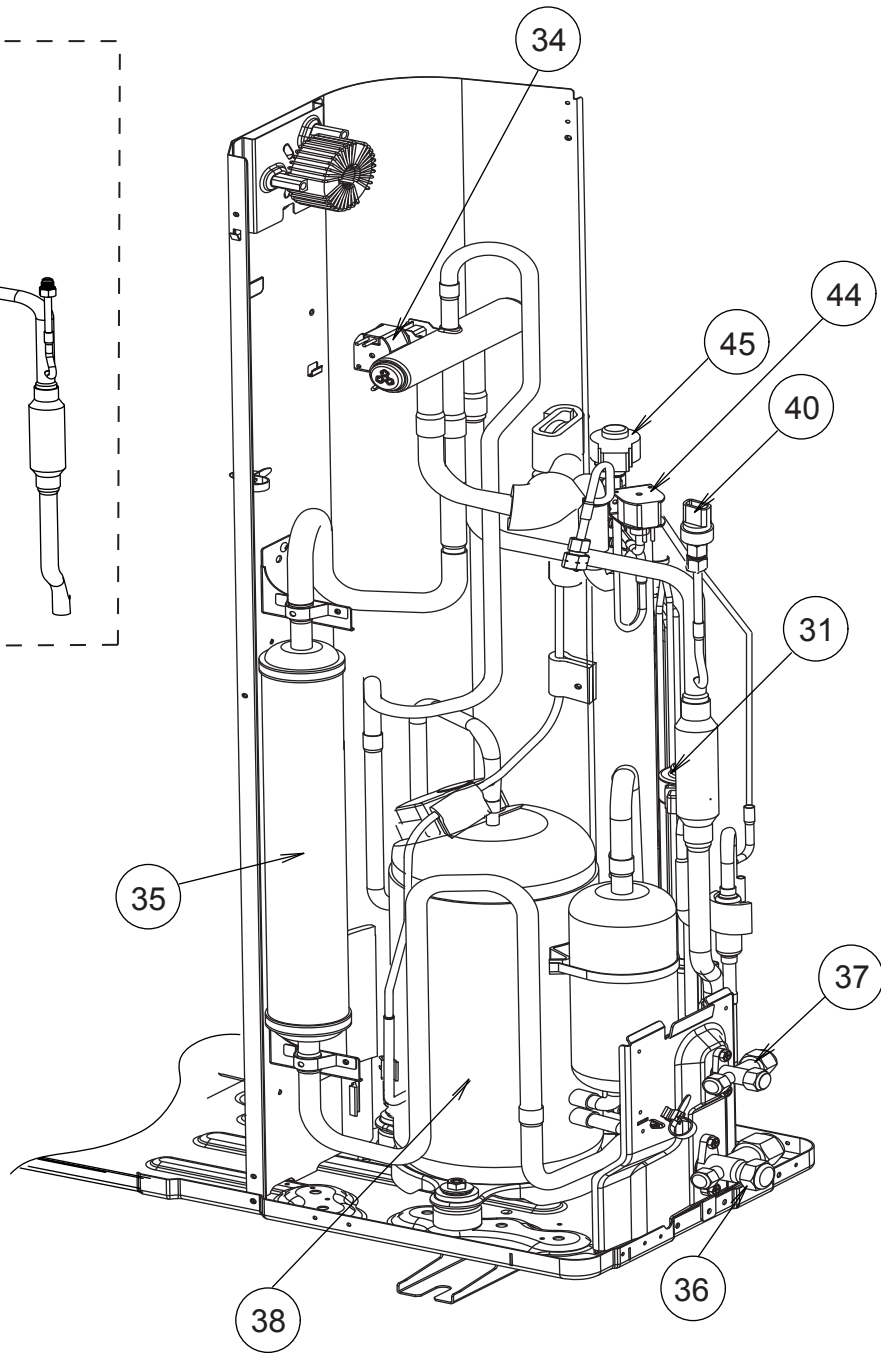
41

39

32



Expansion Valve Assy



34

44

45

40

31

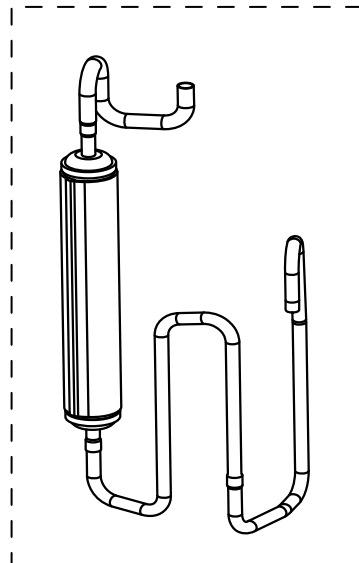
35

37

38

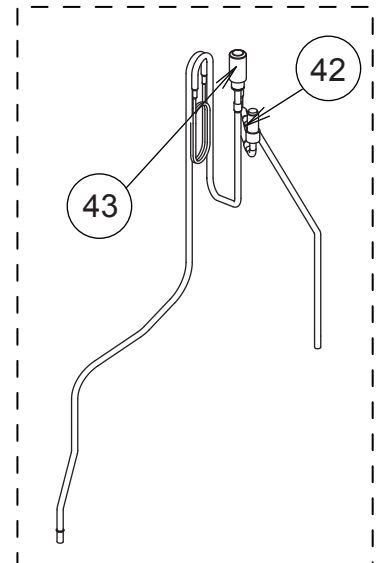
36

Ref.	Description	Parts number
31	Coil (Expansion Valve)	9970098048
32	Expansion Valve Assy	9370947250
33	4-way Valve Assy	9374425266
34	Solenoid (4-way)	9970113024
35	Accumulator	9385005006
36	3-way Valve Assy	9380032007
37	3-way Valve Assy	9319817002
38	Compressor Assy	9380759003
39	Strainer Assy	9372524015
40	Sensor (Pressure)	9900505073
41	Expansion Valve	9900170059
42	Solenoid Valve	9970046018
43	Expansion Valve	9900056025
44	Solenoid (injection)	9970099021
45	Coil (Expansion Valve)	9970096068
46	Joint Pipe (injection) Assy	9379504058
47	Accumulator Sub Assy	9374426164
--	Screw (Solenoid Valve)	9970024016



Accumulator Sub Assy

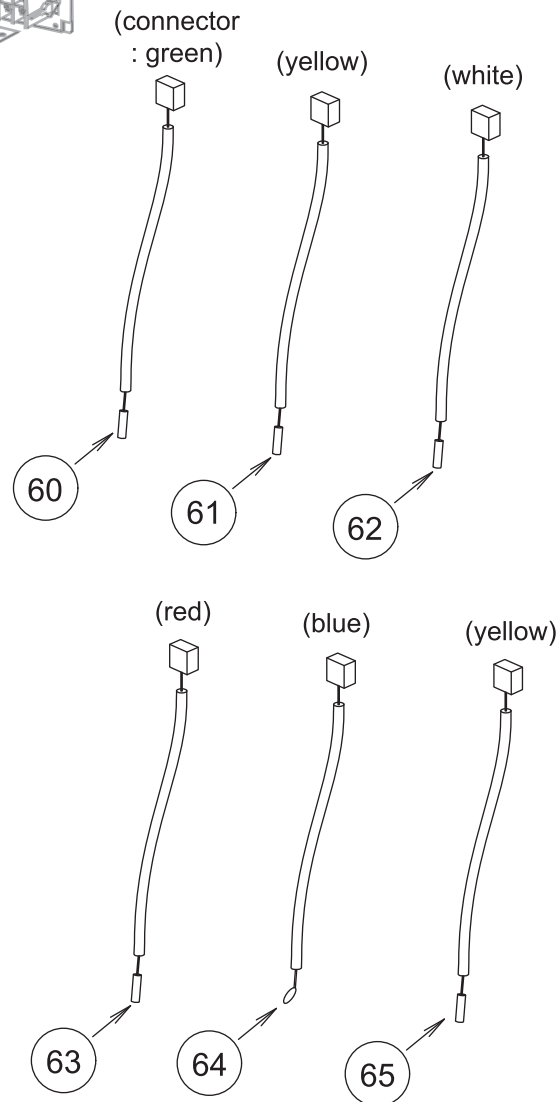
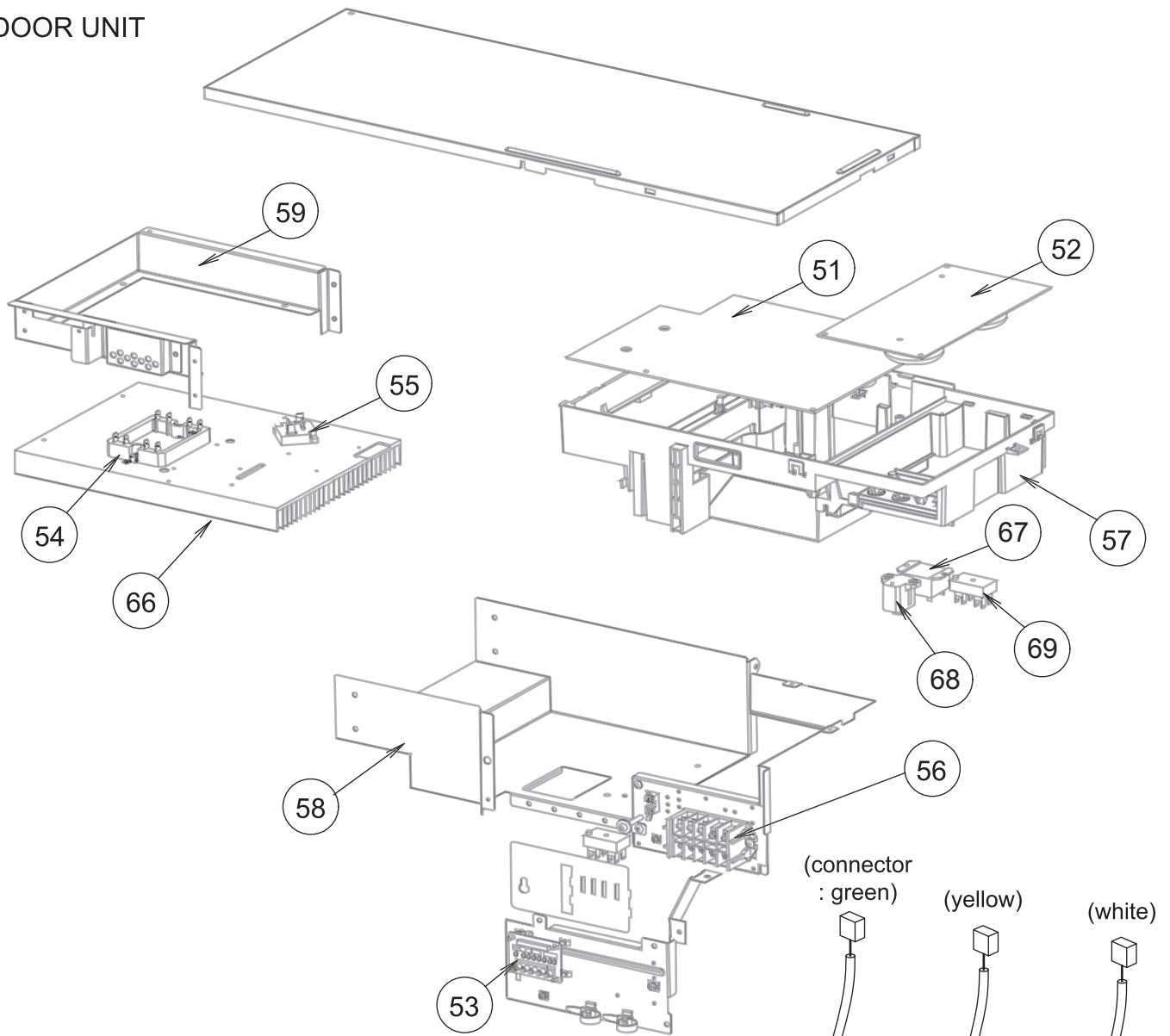
47



Joint Pipe (injection) Assy

46

# OUTDOOR UNIT



Ref.	Description	Parts number
51	Main PCB Assy (112)	9708900049
51	Main PCB Assy (140)	9708900032
52	Filter PCB Assy	9705647176
53	Indicator PCB Assy	9708678016
54	ACTPM	9707278019
55	DIODE,POWER(BRIDGE)	0100122039
56	Terminal	9900428020
57	Inverter Box A	9374603015
58	Inverter Box B Assy	9374625031
59	Inverter Box C	9374605019
60	Compressor Thermistor	9900156060
61	Thermistor (Discharge)	9900621025
62	Thermistor (Heat Exchanger Med)	9900556013
63	Thermistor (Heat Exchanger Out)	9900540029
64	Thermistor (Outdoor)	9900477035
65	EEV Thermistor	9900553012
66	HEAT SINK C	9374607037
67	Relay	9900262013
68	PCT Thermistor	9704265012
69	Terminal	9900433017