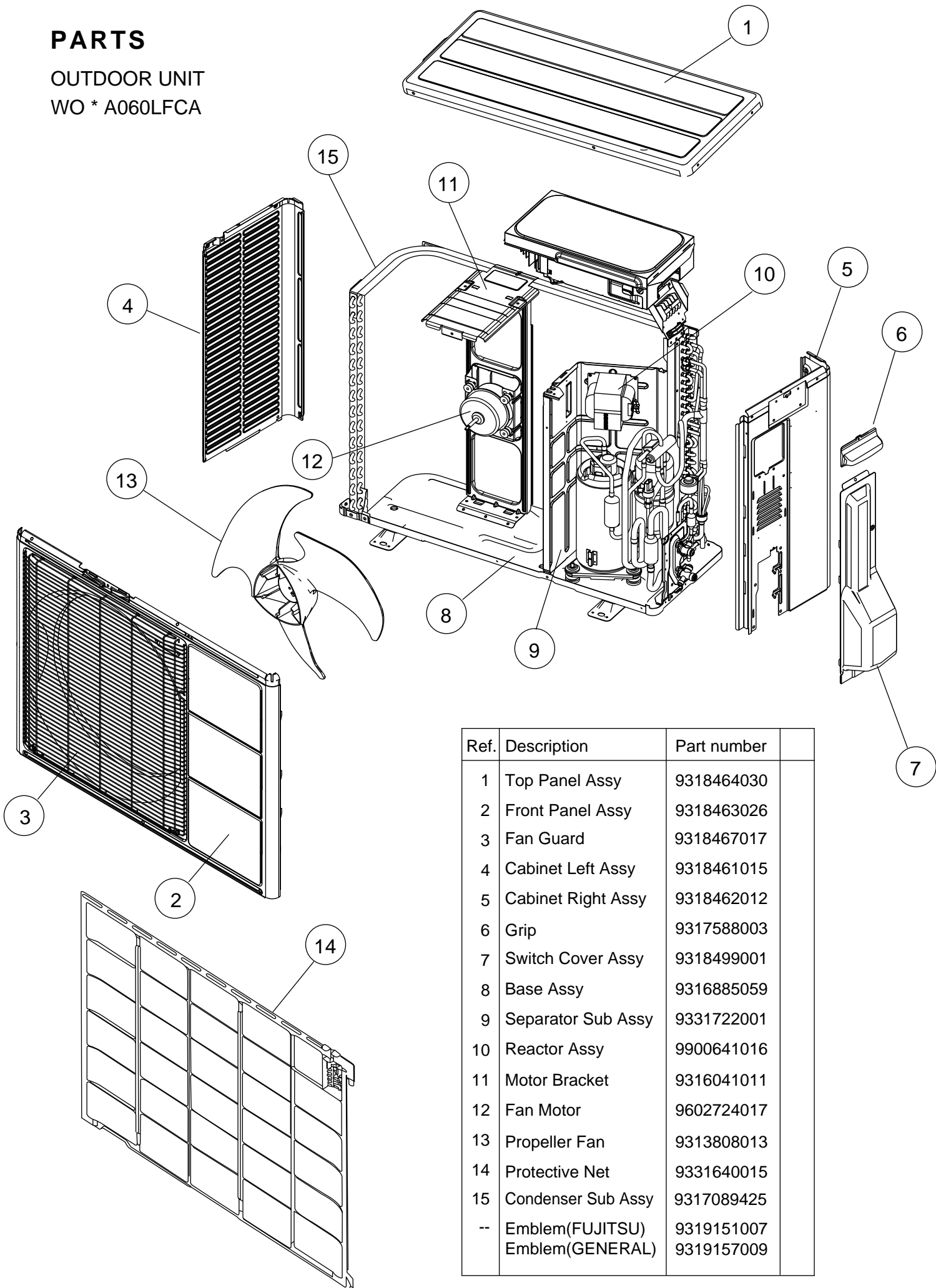


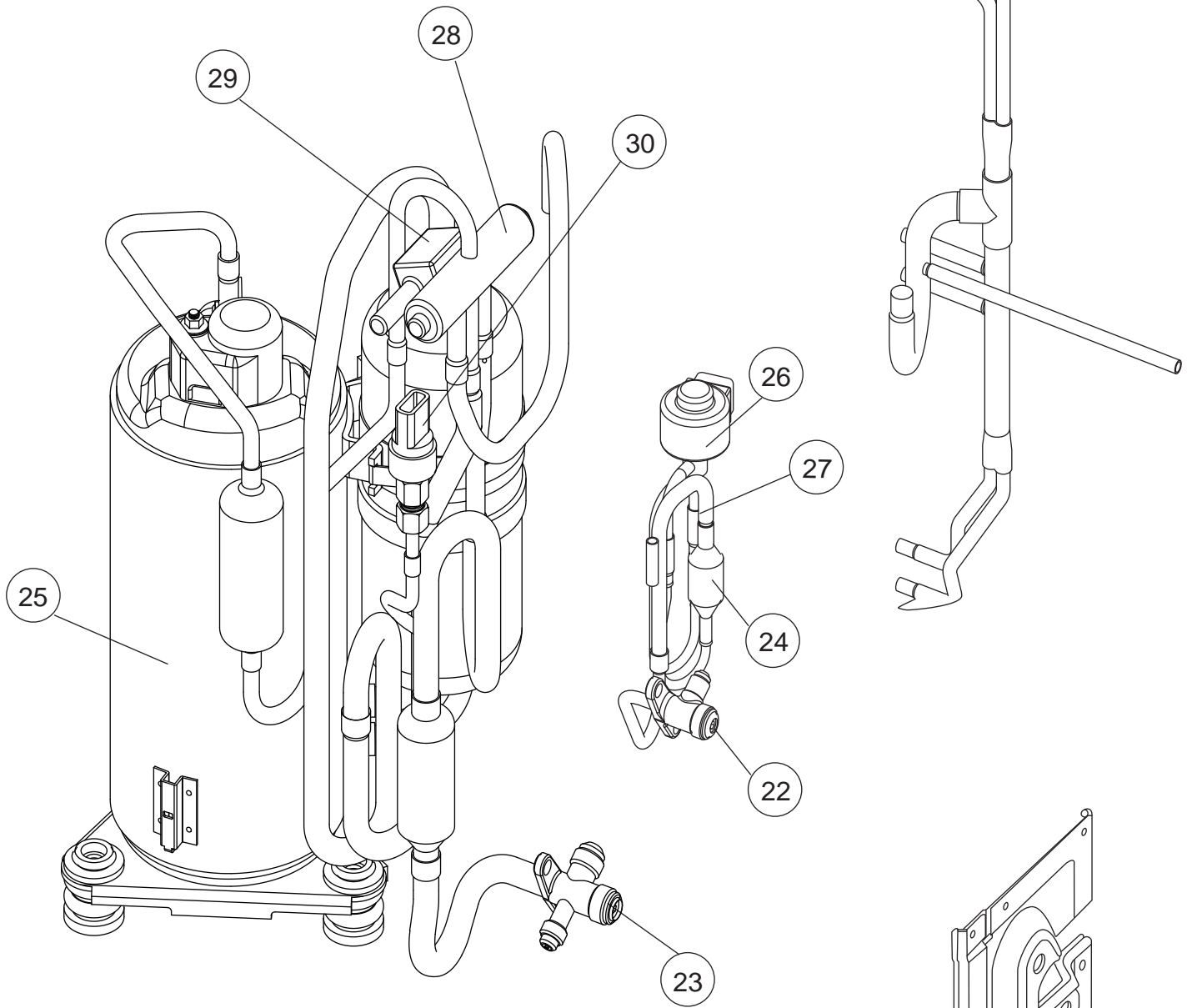
# PARTS

OUTDOOR UNIT  
WO \* A060LFCA

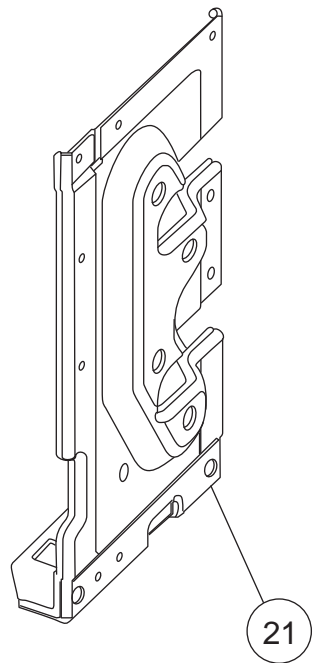


Ref.	Description	Part number
1	Top Panel Assy	9318464030
2	Front Panel Assy	9318463026
3	Fan Guard	9318467017
4	Cabinet Left Assy	9318461015
5	Cabinet Right Assy	9318462012
6	Grip	9317588003
7	Switch Cover Assy	9318499001
8	Base Assy	9316885059
9	Separator Sub Assy	9331722001
10	Reactor Assy	9900641016
11	Motor Bracket	9316041011
12	Fan Motor	9602724017
13	Propeller Fan	9313808013
14	Protective Net	9331640015
15	Condenser Sub Assy	9317089425
--	Emblem(FUJITSU)	9319151007
--	Emblem(GENERAL)	9319157009

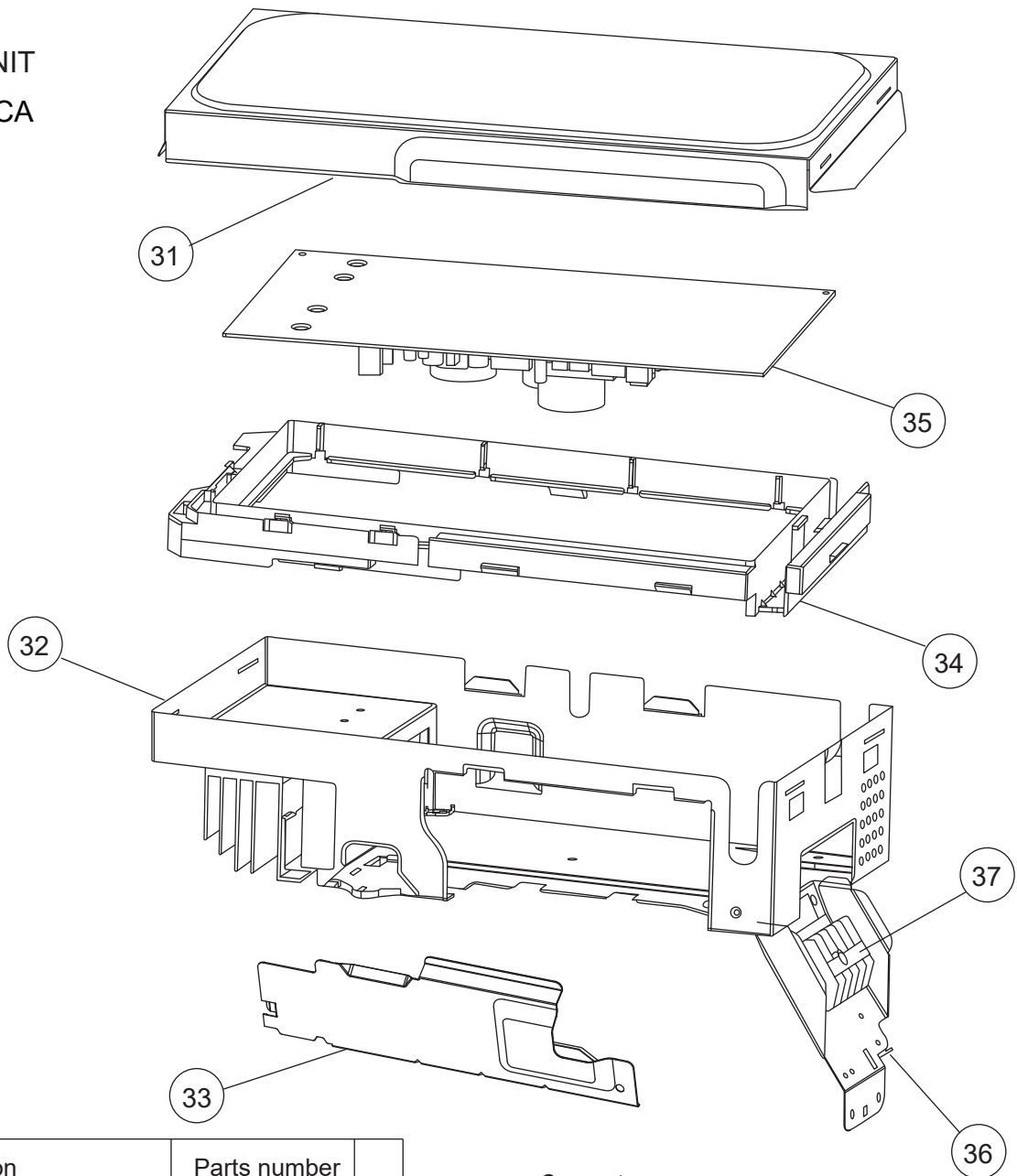
OUTDOOR UNIT  
 WO \* A060LFCA



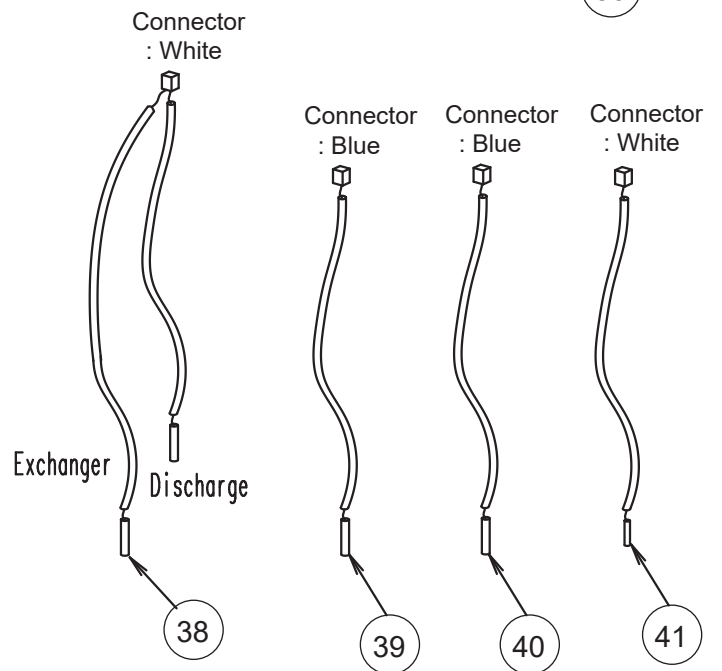
Ref	Description	Parts number
21	Bracket Valve	9331649070
22	2-way Valve Assy	9314554018
23	3-way Valve Sub Assy (Include Muffler)	9317109017
24	Straner C	9311440017
25	Compressor Sub Assy	9810244000
26	Expansion Valve Coil	9970095030
27	Pulse Motor Valve Assy	9314557040
28	4-way Valve Assy (Include Muffler)	9315311108
29	Solenoid	9970110023
30	Pressure Sensor	9900505127



OUTDOOR UNIT  
WO \* A060LFCA

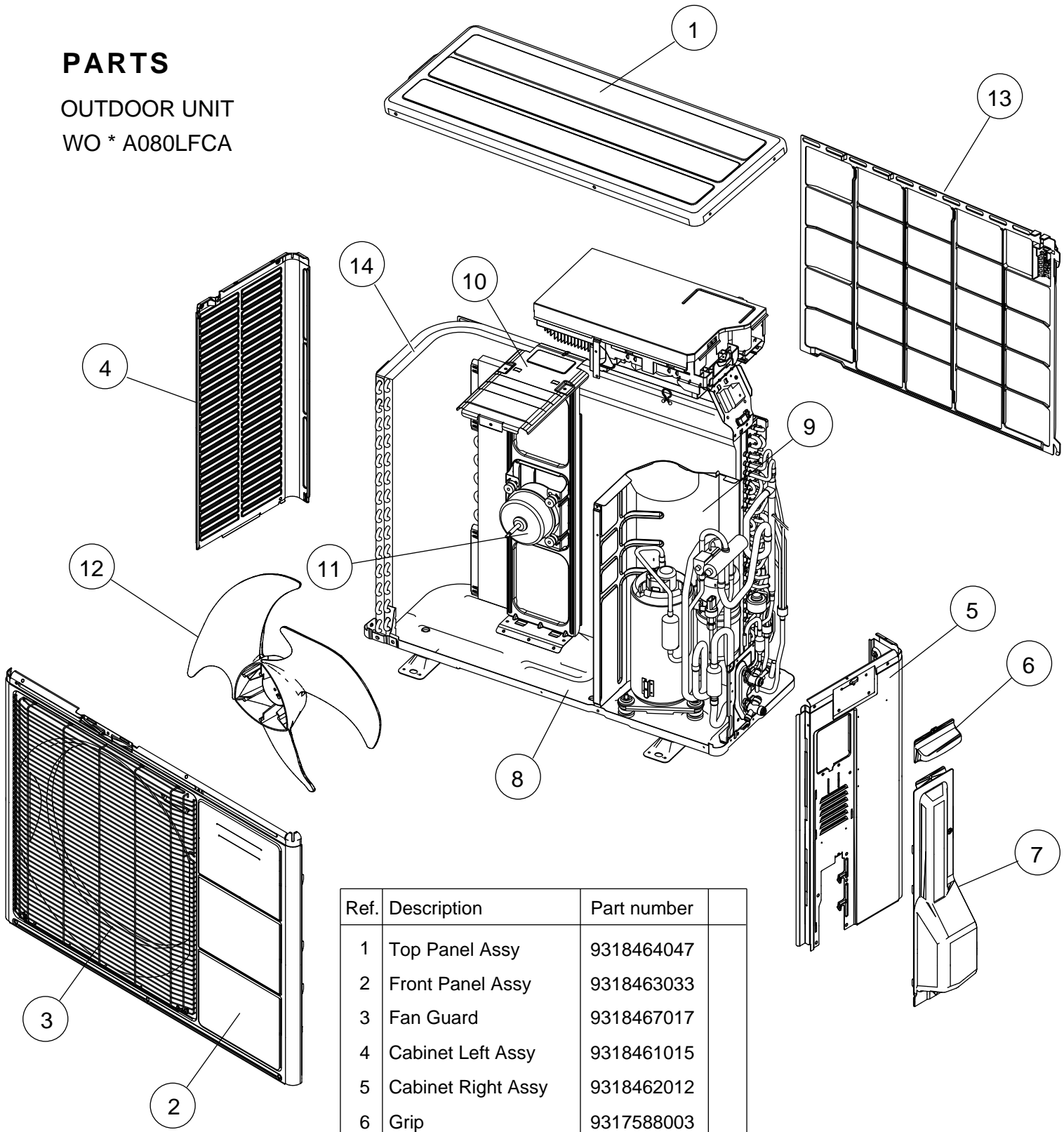


Ref	Description	Parts number
31	Sealed Panel	9309913011
32	Inverter Case Assy	9315690029
33	Inverter Case Cover	9314507038
34	PCB Holder	9313074029
35	PCB Assy (Service unit)	970968 <b>6478</b>
36	Bracket Terminal	9315233103
37	Terminal 6P	9900016067
38	Thermistor Assy	9900782009
39	Outdoor Thermistor	9900544003
40	Compressor Thermistor	9900516017
41	EEV Thermistor	9900781002
---	Fuse(250V 20A)	<b>0600382018</b>
---	Fuse Hoder	<b>0501454012</b>



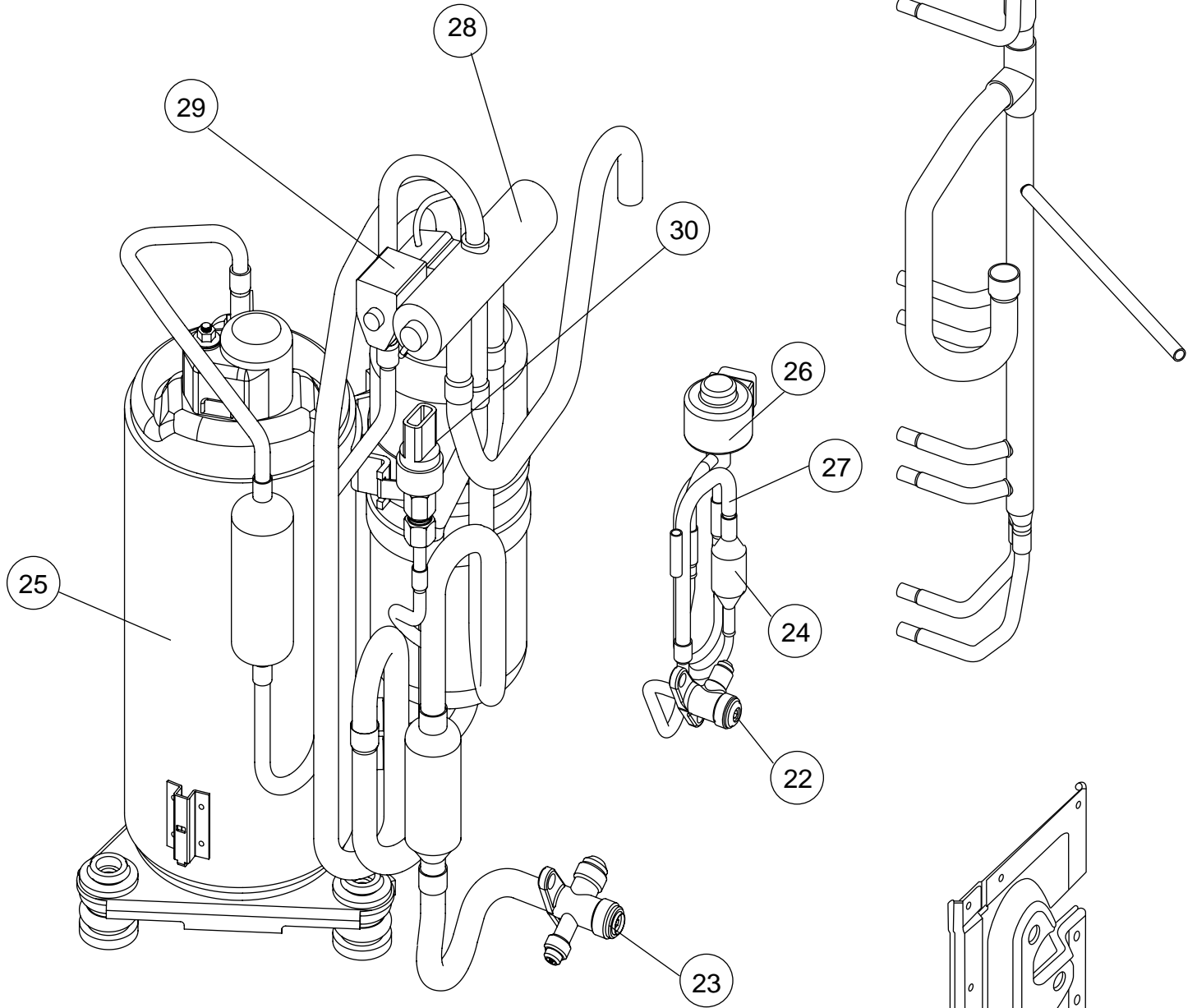
# PARTS

OUTDOOR UNIT  
WO \* A080LFCA

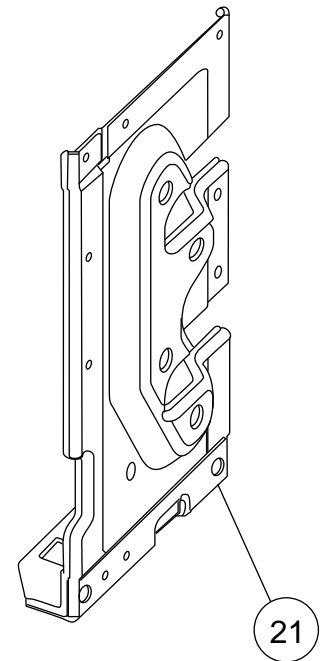


Ref.	Description	Part number
1	Top Panel Assy	9318464047
2	Front Panel Assy	9318463033
3	Fan Guard	9318467017
4	Cabinet Left Assy	9318461015
5	Cabinet Right Assy	9318462012
6	Grip	9317588003
7	Switch Cover Assy	9318499001
8	Base Assy	9316885059
9	Separator	9315899026
10	Motor Bracket Assy	9319124001
11	Motor Assy	9317757010
12	Propeller Fan	9313808013
13	Protective Net	9331640015
14	Condenser Total Assy	9317089159
--	Emblem(FUJITSU)	9319151007
--	Emblem(GENERAL)	9319157009

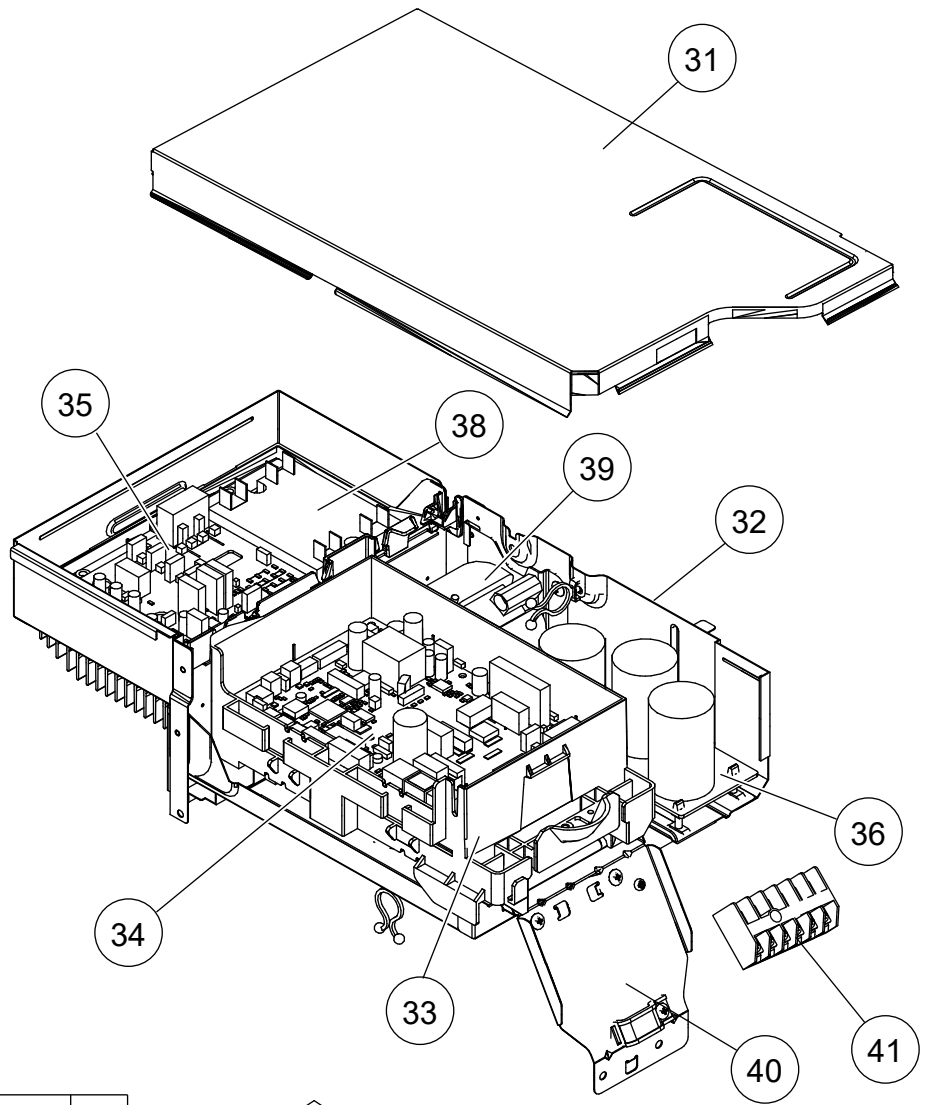
OUTDOOR UNIT  
 WO \* A080LFCA



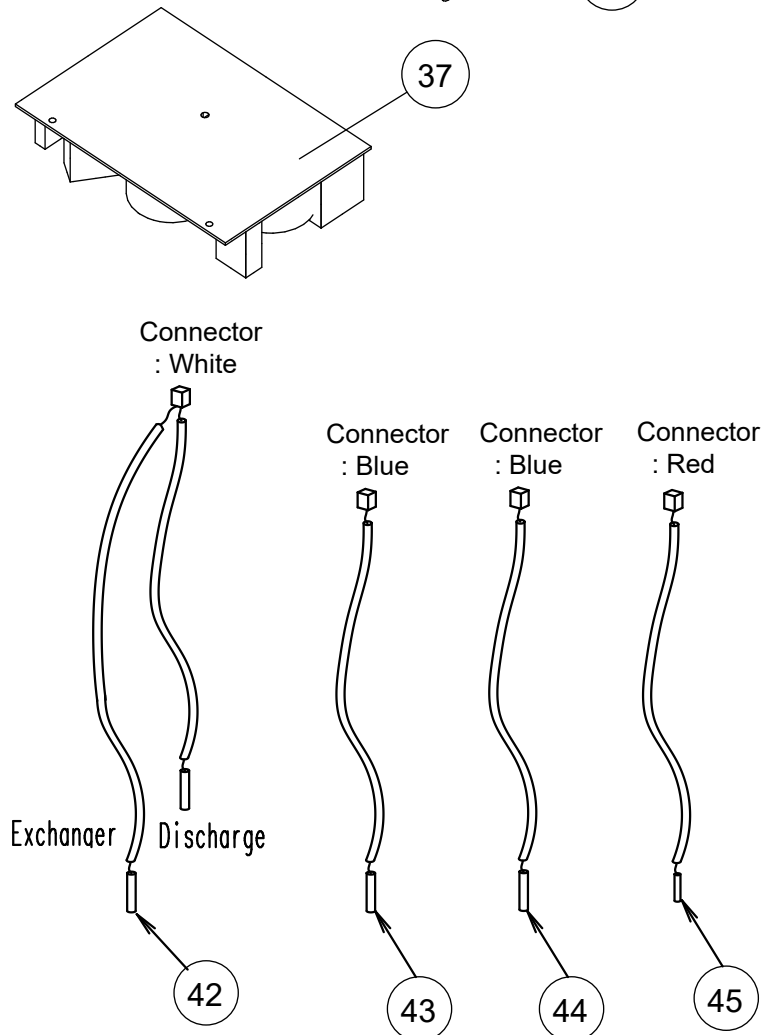
Ref	Description	Parts number
21	Bracket Valve	9331649070
22	2-way Valve Assy	9314554018
23	3-way Valve Sub Assy (Include Muffler)	9319098005
24	Straner C	9311440017
25	Compressor Sub Assy	9810244000
26	Expansion Valve Coil	9970095030
27	Pulse Motor Valve Assy	9314557040
28	4-way Valve Assy (Include Muffler)	9319217031
29	Solenoid	9970110023
30	Pressure Sensor	9900505110



OUTDOOR UNIT  
WO \* A080LFCA

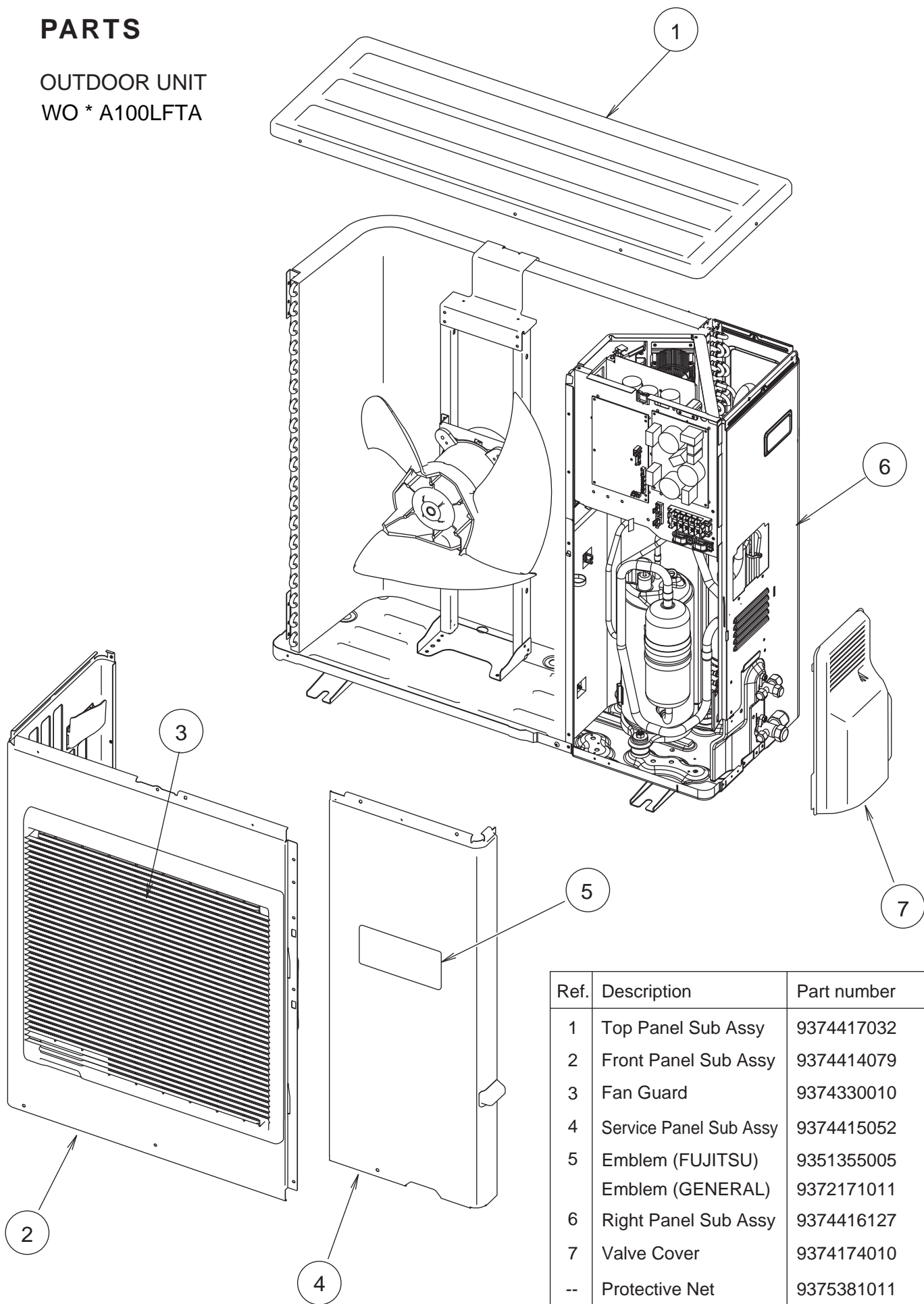


Ref.	Description	Part number
31	Case Cover Assy	9315781031
32	Inverter Case Assy	9315040022
33	PCB Holder	9315050021
34	Controller PCB Assy	9709881071
35	Transistor PCB Assy	9709680759
36	Capacitor PCB Assy	9708514017
37	Power Supply PCB Assy	9709217016
38	ACTPM	9707592016
39	Choke Coil	9900223014
40	Terminal Bracket	9318353020
41	Terminal 6P	9900016067
42	Thermistor Assy	9900451028
43	Outdoor Thermistor	9900544041
44	Compressor Thermistor	9900516017
45	EEV Thermistor (Discharge)	9900780012
---	Fuse(250V 25A)	0600086039
---	Fuse Holder	0501454012



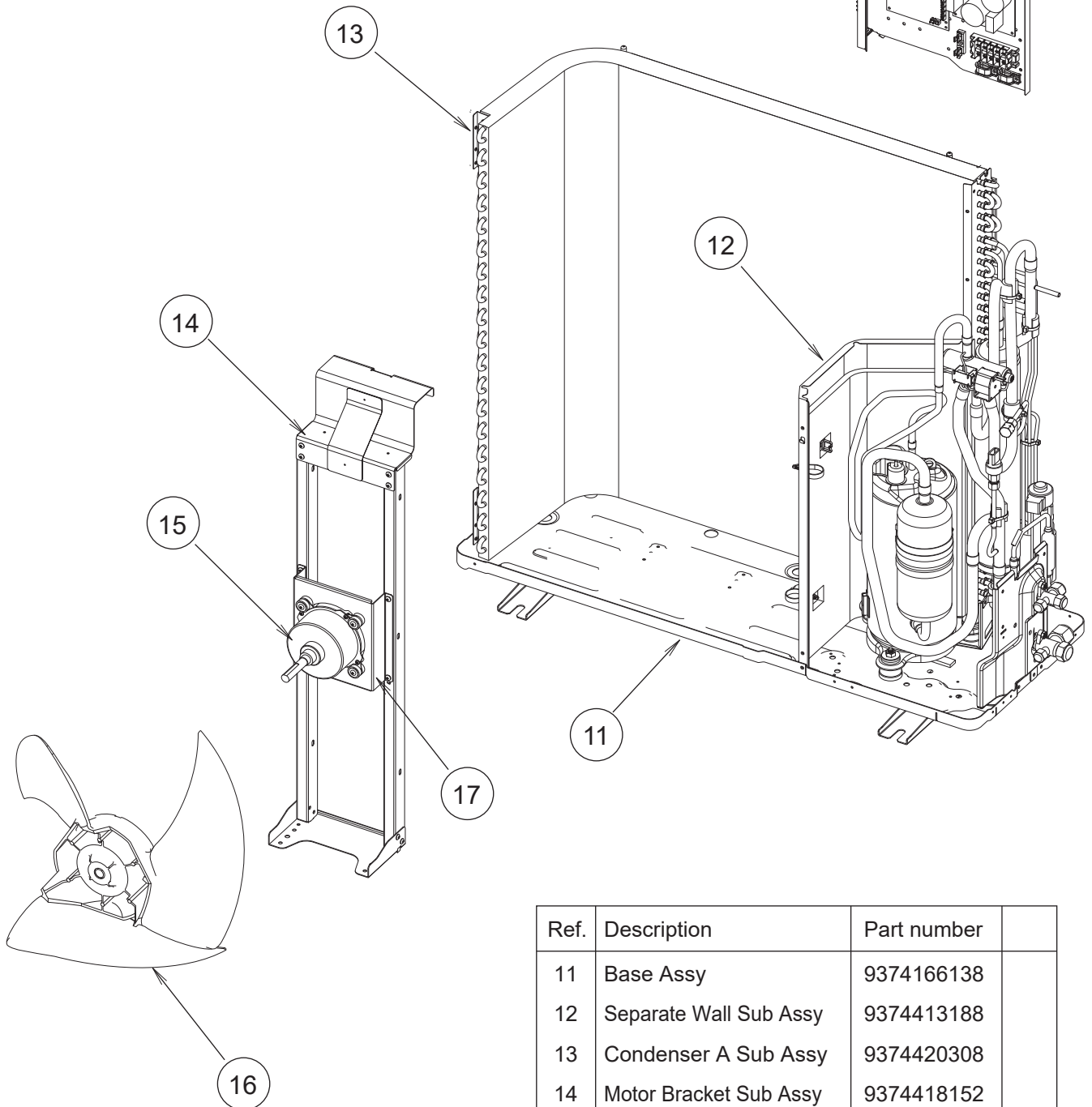
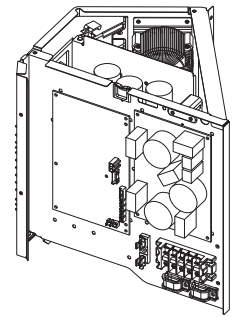
# PARTS

OUTDOOR UNIT  
WO \* A100LFTA



Ref.	Description	Part number
1	Top Panel Sub Assy	9374417032
2	Front Panel Sub Assy	9374414079
3	Fan Guard	9374330010
4	Service Panel Sub Assy	9374415052
5	Emblem (FUJITSU)	9351355005
	Emblem (GENERAL)	9372171011
6	Right Panel Sub Assy	9374416127
7	Valve Cover	9374174010
--	Protective Net	9375381011

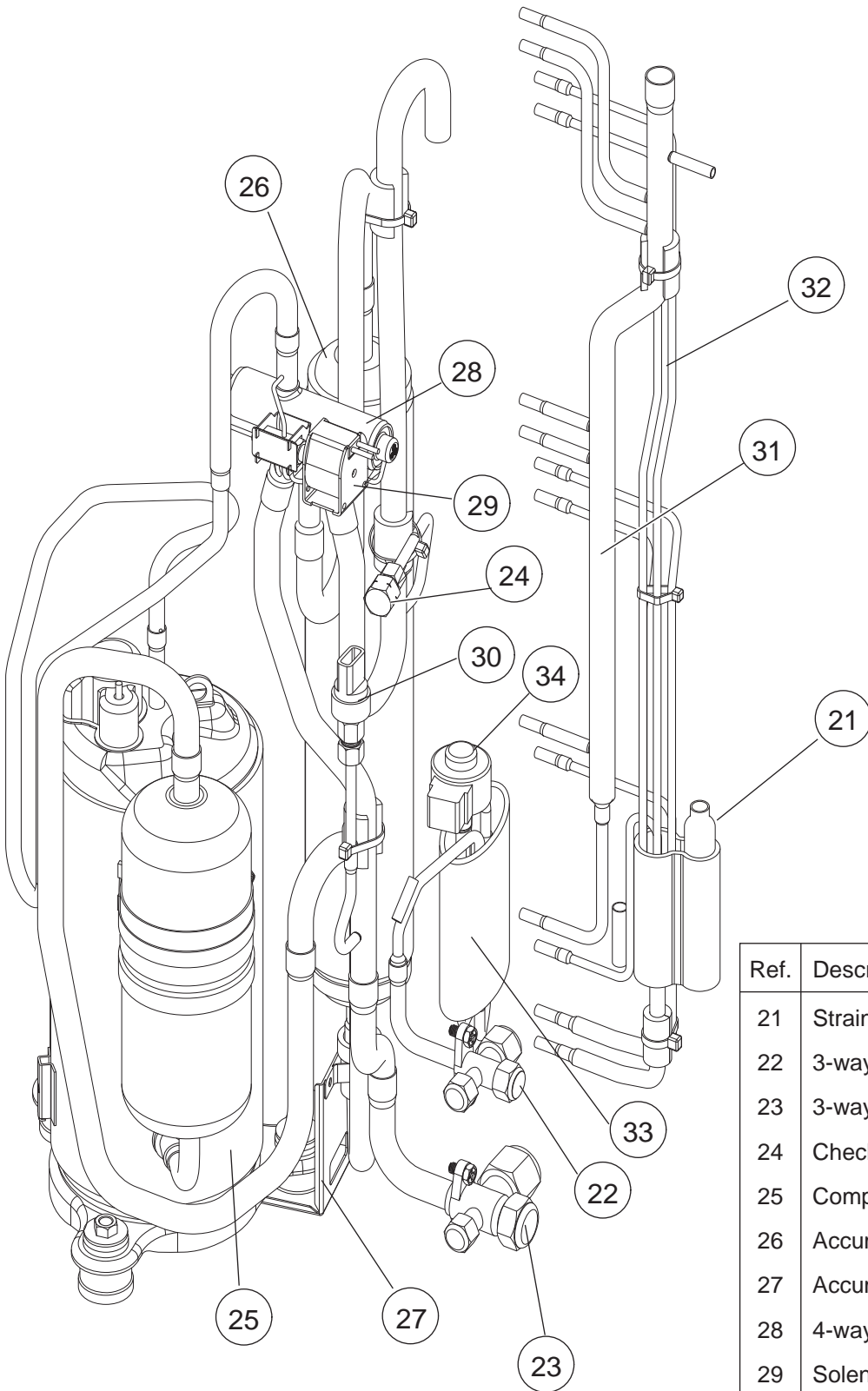
OUTDOOR UNIT  
 WO \* A100LFTA



Ref.	Description	Part number	
11	Base Assy	9374166138	
12	Separate Wall Sub Assy	9374413188	
13	Condenser A Sub Assy	9374420308	
14	Motor Bracket Sub Assy	9374418152	
15	DC Fan Motor (Service unit)	9379385015	
16	Propeller Fan Assy	9366378020 9366378037	
17	Motor Bracket CTR B	9374611010	

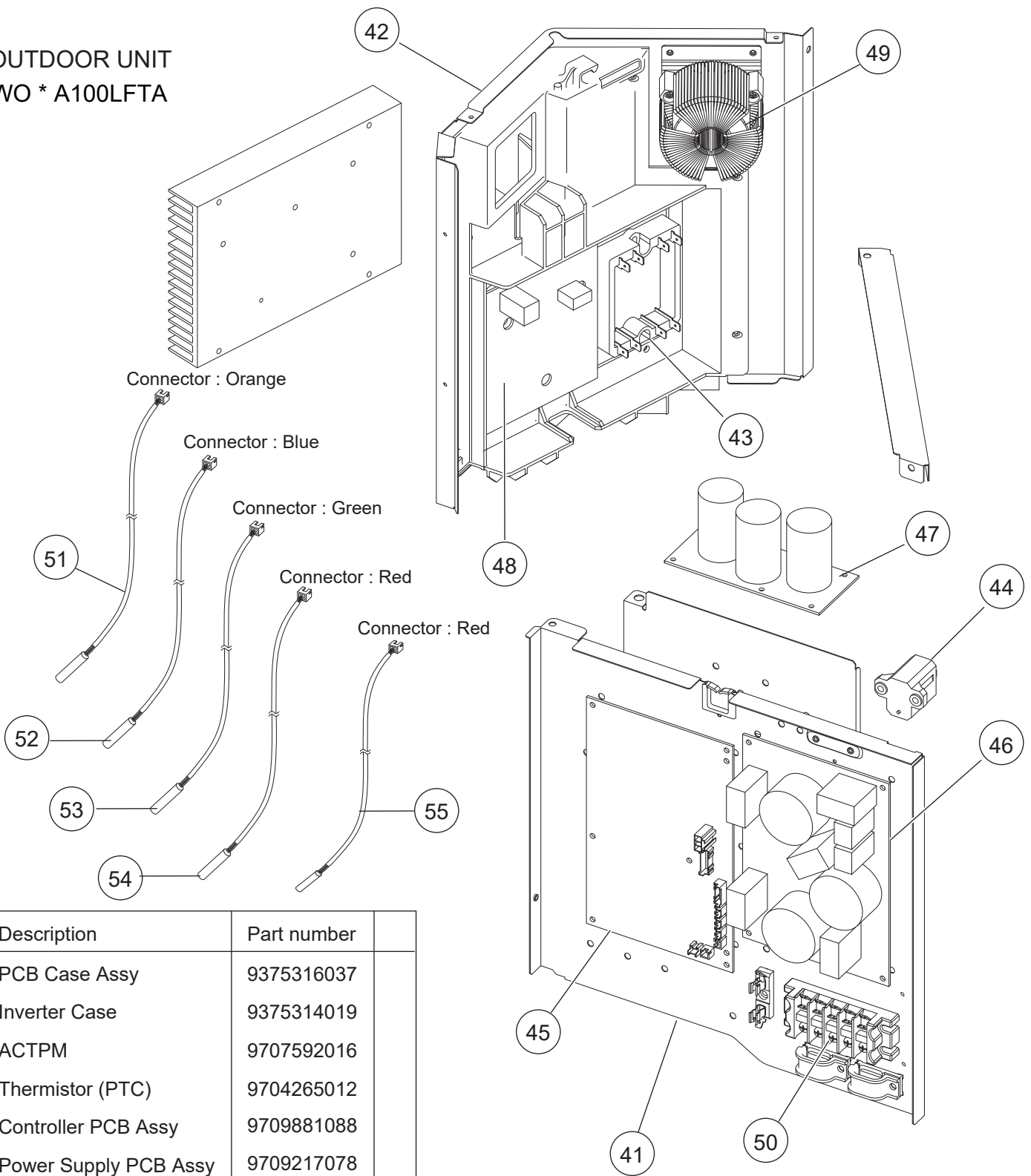


OUTDOOR UNIT  
WO \* A100LFTA



Ref.	Description	Part number
21	Strainer Sub Assy	9374421039
22	3-way Valve Sub Assy	9377958013
23	3-way Valve Assy	9374470044
24	Check Joint Assy	9372802038
25	Compressor	9810135001
26	Accumulator	9385005006
27	Accumulator Support Assy	9355351003
28	4-way Valve	9900164010
29	Solenoid	9970110061
30	Pressure Sensor	9900505011
31	Inlet Pipe (Cond) A Assy	9373461067
32	Outlet Pipe (Cond) A Assy	9374266104
33	Expansion Valve Assy	9370947267
34	Expansion Valve Coil	9970095030

OUTDOOR UNIT  
WO \* A100LFTA



Ref.	Description	Part number
41	PCB Case Assy	9375316037
42	Inverter Case	9375314019
43	ACTPM	9707592016
44	Thermistor (PTC)	9704265012
45	Controller PCB Assy	9709881088
46	Power Supply PCB Assy	9709217078
47	Capacitor PCB Assy	9709894002
48	Transistor PCB Assy (Service unit)	9709681237
49	Choke Coil	9900223014
50	Terminal (5P)	9900203023
51	Discharge Thermistor	9900461003
52	Outdoor Thermistor	9900463007
53	Compressor Thermistor	9900466015
54	Heat Exchanger Thermistor	9900462000
55	EEV Thermistor	9900780005
---	Fuse(250V 25A)	0600086039
---	Fuse Holder	0501454012