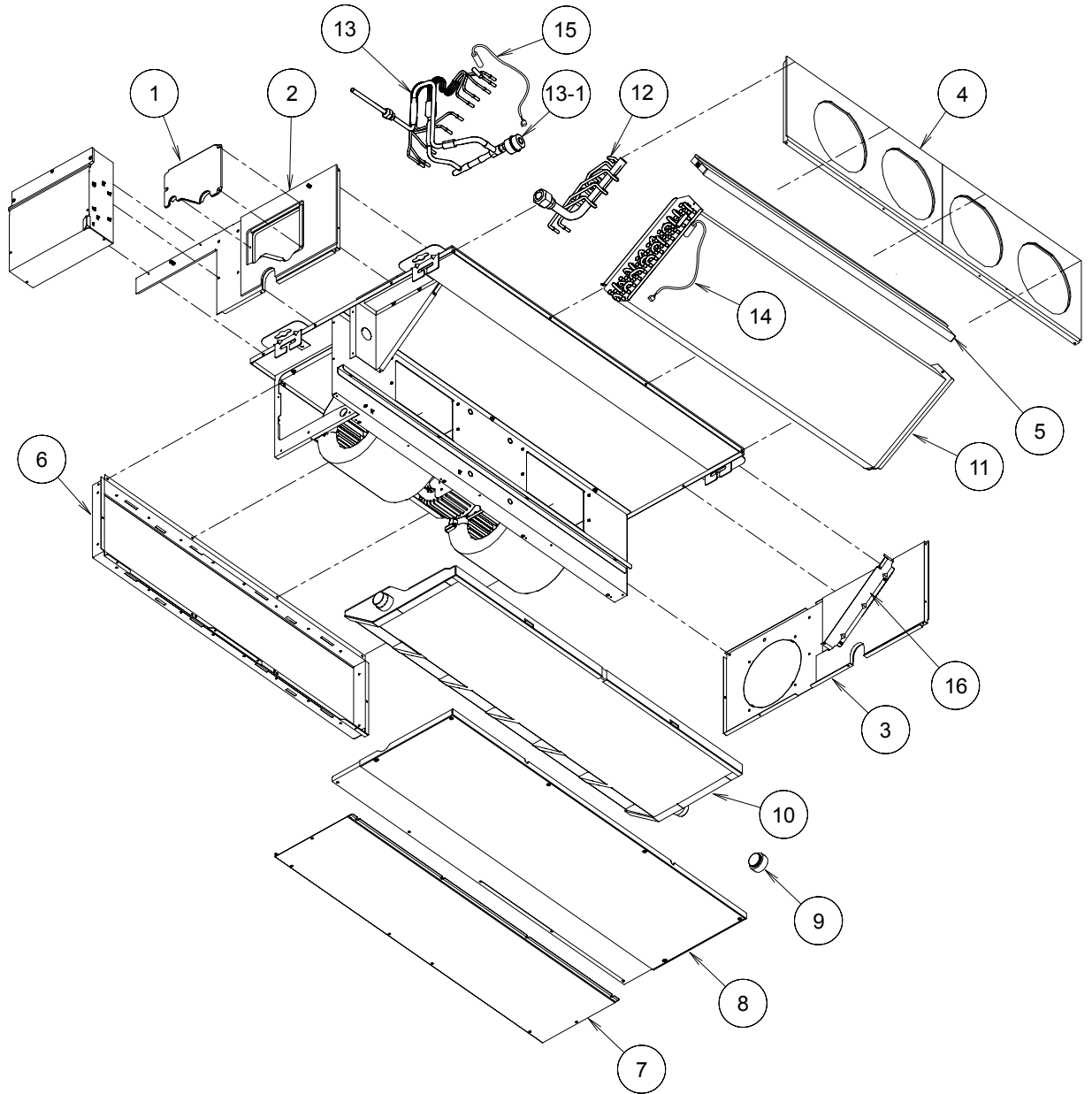
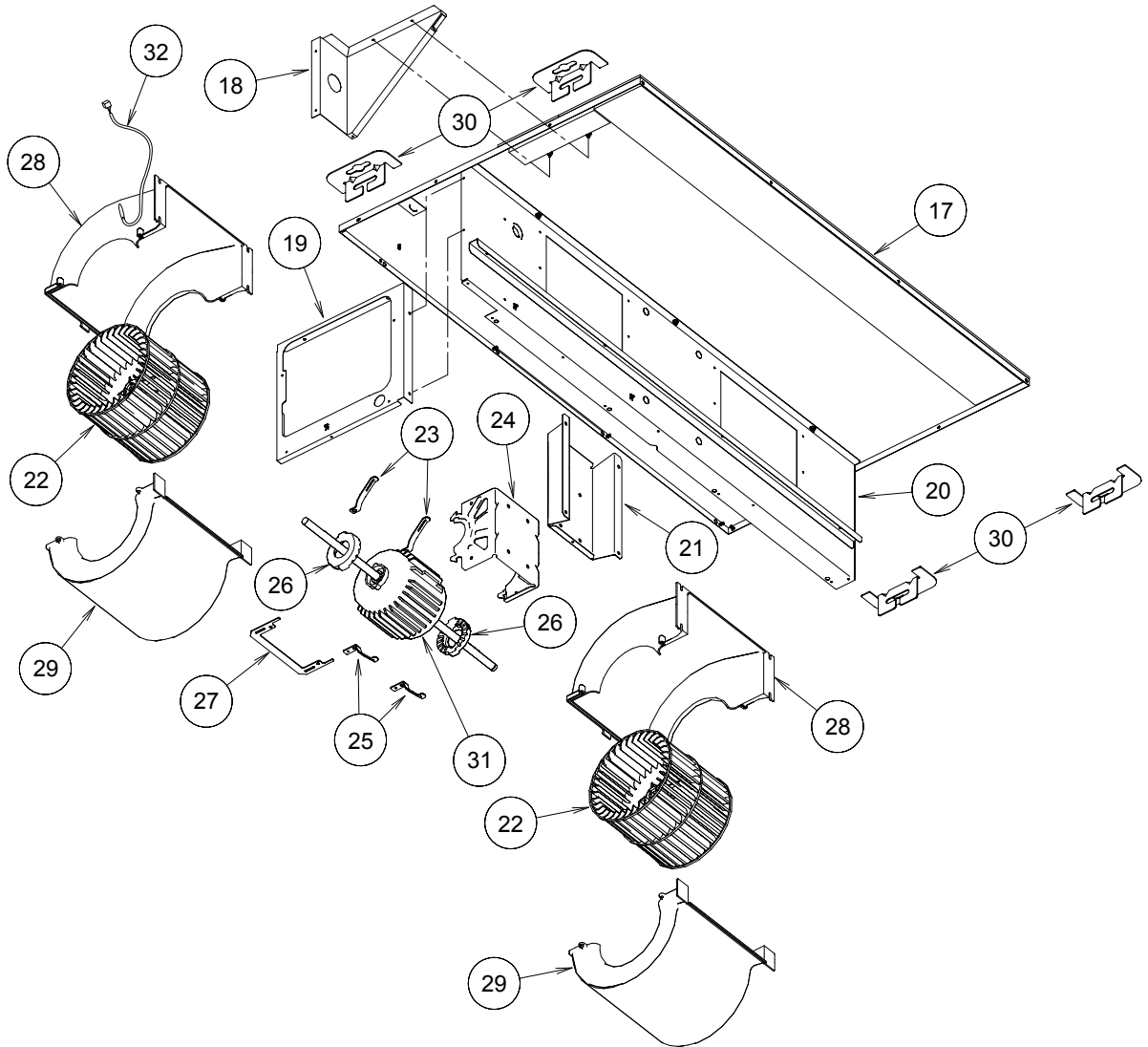


**MODELS : ARXB25, ARXB30, ARXB36, ARXB45
ARXA25, ARXA30, ARXA36, ARXA45**



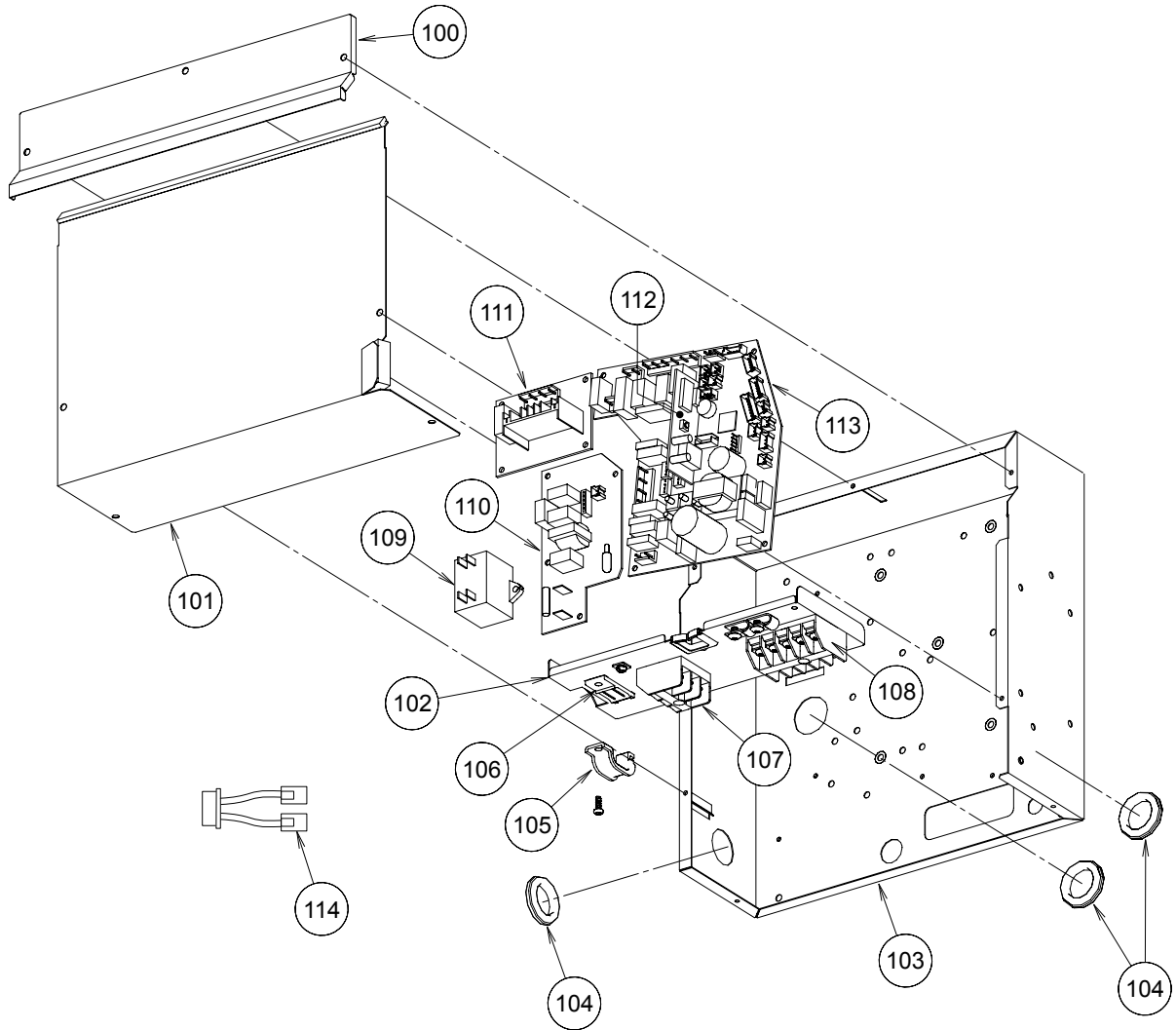
Ref No.	Description	Parts No.								Q'ty
		ARXB25	ARXB30	ARXB36	ARXB45	ARXA25	ARXA30	ARXA36	ARXA45	
1	BRACKET (PIPE) SUB ASSY	9374514014	9374514014	9374514014	9374514014	9374514014	9374514014	9374514014	9374514014	
2	CABINET R SUB ASSY	9374508013	9374508013	9374508013	9374508013	9374508013	9374508013	9374508013	9374508013	
3	CABINET L SUB ASSY	9374509010	9374509010	9374509010	9374509010	9374509010	9374509010	9374509010	9374509010	
4	OUTLET PANEL SUB ASSY	9374510016	9374510016	9374510016	9374510016	9374510016	9374510016	9374510016	9374510016	
5	SEAL PANEL (EVA) SUB ASSY	9374515011	9374515011	9374515011	9374515011	9374515011	9374515011	9374515011	9374515011	
6	INTAKE FRAME ASSY	9374216017	9374216017	9374216017	9374216017	9374216017	9374216017	9374216017	9374216017	
7	INTAKE COVER SUB ASSY	9374512010	9374512010	9374512010	9374512010	9374512010	9374512010	9374512010	9374512010	
8	MAIN PANEL SUB ASSY	9374511013	9374511013	9374511013	9374511013	9374511013	9374511013	9374511013	9374511013	
9	CAP(DRAIN)	9356541007	9356541007	9356541007	9356541007	9356541007	9356541007	9356541007	9356541007	
10	DRAIN PAN SUB ASSY	9374513017	9374513017	9374513017	9374513017	9374513017	9374513017	9374513017	9374513017	
11	EVAPORATER TOTAL ASSY	9374517039	9374517039	9374517046	9374517053	9374517039	9374517039	9374517046	9374517053	
	EVAPORATER ASSY	9374518012	9374518012	9374518012	9372585047	9374518012	9374518012	9374518012	9372585047	
12	COUPLING PIPE ASSY	9371333083	9371333083	9371333090	9373038269	9371333083	9371333083	9371333090	9373038269	
13	DISTRIBUTOR ASSY	9371325156	9371325156	9371325163	9371325170	9371325156	9371325156	9371325163	9371325170	
13-1	EXPANSION VALVE	9366302025	9366302025	9900242046	9900242046	9366302025	9366302025	9900242046	9900242046	
14	THERMISTOR (PIPE-MID)	9703297090	9703297090	9703297090	9703297021	9703297090	9703297090	9703297090	9703297021	
15	THERMISTOR (PIPE-IN)	9900220013	9900220013	9900220013	9900220037	9900220013	9900220013	9900220013	9900220037	
16	BRACKET (EVA) L	9374208012	9374208012	9374208012	9374208012	9374208012	9374208012	9374208012	9374208012	

**MODELS : ARXB25, ARXB30, ARXB36, ARXB45
ARXA25, ARXA30, ARXA36, ARXA45**






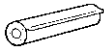





Ref No.	Description	Parts No.								Q'ty
		ARXB25	ARXB30	ARXB36	ARXB45	ARXA25	ARXA30	ARXA36	ARXA45	
17	BASE SUB ASSY	9374504015	9374504015	9374504015	9374504015	9374504015	9374504015	9374504015	9374504015	
18	BRACKET (EVA) R	9374207015	9374207015	9374207015	9374207015	9374207015	9374207015	9374207015	9374207015	
19	PANEL (COTROL BOX)	9374210015	9374210015	9374210015	9374210015	9374210015	9374210015	9374210015	9374210015	
20	SEPARATE WALL ASSY	9374228010	9374228010	9374228010	9374228010	9374228010	9374228010	9374228010	9374228010	
21	BRACKET MOTOR ASSY	9374230013	9374230013	9374230013	9374230013	9374230013	9374230013	9374230013	9374230013	
22	SIRROCO FAN ASSY	9356531022	9356531022	9356531022	9356531022	9356531022	9356531022	9356531022	9356531022	
23	MOTOR BAND A	9374647019	9374647019	9374647019	9374647019	9374647019	9374647019	9374647019	9374647019	
24	MOTOR MOUNT	9374281015	9374281015	9374281015	9374281015	9374281015	9374281015	9374281015	9374281015	
25	MOTOR BAND B	9374648023	9374648023	9374648023	9374648023	9374648023	9374648023	9374648023	9374648023	
26	RUBBER (VIBRATION PROOF)	313659068604	313659068604	313659068604	313659068604	313659068604	313659068604	313659068604	313659068604	
27	RFM (MOTOR BAND)	9374646012	9374646012	9374646012	9374646012	9374646012	9374646012	9374646012	9374646012	
28	CASING A	9374233014	9374233014	9374233014	9374233014	9374233014	9374233014	9374233014	9374233014	
29	CASING B	9374234011	9374234011	9374234011	9374234011	9374234011	9374234011	9374234011	9374234011	
30	HOOK METAL	9356563009	9356563009	9356563009	9356563009	9356563009	9356563009	9356563009	9356563009	
31	MOTOR INDUCTION	9600830116	9600830116	9600830086	9600830123	9600830086	9600830086	9600830093	9600830093	
32	THERMISTOR (ROOM)	9703299018	9703299018	9703299018	9703299018	9703299018	9703299018	9703299018	9703299018	

**MODELS : ARXB25, ARXB30, ARXB36, ARXB45
ARXA25, ARXA30, ARXA36, ARXA45**



Ref No.	Description	Parts No.								Q'ty
		ARXB25	ARXB30	ARXB36	ARXB45	ARXA25	ARXA30	ARXA36	ARXA45	
100	CONTROL COVER B	9374222018	9374222018	9374222018	9374222018	9374222018	9374222018	9374222018	9374222018	
101	CONTROL COVER A SUB ASSY	9374516018	9374516018	9374516018	9374516018	9374516018	9374516018	9374516018	9374516018	
102	CONTROL BOX B	9374220014	9374220014	9374220014	9374220014	9374220014	9374220014	9374220014	9374220014	
103	CONTROL BOX A	9374219018	9374219018	9374219018	9374219018	9374219018	9374219018	9374219018	9374219018	
104	CAP (POWER)	9352173011	9352173011	9352173011	9352173011	9352173011	9352173011	9352173011	9352173011	
105	CLAMP (CORD)	9356857009	9356857009	9356857009	9356857009	9356857009	9356857009	9356857009	9356857009	
106	CLAMP (CORD) C	9359677000	9359677000	9359677000	9359677000	9359677000	9359677000	9359677000	9359677000	
107	TERMINAL 2P	9703873027	9703873027	9703873027	9703873027	9703873027	9703873027	9703873027	9703873027	
108	TERMINAL 5P	9703874017	9703874017	9703874017	9703874017	9703874017	9703874017	9703874017	9703874017	
109	CAPACITOR (FAN MOTOR)	9900270063	9900270209	9900270056	9704305053	9900270209	9704305053	9700468042	9700468042	
110	FILTER PCB	9704799197	9704799159	9704799159	9704799159	9704799197	9704799159	9704799159	9704799159	
111	RELAY PCB	-	9701594030	9701594030	9701594030	-	9701594030	9701594030	9701594030	
112	COMMUNICATION PCB	9704424044	9704424044	9704424044	9704424044	9704424044	9704424044	9704424044	9704424044	
113	CONTROLLER PCB	9707514070	9707514087	9707514087	9707514087	9707514070	9707514087	9707514087	9707514087	
114	THERMISTOR CONNECTION WIRE	9705465015	9705465015	9705465015	9705465015	9705465015	9705465015	9705465015	9705465015	
-	FUSE 250V 3.15A (FILTER PCB F101)	0600222512	0600222512	0600222512	0600222512	0600222512	0600222512	0600222512	0600222512	
-	FUSE HOLDER	0500158072	0500158072	0500158072	0500158072	0500158072	0500158072	0500158072	0500158072	

**MODELS : ARXB25, ARXB30, ARXB36, ARXB45
ARXA25, ARXA30, ARXA36, ARXA45**

Name and Shape	Q'ty	Application	Parts No.			
			ARXB25 ARXA25	ARXB30 ARXA30	ARXB36 ARXA36	ARXB45 ARXA45
Manual (Operation) 	1		9373384021	9373384021	9373384021	9373384021
Manual (Installation) 	1		9373385035	9373385035	9373385035	9373385035
Coupler heat Insulation (Large) 	1	For indoor unit installation	9350716029	9350716029	9350716029	9350716029
Coupler heat Insulation (Small) 	1	For indoor unit installation	9352766015	9352766015	9352766015	9352766015
Adapter B 	1	Use as needed ø9.52-ø6.35 (ARXA25 /ARXB25)	9370242003	-	-	-
Special nut A (Large flange) 	4	For indoor unit installation	313005446653	313005446653	313005446653	313005446653
Special nut B (Small flange) 	4	For indoor unit installation	313005446759	313005446759	313005446759	313005446759
Drain pipe insulation 	1	Insulation the drain hose and vinyl hose conne- ction	313806217708	313806217708	313806217708	313806217708
Wire 	1	Attached only ARXB25/ 30/36/45 model. Use for static pressure more than 40 Pa.	9707003024	9707003024	9707003024	9707003024