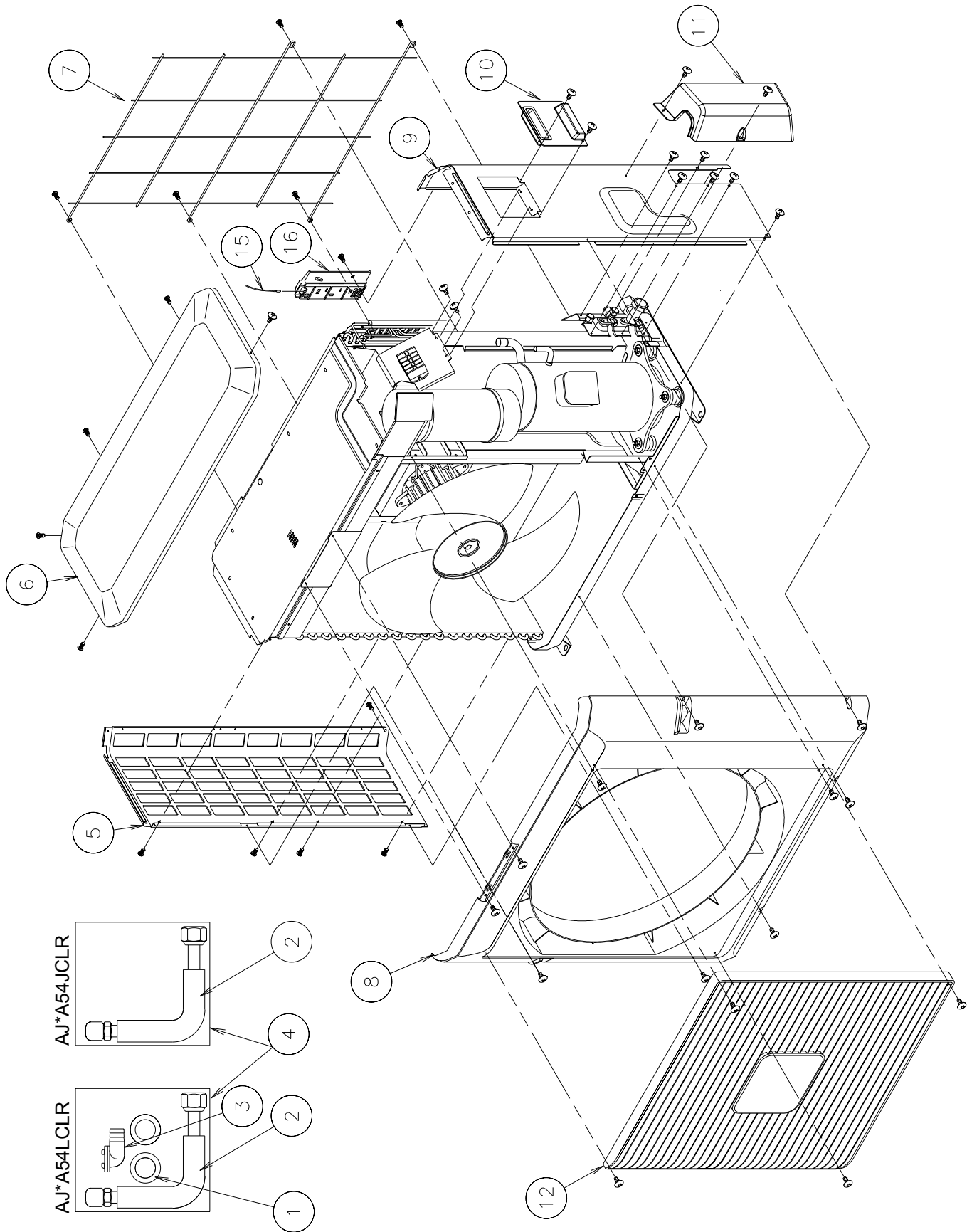


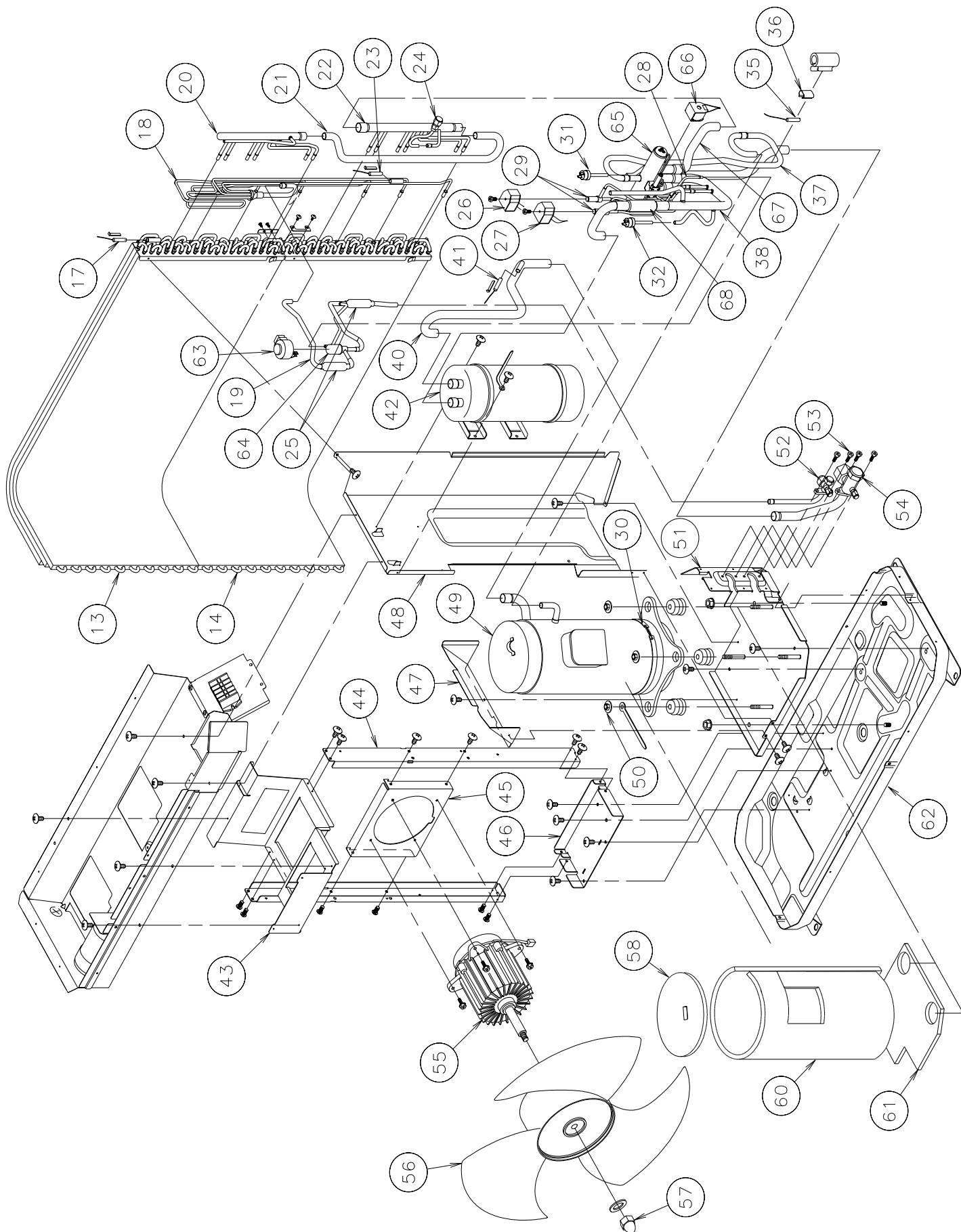
# 10. DISASSEMBLY ILLUSTRATION & PARTS LIST

## 10-1 OUTDOOR UNIT

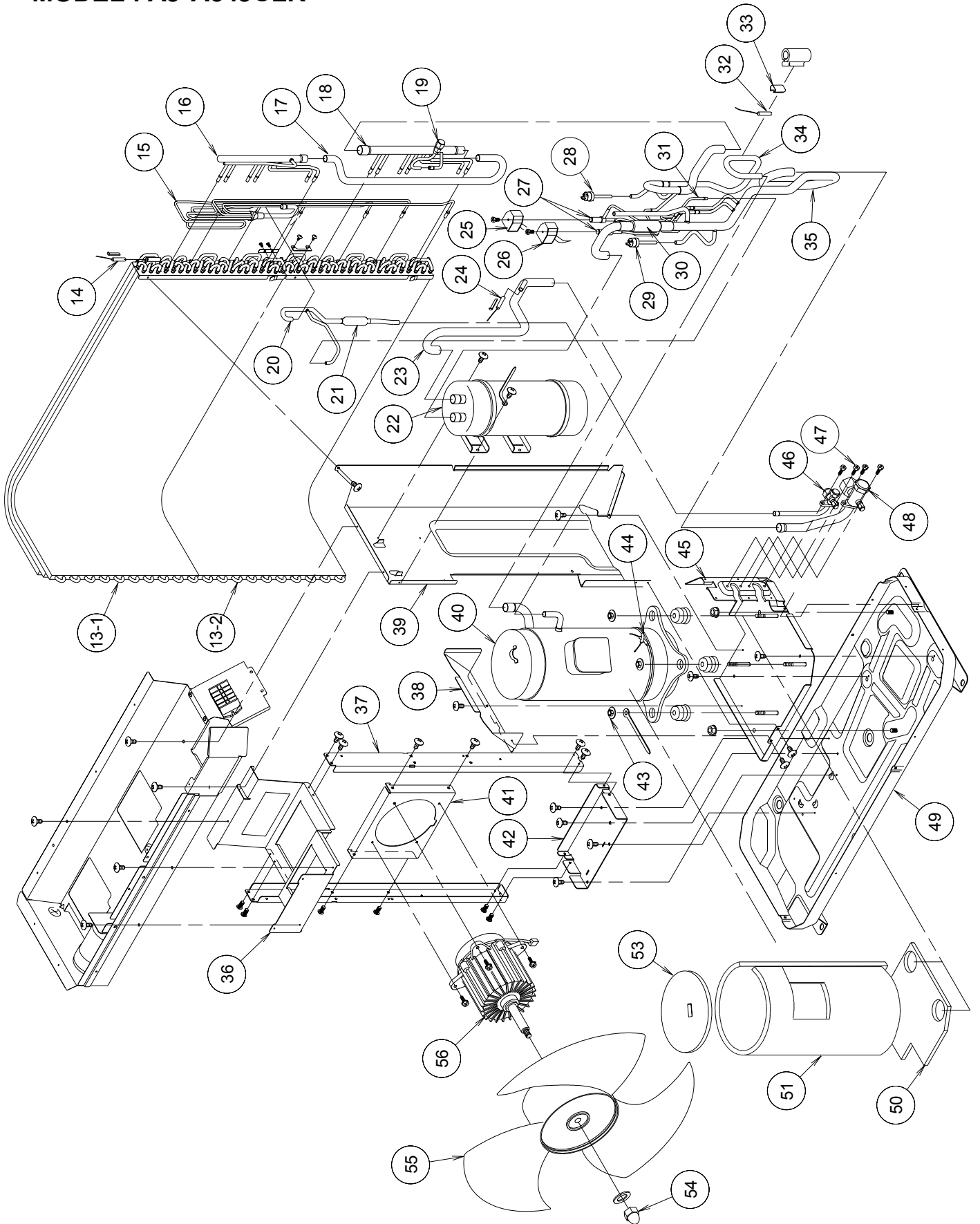
MODEL : AJ\*A54LCLR  
AJ\*A54JCLR



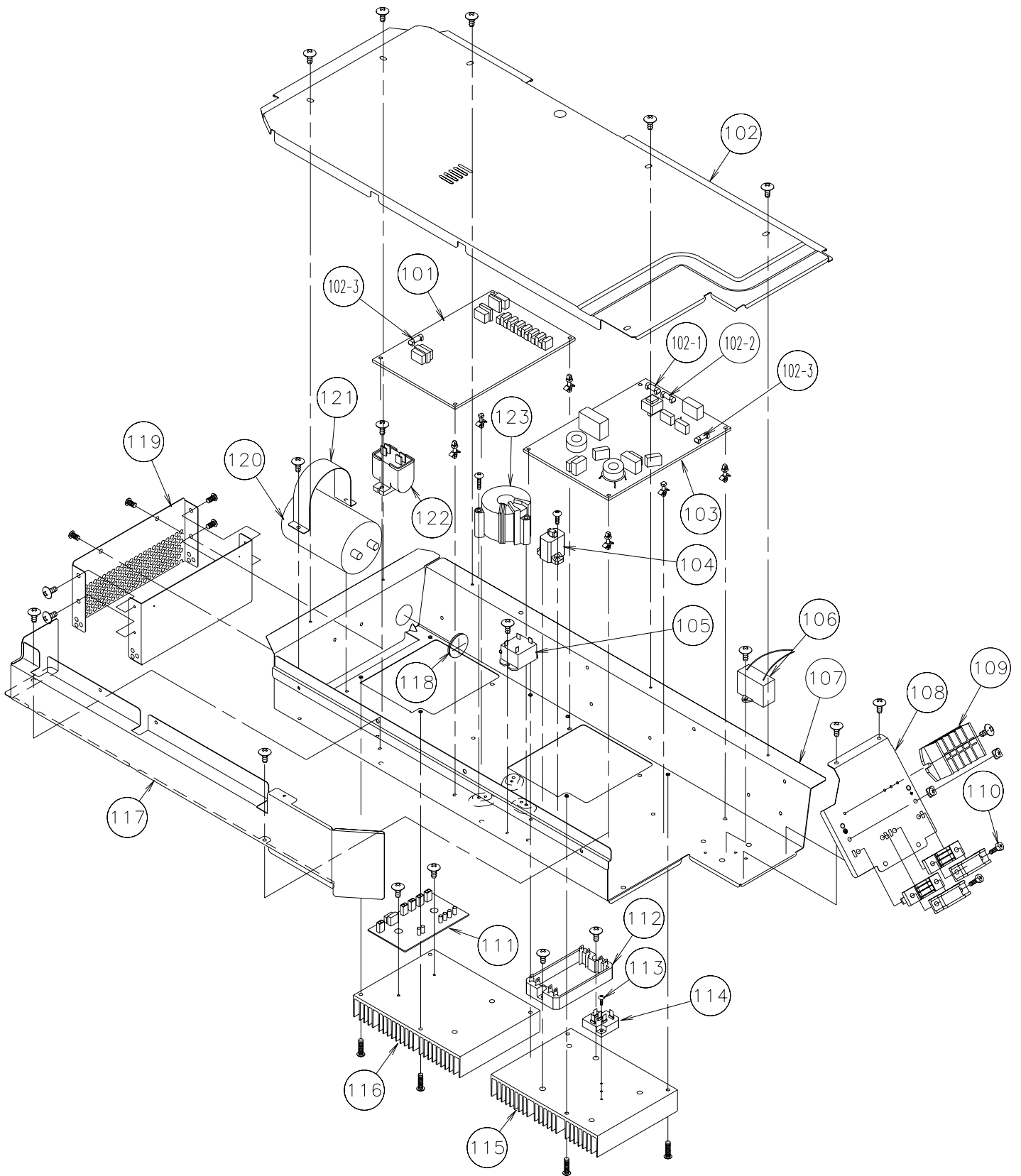
MODEL : AJ\*A54LCLR



MODEL : AJ\*A54JCLR



**MODEL : AJ\*A54LCLR  
AJ\*A54JCLR**



# PARTS LIST

| Ref No. | Description           | Parts No.<br>AJ*A54LCLR | Q'ty | Ref No. | Description          | Parts No.<br>AJ*A54LCLR | Q'ty |
|---------|-----------------------|-------------------------|------|---------|----------------------|-------------------------|------|
| 1       | DRAIN CAP             | 313166024302            |      | 51      | COMP PLATE           | 9372274019              |      |
| 2       | AUXILIARY PIPE ASSY   | 9374162017              |      | 52      | 3-WAY VALVE ASSY     | 9372205082              |      |
| 3       | DRAIN ASSY            | 9303029015              |      | 53      | BOLT                 | 0700145148              |      |
| 4       | ACCESSORY SUB ASSY    | 9372773031              |      | 54      | 3-WAY VALVE ASSY     | 9372205150              |      |
| 5       | CAB L SA              | 9372769027              |      | 55      | MOTOR,INDUCT         | 9601705017              |      |
| 6       | CABINET TOP PLATE     | 9359799023              |      | 56      | PROPELLER FAN        | 9361726000              |      |
| 7       | PRO NET(COND)         | 9372286029              |      | 57      | NUT(CAP)             | 0700106026              |      |
| 8       | FRONT PANEL ASSY      | 9372768020              |      | 58      | COMP COVER D         | 9378192003              |      |
| 9       | CAB R SA              | 9372770030              |      |         |                      |                         |      |
| 10      | PANEL(TOP) SA         | 9373347019              |      | 60      | COMP COVER C         | 9378190009              |      |
| 11      | VALVE COVER           | 9372796016              |      | 61      | COMP COVER A         | 9378191006              |      |
| 12      | FAN GUARD SA          | 9373056027              |      | 62      | BASE SA              | 9375259013              |      |
| 13      | CONDENSER A ASSY      | 9372267042              |      | 63      | COIL (EXP VLV)       | 9900190026              |      |
| 14      | CONDENSER B ASSY      | 9372267059              |      | 64      | EXPANSION VLV        | 9900170028              |      |
| 15      | THERMISTOR(OUT TEMP)  | 9703516078              |      | 65      | 4-WAY VALVE          | 9970035029              |      |
| 16      | THERMO HOLDER         | 9374177011              |      | 66      | SOLENOID             | 9900191016              |      |
| 17      | HEAT EX THERMISTER    | 9900193010              |      | 67      | JOINT PIPE B         | 9375277024              |      |
| 18      | DISTRIBUTOR ASSY      | 9375272012              |      | 68      | STRAINER ASSY        | 9372519011              |      |
| 19      | JOINT VALVE (EEV)     | 9375278045              |      |         |                      |                         |      |
| 20      | INLET PP(COND)A AS    | 9375273019              |      | 101     | CONTROLLER PCB       | 9705949027              |      |
| 21      | INLET PP(COND)C       | 9373465058              |      | 102-1   | FUSE F202            | 0600365097              |      |
| 22      | INLET PP(COND)B ASSY  | 9373463016              |      | 102-2   | FUSE F203            | 0600385163              |      |
| 23      | HEAT TH               | 9704220066              |      | 102-3   | FUSE F201            | 0600376062              |      |
| 24      | CHECK JOINT ASSY      | 9372802021              |      | 102     | CONT BOX MTL D SA    | 9375289010              |      |
| 25      | STRAINER AS           | 9372524015              |      | 103     | FILTER PCB           | 9705256026              |      |
| 26      | SOLENOID SV2          | 9970062025              |      | 104     | PTC THERMISTOR       | 9704265012              |      |
| 27      | SOLENOID SV1          | 9970062018              |      | 105     | MAIN RELAY           | 9353611017              |      |
| 28      | BYPASS VALVE ASSY     | 9375270025              |      | 106     | CAPACITOR,PLASTIC    | 9705497016              |      |
| 29      | SOLENOID VLV          | 9970061011              |      | 107     | CTR BOX MTL A        | 9372279014              |      |
| 30      | BELT HEATER           | 9361140264              |      | 108     | CONT BOX MTL B SA    | 9375286033              |      |
| 31      | PRESSURE SWITCH       | 9900186012              |      | 109     | TERMINAL 5P          | 9900428037              |      |
| 32      | PRESSURE SWITCH       | 9900187019              |      | 110     | BOLT                 | 0700145179              |      |
| 35      | DISCHARGE THERMISTER  | 9704219107              |      | 111     | TR ASSY              | 9705253032              |      |
| 36      | THERMISTOR SPRING     | 9372140017              |      | 112     | ACTPM                | 9707278019              |      |
| 37      | DISCHARGE PIPE A ASSY | 9375271015              |      | 113     | SCREW WITH WASHER    | 0700095054              |      |
| 38      | JOINT PIPE A          | 9375269012              |      | 114     | D,PWR(BRIDGE)        | 0100122039              |      |
| 40      | SUC PIPE AS           | 9375357016              |      | 115     | HEAT SINK A          | 9372282014              |      |
| 41      | SUCTION TEMP THERMO   | 9900192013              |      | 116     | HEAT SINK B          | 9372283011              |      |
| 42      | ACCUMULATOR AS        | 9372701027              |      | 117     | PROTECTOR            | 9372284025              |      |
| 43      | MTR BRKT A            | 9372270011              |      | 118     | CAP (POWER)          | 9352173011              |      |
| 44      | MTR BRKT B            | 9372271018              |      | 119     | CONT BOX MTL C SA    | 9373320029              |      |
| 45      | MTR BRKT C            | 9372272015              |      | 120     | CAPACITOR,ELEC       | 9704268020              |      |
| 46      | MTR BRKT D            | 9372273012              |      | 121     | BAND                 | 9372281017              |      |
| 47      | SEPA WALL C SUB ASSY  | 9373483014              |      | 122     | CAPACITOR(FAN MOTOR) | 9900089177              |      |
| 48      | SEPA WALL SA          | 9372767023              |      | 123     | COIL,CHOKE           | 9703458019              |      |
| 49      | COMPRESSOR ASSY       | 9372716014              |      |         |                      |                         |      |
| 50      | SPECIAL NUT M8        | 9355091008              |      |         |                      |                         |      |

# PARTS LIST

| Ref No. | Description              | Parts No.<br>AJ*A54JCLR | Q'ty | Ref No. | Description          | Parts No.<br>AJ*A54JCLR | Q'ty |
|---------|--------------------------|-------------------------|------|---------|----------------------|-------------------------|------|
| 2       | AUXILIARY PIPE ASSY      | 9374162017              |      | 51      | COMP COVER C         | 9378190009              |      |
| 4       | ACCESSORY SUB ASSY       | 9373583011              |      | 53      | COMP COVER D         | 9378192003              |      |
| 5       | CAB L SA                 | 9372769027              |      | 54      | NUT (CAP)            | 0700106026              |      |
| 6       | CABINET TOP PLATE        | 9359799023              |      | 55      | PROPELLER FAN        | 9361726000              |      |
| 7       | PRO NET(COND)            | 9372286029              |      | 56      | MOTOR,INDUCT         | 9601705017              |      |
| 8       | FRONT PANEL ASSY         | 9372768020              |      | 57      | DISTRIBUTOR ASSY     | 9375272012              |      |
| 9       | CAB R SA                 | 9372770030              |      | 58      | INLET PP(COND)A AS   | 9375273019              |      |
| 10      | PANEL(TOP) SA            | 9373347019              |      |         |                      |                         |      |
| 11      | VALVE COVER              | 9372796016              |      | 101     | CONTROLLER PCB       | 9705949027              |      |
| 12      | FAN GUARD SA             | 9373056027              |      | 102-1   | FUSE F202            | 0600365097              |      |
| 13-1    | CONDENSER A ASSY         | 9372267042              |      | 102-2   | FUSE F203            | 0600385163              |      |
| 13-2    | CONDENSER B ASSY         | 9372267059              |      | 102-3   | FUSE F201            | 0600376062              |      |
| 14      | HEAT TH                  | 9900193010              |      | 102     | CONT BOX MTL D SA    | 9375289010              |      |
| 15      | THERMISTOR(OUT TEMP)     | 9703516078              |      | 103     | FILTER PCB           | 9705256026              |      |
| 16      | THERMO HOLDER            | 9374177011              |      | 104     | PTC THERMISTOR       | 9704265012              |      |
| 17      | INLET PP(COND)C          | 9373465058              |      | 105     | MAIN RELAY           | 9353611017              |      |
| 18      | INLET PP(COND)B AS       | 9373463016              |      | 106     | CAPACITOR,PLASTIC    | 9705497016              |      |
| 19      | CHECK JOINT ASSY         | 9372802021              |      | 107     | CTR BOX MTL A        | 9372279014              |      |
| 20      | CONDENSING PIPE ASSY     | 9375268022              |      | 108     | CONT BOX MTL B SA    | 9375286033              |      |
| 21      | STRAINER ASSY            | 9372524015              |      | 109     | TERMINAL 5P          | 9900428037              |      |
| 22      | ACCUMULATOR ASSY         | 9372701027              |      | 110     | BOLT                 | 0700145179              |      |
| 23      | SUCTION PIPE ASSY        | 9375357016              |      | 111     | TR ASSY              | 9705253032              |      |
| 24      | SUCTION TH               | 9900192013              |      | 112     | ACTPM                | 9707278019              |      |
| 25      | SOLENOID SV2             | 9970062025              |      | 113     | SCREW WITH WASHER    | 0700095054              |      |
| 26      | SOLENOID SV1             | 9970062018              |      | 114     | D,PWR(BRIDGE)        | 0100122039              |      |
| 27      | SOLENOID VALVE           | 9970061011              |      | 115     | HEAT SINK A          | 9372282014              |      |
| 28      | PRESSURE SWITCH (HP)     | 9900186012              |      | 116     | HEAT SINK B          | 9372283011              |      |
| 29      | PRESSURE SWITCH (LP)     | 9900187019              |      | 117     | PROTECTOR            | 9372284025              |      |
| 30      | STRAINER ASSY            | 9372519011              |      | 118     | CAP (POWER)          | 9352173011              |      |
| 31      | BYPASS VALVE ASSY        | 9375270025              |      | 119     | CONT BOX MTL C SA    | 9373320029              |      |
| 32      | DISCHARGE TH             | 9704219107              |      | 120     | CAPACITOR,ELEC       | 9704268020              |      |
| 33      | THERMISTOR SPRING        | 9372140017              |      | 121     | BAND                 | 9372281017              |      |
| 34      | DISCHARGE PIPE A ASSY    | 9375271022              |      | 122     | CAPACITOR(FAN MOTOR) | 9900089177              |      |
| 35      | SUCTION PIPE B ASSY      | 9375269029              |      | 123     | COIL,CHOKE           | 9703458019              |      |
| 36      | MOTOR BRACKET A          | 9372270011              |      |         |                      |                         |      |
| 37      | MOTOR BRACKET B          | 9372271018              |      |         |                      |                         |      |
| 38      | SEPA WALL C SA           | 9373483014              |      |         |                      |                         |      |
| 39      | SEPALATE WALL SUB ASSY   | 9372767023              |      |         |                      |                         |      |
| 40      | COMPRESSOR ASSY          | 9372716014              |      |         |                      |                         |      |
| 41      | MOTOR BRACKET C          | 9372272015              |      |         |                      |                         |      |
| 42      | MOTOR BRACKET D          | 9372273012              |      |         |                      |                         |      |
| 43      | SPECIAL NUT M8           | 9355091008              |      |         |                      |                         |      |
| 44      | BELT HEATER              | 9361140264              |      |         |                      |                         |      |
| 45      | COMP PLATE ASSY          | 9372274019              |      |         |                      |                         |      |
| 46      | 3-WAY VALVE ASSY (9.52)  | 9372205082              |      |         |                      |                         |      |
| 47      | BOLT                     | 0700145148              |      |         |                      |                         |      |
| 48      | 3-WAY VALVE ASSY (19.05) | 9372205150              |      |         |                      |                         |      |
| 49      | BASE SUB ASSY            | 9375259013              |      |         |                      |                         |      |
| 50      | COMP COVER A             | 9378191006              |      |         |                      |                         |      |