

HYBRID FLEX INVERTER SYSTEM

# SERVICE MANUAL



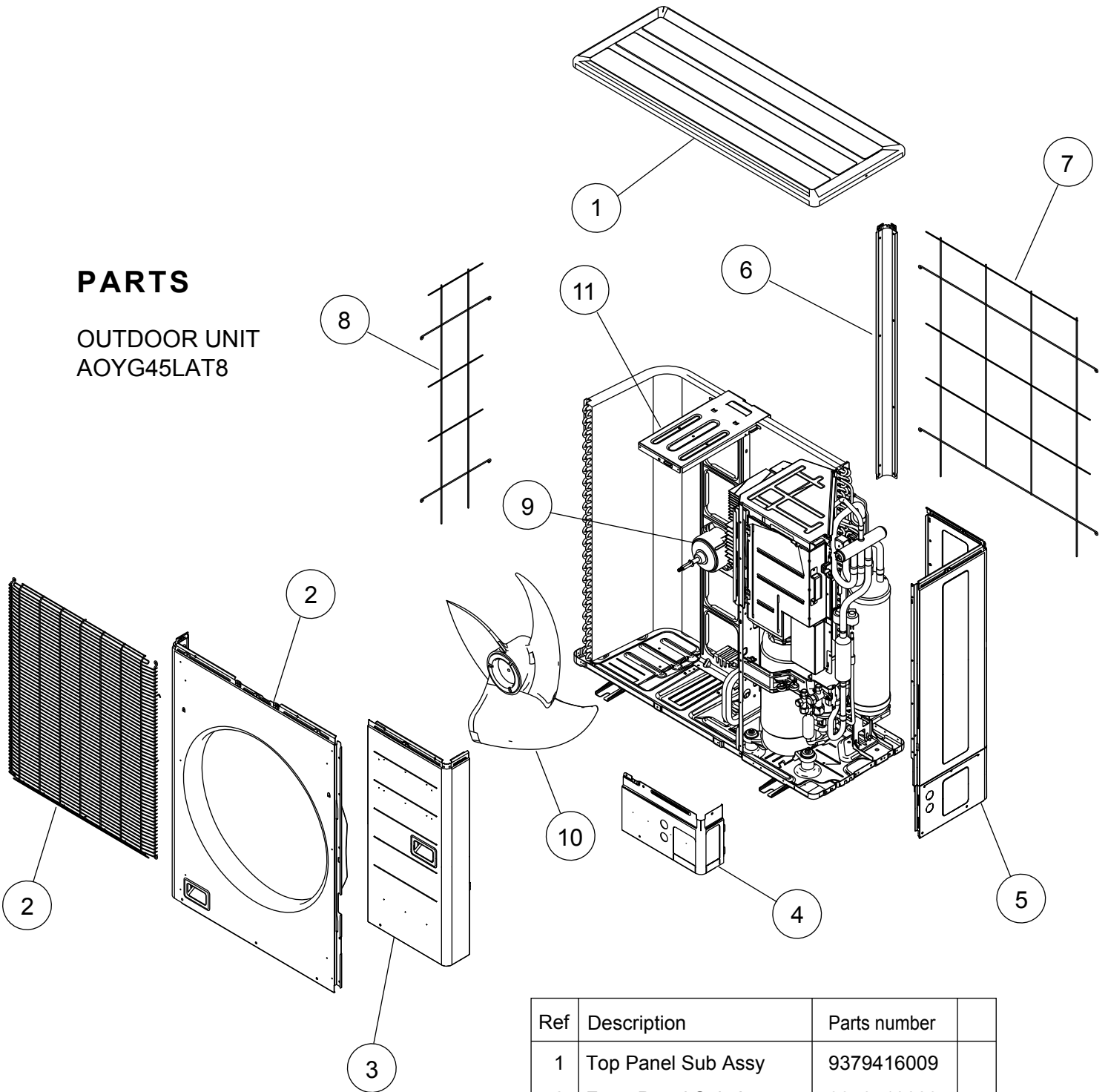
Outdoor unit  
AOYG45LAT8

Branch box  
UTP-PY02A  
UTP-PY03A

Separation tube  
UTP-SX248A

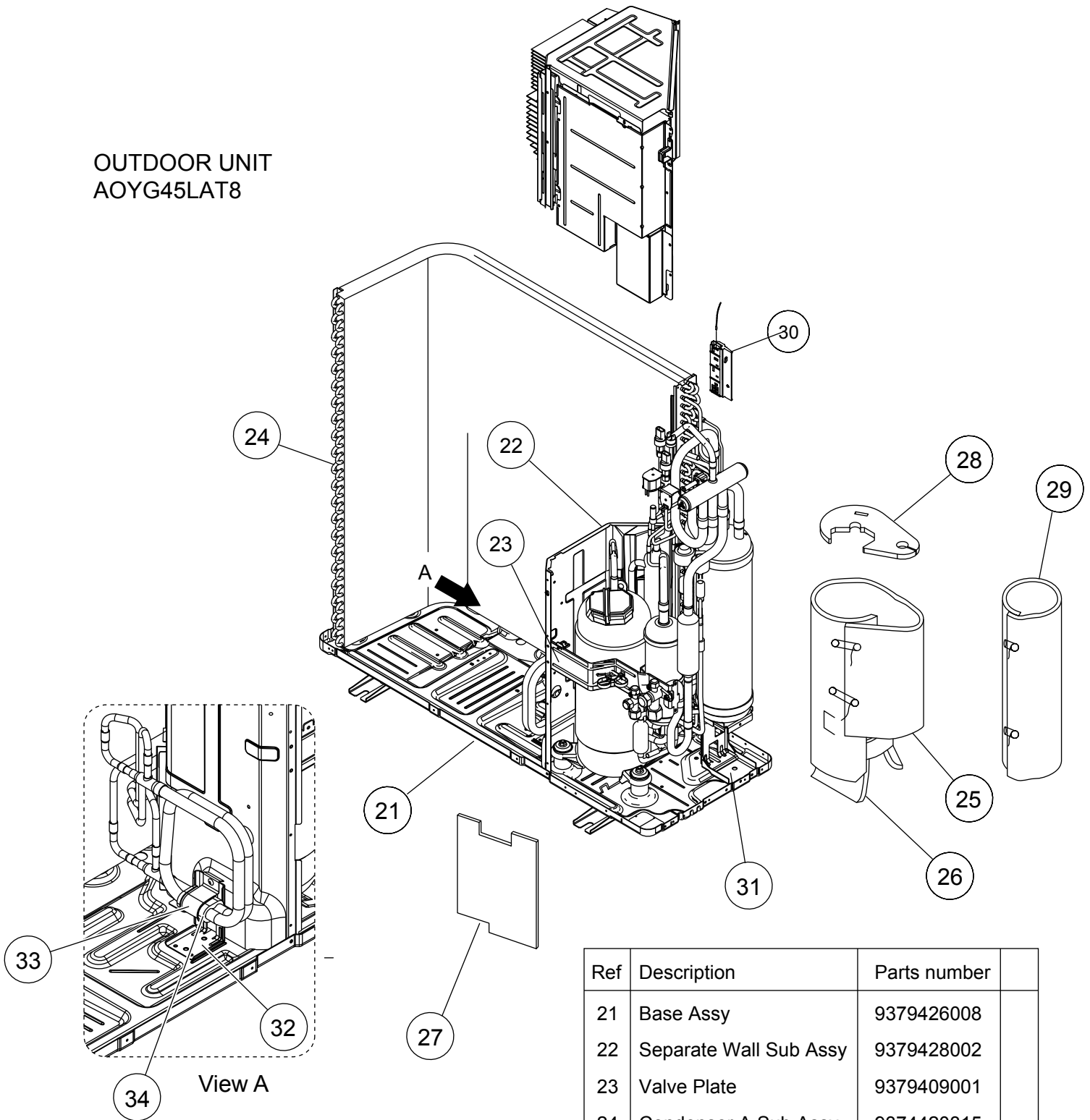
# PARTS

OUTDOOR UNIT  
AOYG45LAT8



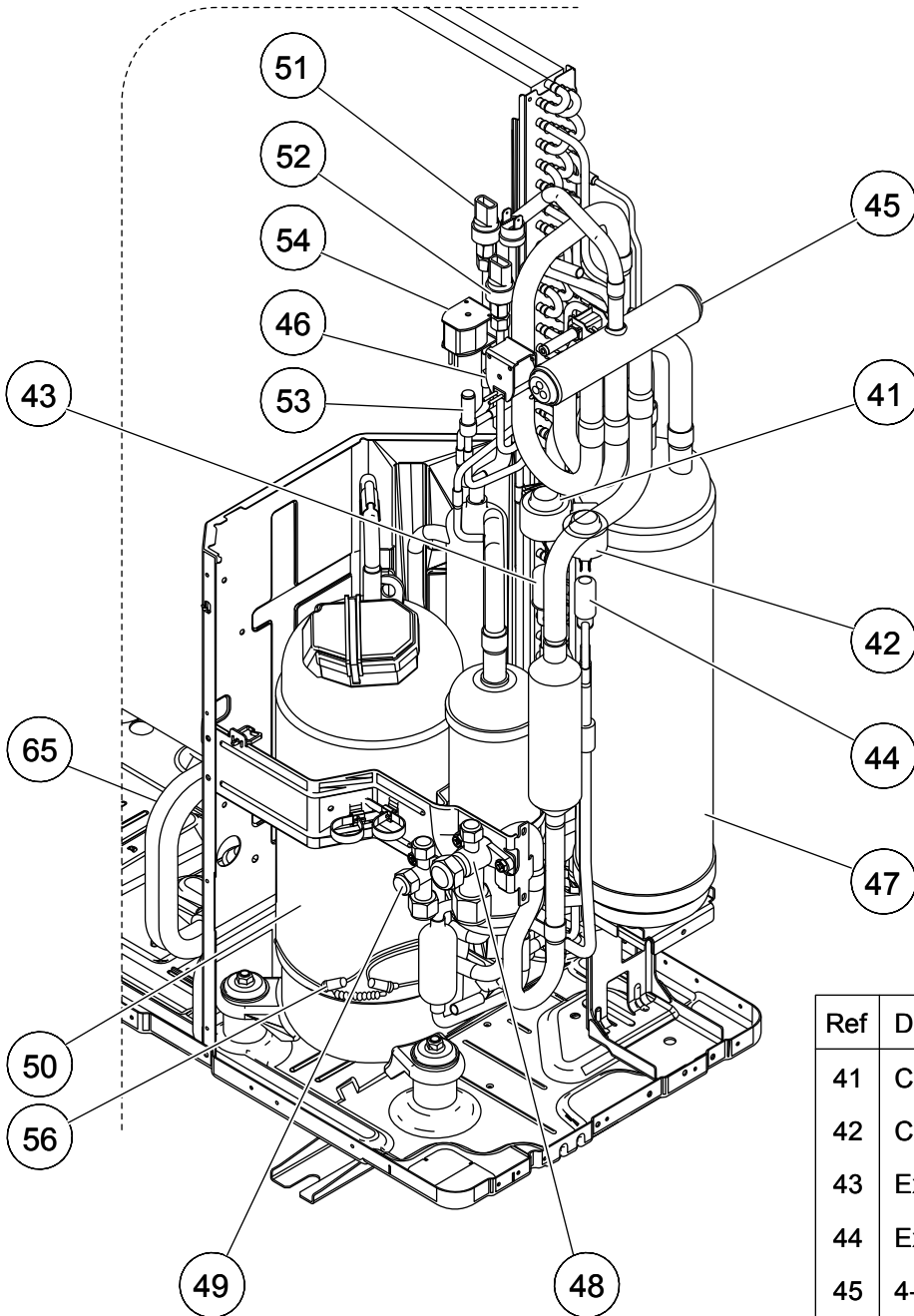
Ref	Description	Parts number
1	Top Panel Sub Assy	9379416009
2	Front Panel Sub Assy	9379418003
3	Service Panel Sub Assy	9379424004
4	Pipe Cover Front	9378861015
5	Right Panel Sub Assy	9379420006
6	Left Panel	9379431002
7	Protective Net (Rear)	9379404006
8	Protective Net (Left)	9379396004
9	Motor DC Brushless	9603013011
10	Propeller Fan	9379414005
11	Motor Bracket Sub Assy	9379429009
--	Rear Emblem	9380114000

OUTDOOR UNIT  
AOYG45LAT8



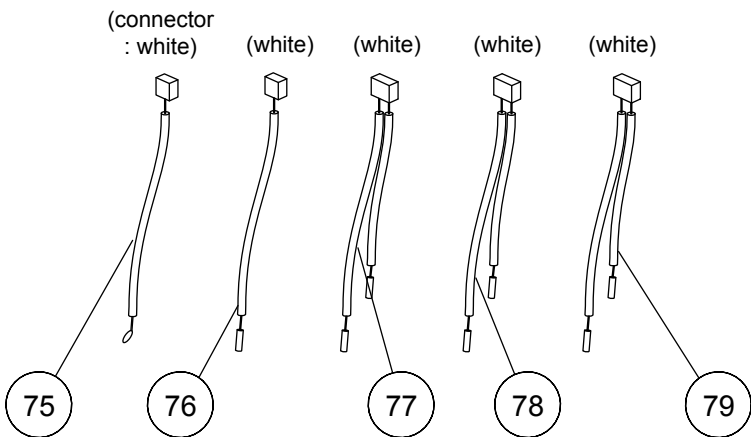
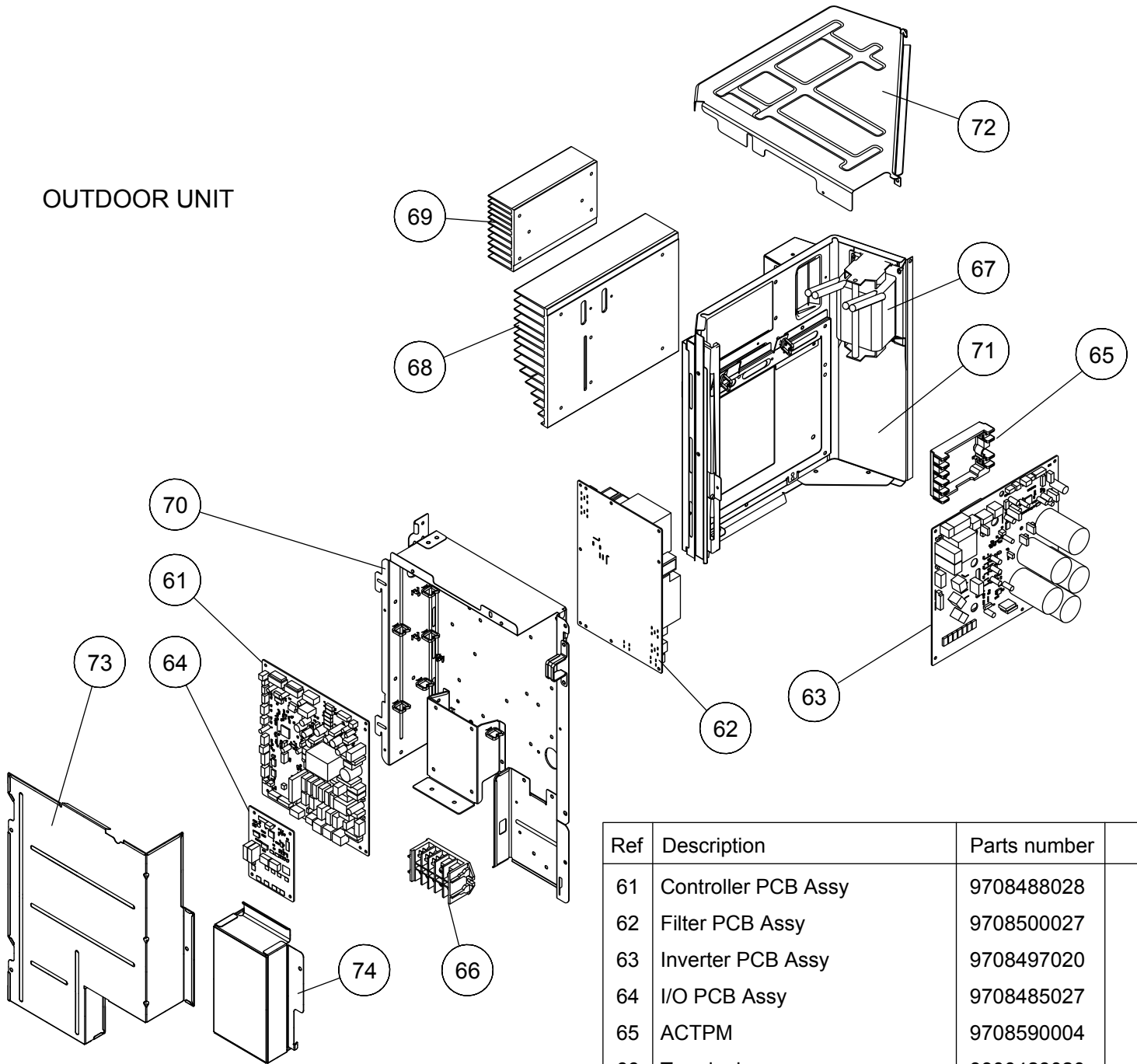
Ref	Description	Parts number
21	Base Assy	9379426008
22	Separate Wall Sub Assy	9379428002
23	Valve Plate	9379409001
24	Condenser A Sub Assy	9374420315
25	Compressor Cover A	9378611054
26	Compressor Cover B	9379974004
27	Compressor Cover C	9380399001
28	Compressor Cover Top	9379975001
29	Accumulator Cover	9379977005
30	Thermo Holder	9374177011
31	Holder (Accumulator)	9379762007
32	Holder (Sub Cool) A	9379674003
33	Holder (Sub Cool) B	9379675000
34	Rubber (Sub Cool)	9379676007

OUTDOOR UNIT  
AOYG45LAT8

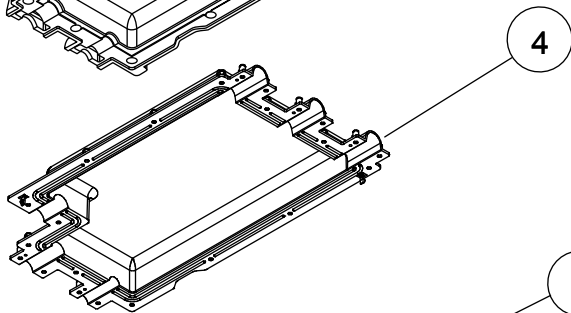
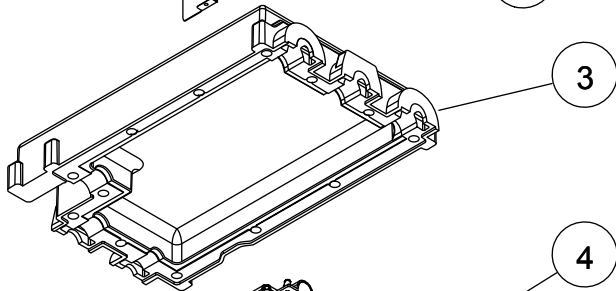
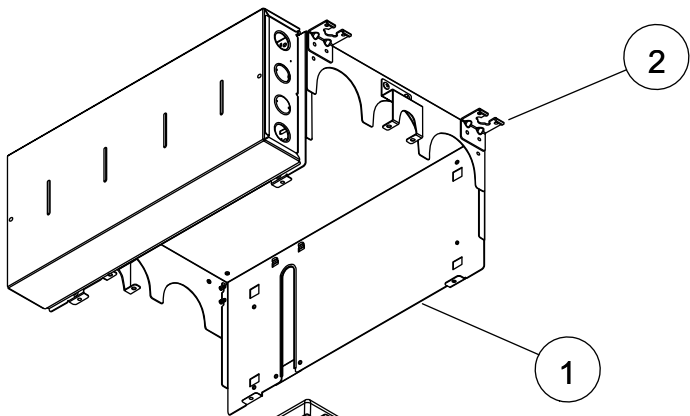


Ref	Description	Parts number
41	Coil (Expansion Valve)	9970098031
42	Coil (Expansion Valve)	9970096068
43	Expansion Valve A Assy	9380060079
44	Expansion Valve B Assy	9380060086
45	4-way Valve Assy	9374425211
46	Solenoid (4-way Valve)	9970055072
47	Accumulator Sub Assy	9372700044
48	3-way Valve A Assy	9380032007
49	3-way Valve B Assy	9380031000
50	Compressor Assy	9374423248
51	Sensor (HP)	9900505059
52	Sensor (LP)	9900505066
53	Solenoid Valve Assy	9380016014
54	Solenoid (Solenoid Valve)	9900189228
55	Sub Cool HEx Sub Assy	9379051026
56	Belt Heater	9361140301

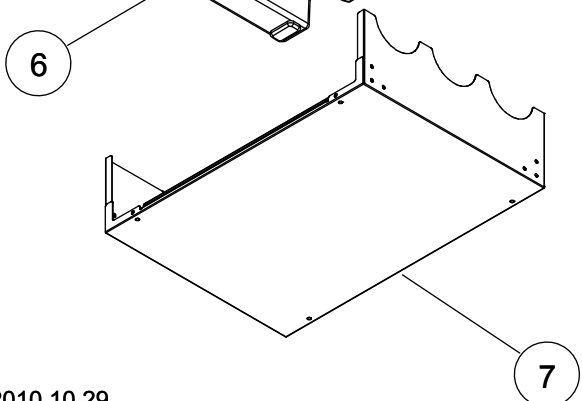
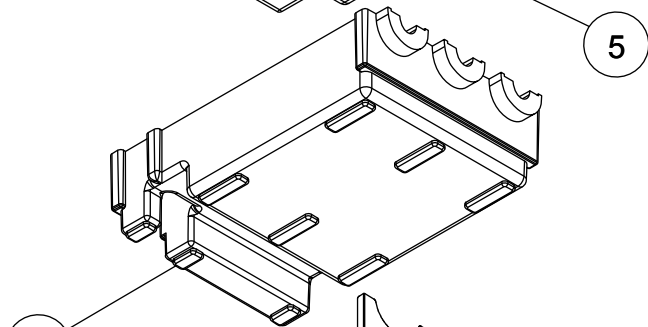
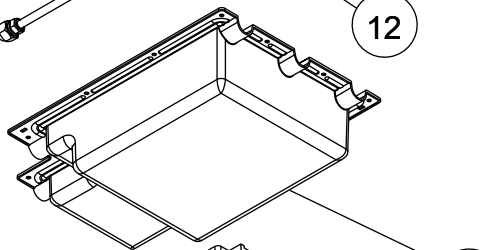
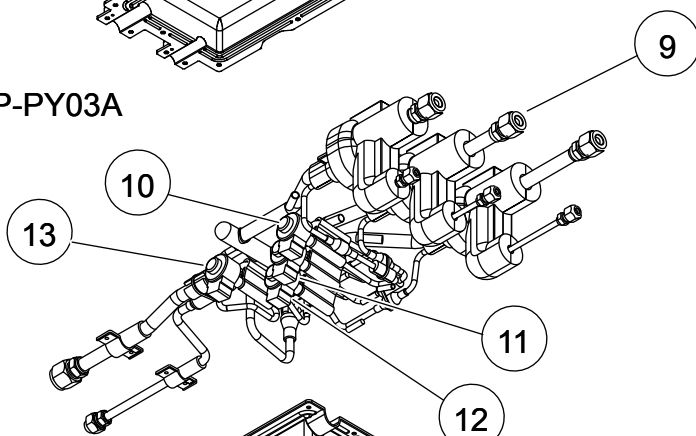
# OUTDOOR UNIT



Ref	Description	Parts number
61	Controller PCB Assy	9708488028
62	Filter PCB Assy	9708500027
63	Inverter PCB Assy	9708497020
64	I/O PCB Assy	9708485027
65	ACTPM	9708590004
66	Terminal	9900428020
67	Choke Coil	9900592011
68	Heatsink A	9379787000
69	Heatsink B	9379788007
70	Case (Main) Assy	9380049012
71	Case (Inv) Assy	9380050001
72	Cover (Top)	9379774000
73	Cover (Front) Assy	9380068006
74	Cover (Terminal)	9379850001
75	Thermistor (Outdoor)	9900210052
76	Thermistor (Suction)	9900600006
77	Thermistor Assy (Heat Ex & Subcool Lo (Out))	9900599003
78	Thermistor Assy (Subcool Lo (In) & Hi (Out))	9900599010
79	Thermistor Assy (Discharge & Comp. Temp.)	9900598006



UTP-PY03A



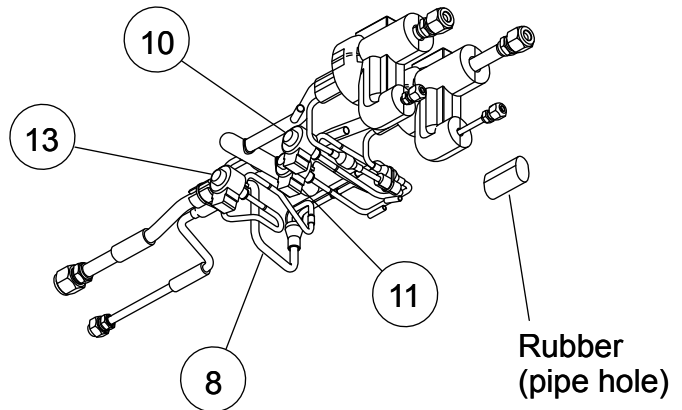
## PARTS

BRANCH BOX

UTP-PY02A (2 branch)

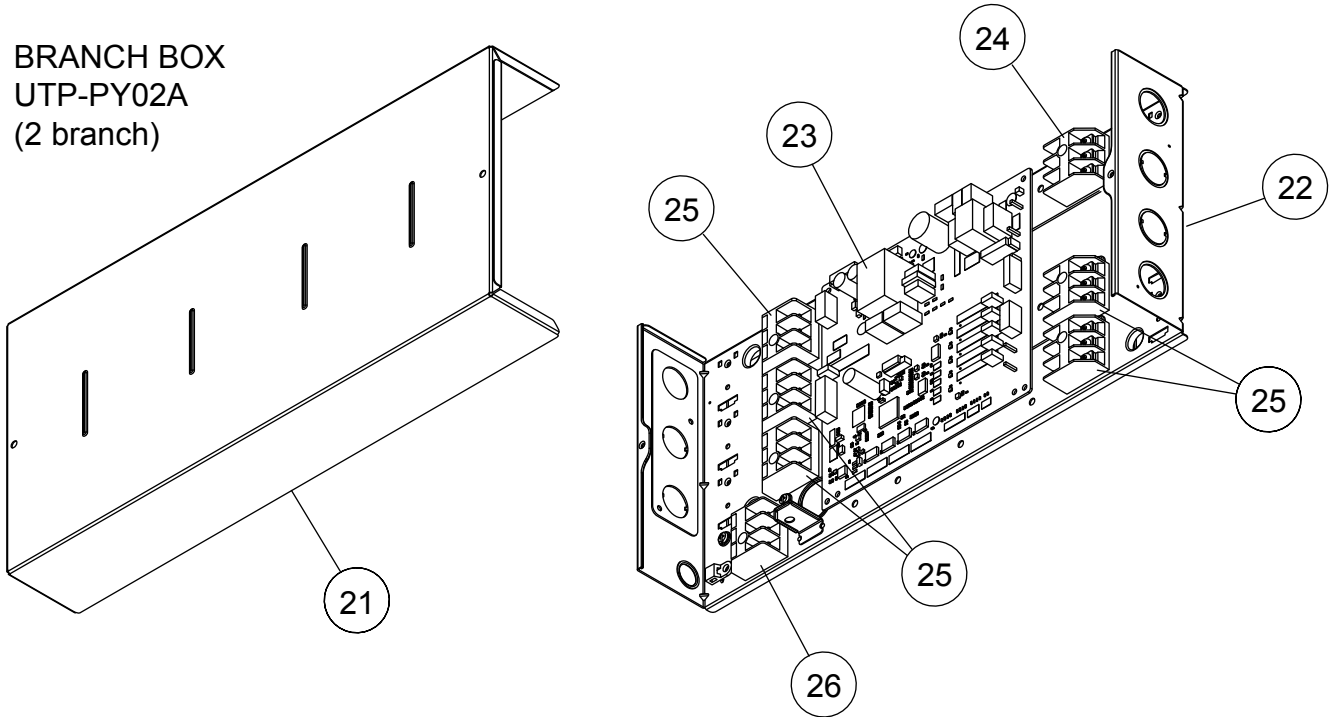
UTP-PY03A (3 branch)

UTP-PY02A

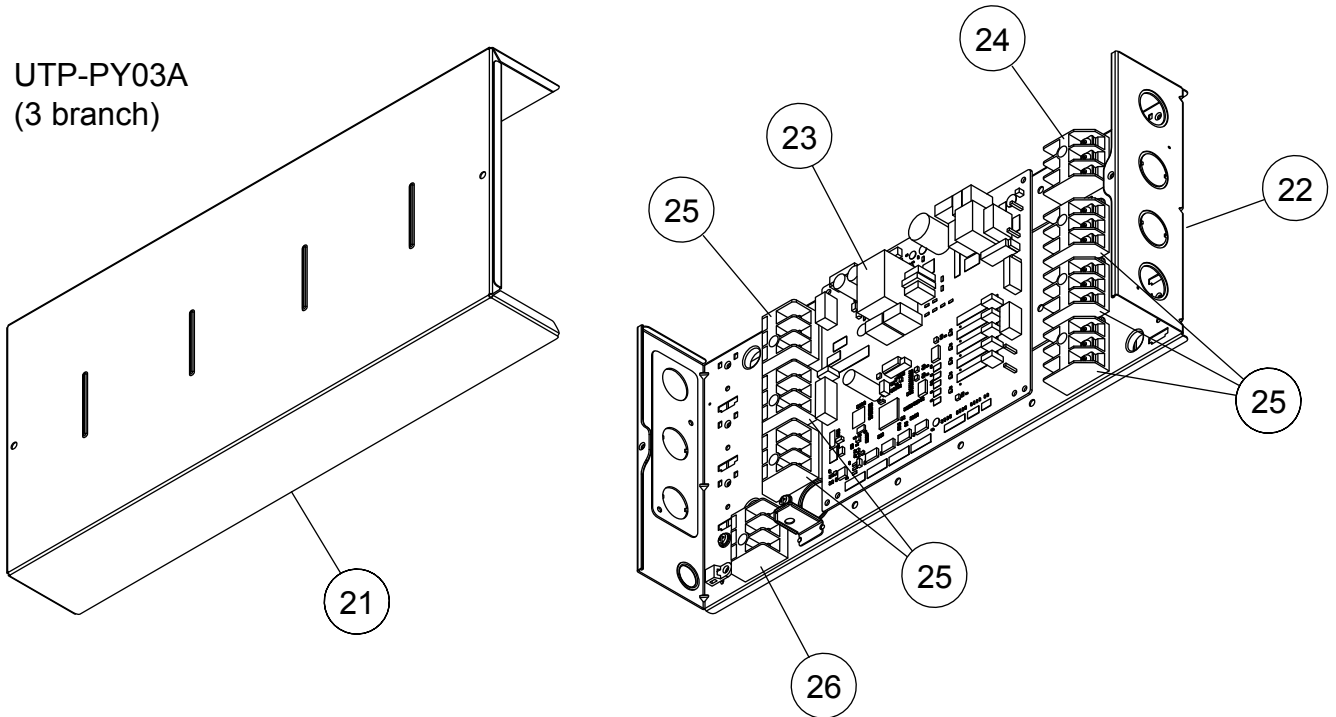


Ref	Description	Parts number
1	Top Panel	9379775007
2	Hook Metal	9379778008
3	Insulation Box (Top) Sub Assy	9380102007
4	Top Case Sub Assy	9380108009
5	Bottom Case	9379789004
6	Insulation Box (Bottom) Sub Assy	9380103004
7	Bottom Panel	9379776004
8	Pipe Unit (UTP-PY02A)	9380055037
9	Pipe Unit (UTP-PY03A)	9380055020
10	EEV Coil A (Red)	9970106019
11	EEV Coil B (White)	9970106026
12	EEV Coil C (Green) (UTP-PY03A only)	9970106033
13	EEV Coil Bypass (Blue)	9970106040
--	Thermistor Assy A B (Red & White)	9900596002
--	Thermistor Assy C (Green) (03 only)	9900597009

BRANCH BOX  
UTP-PY02A  
(2 branch)



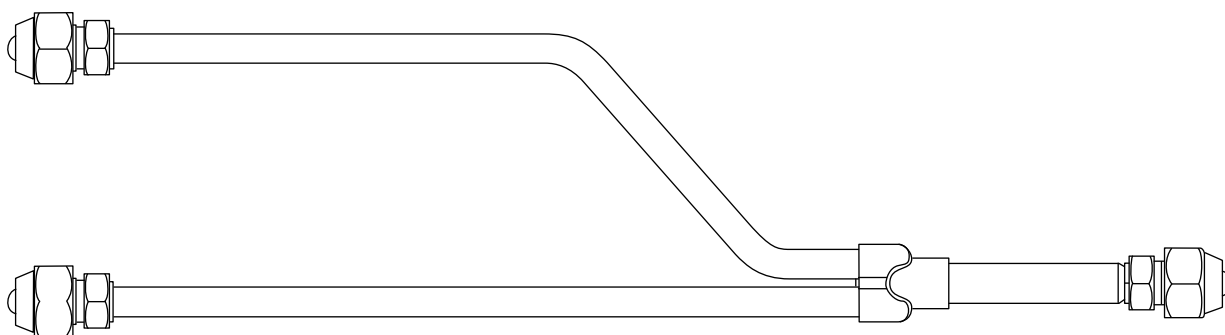
UTP-PY03A  
(3 branch)



Ref	Description	Parts number
21	Control Box Cover	9379781008
22	Control Box Assy	9380053002
23	Controller PCB Assy	9708741017
24	Terminal (Power)	9306489199
25	Terminal (Inner)	9306489182
26	Terminal (Remote)	9900567002

SEPARATION TUBE  
UTP-SX248A

Branch Pipe A Sub Assy : 9371627069



Branch Pipe B Sub Assy : 9373161288

