

SERVICE MANUAL



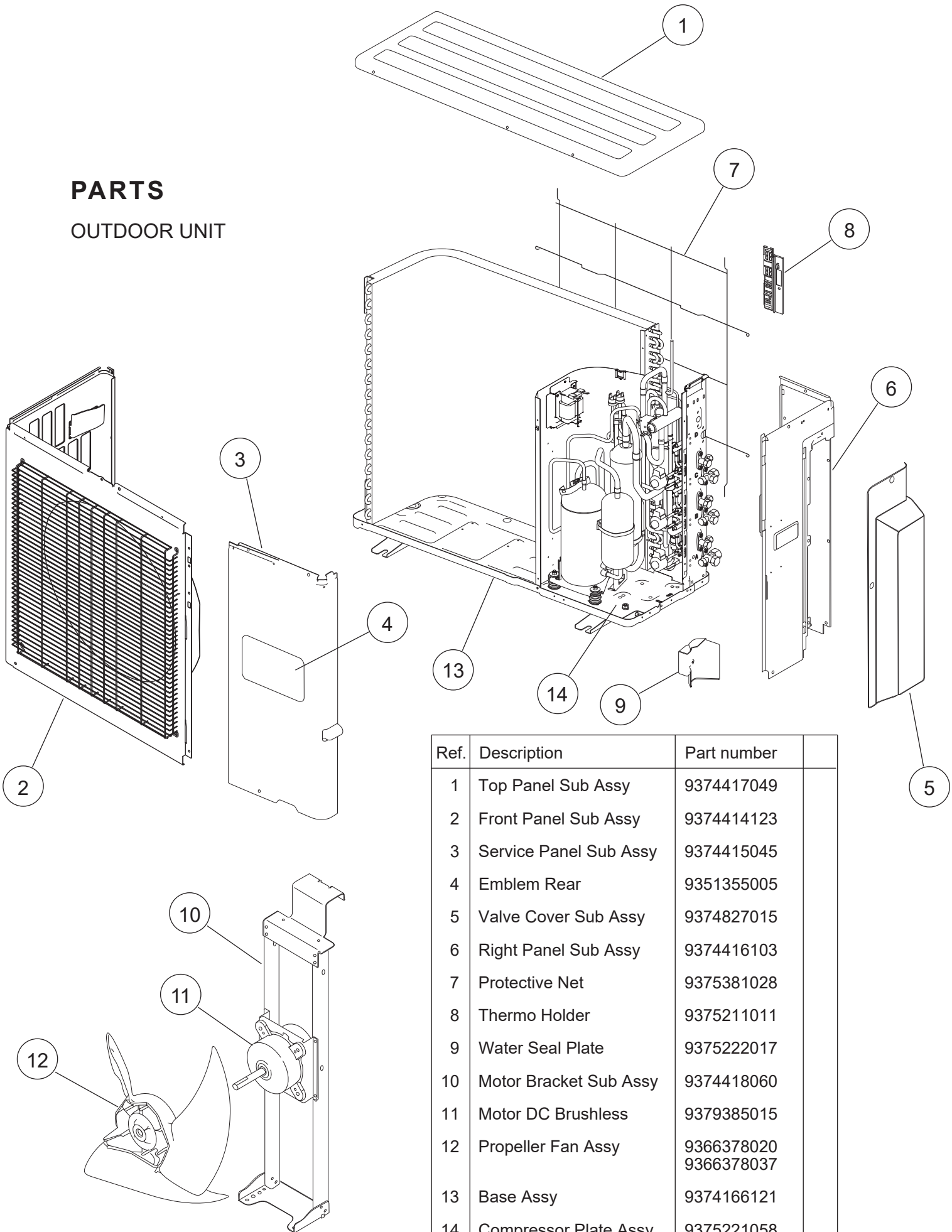
CONTENTS

SPECIFICATIONS.....	1
DIMENSIONS.....	11
REFRIGERANT SYSTEM DIAGRAM...	21
CIRCUIT DIAGRAM.....	22
OUTDOOR PCB CIRCUIT DIAGRAM...	29
INDOOR PCB CIRCUIT DIAGRAM.....	32
ERROR DETECTION.....	62
PARTS (OUTDOOR UNIT).....	65
PARTS (INDOOR UNIT).....	69
ACCESSORIES.....	135

Outdoor unit	Indoor unit
AOYG18LAT3	ASYG07, 09, 12LJCA ASYG07, 09, 12, 14LUCA ASYG07, 09, 12, 14LMCA ASYG07, 09, 12, 14LMCE ASYG07, 09, 12, 14KMCC AUYG07, 09, 12, 14LVLA AUYG12, 14LVLB UTG-UFYD-W AGYG09, 12, 14LVCA ARYG07, 09, 12, 14LLTA ARYG12, 14LLTB ARYG07, 09, 12, 14LSLAP ABYG14LVTA
AOYG24LAT3	ASYG07, 09, 12LJCA ASYG07, 09, 12, 14LUCA ASYG07, 09, 12, 14LMCA ASYG07, 09, 12, 14LMCE ASYG07, 09, 12, 14KMCC ASYG18LFCA AUYG07, 09, 12, 14, 18LVLA AUYG12, 14, 18LVLB UTG-UFYD-W AGYG09, 12, 14LVCA ARYG07, 09, 12, 14, 18LLTA ARYG12, 14, 18LLTB ARYG07, 09, 12, 14, 18LSLAP ABYG14, 18LVTA ABYG18LVTB

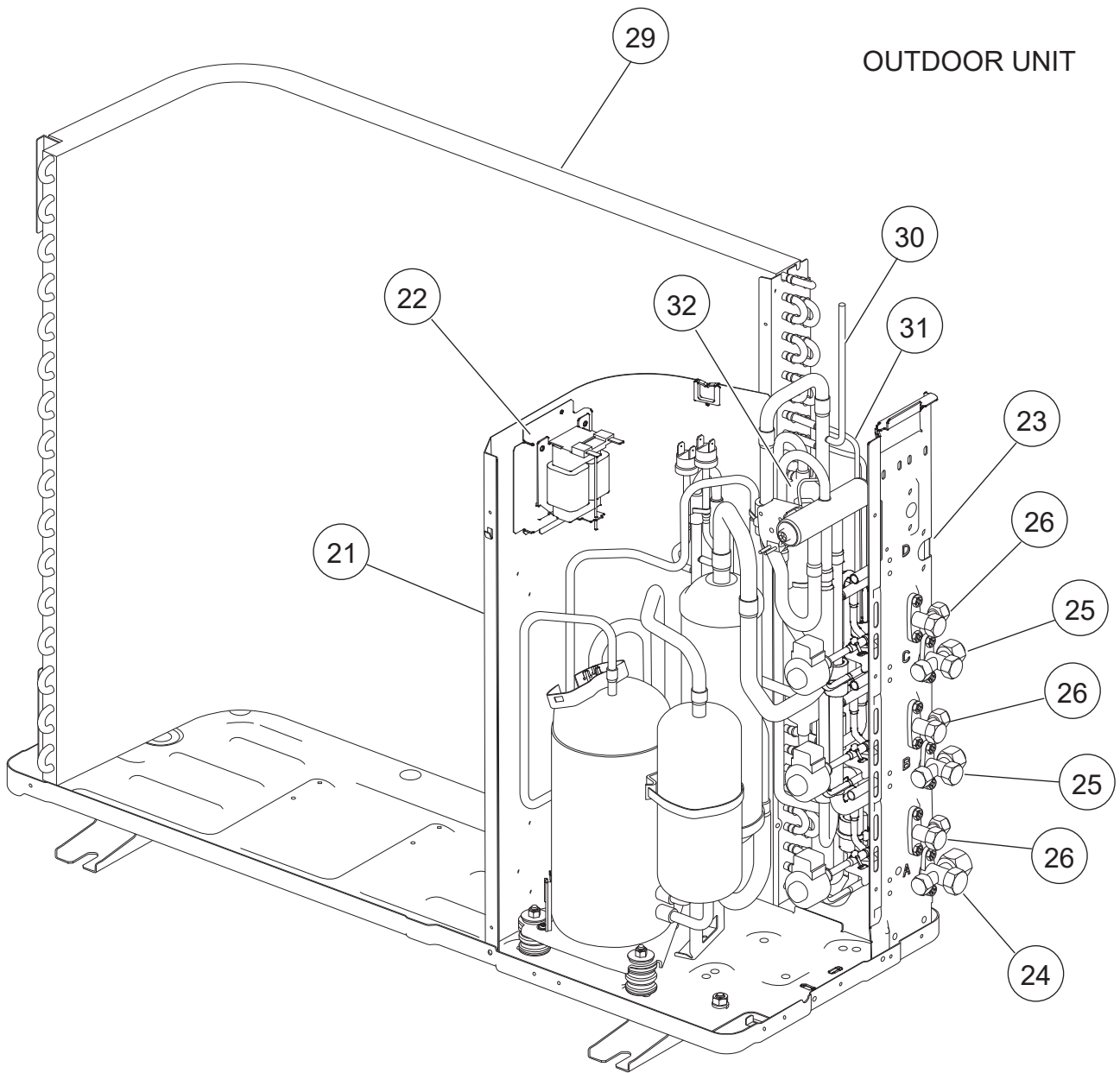
PARTS

OUTDOOR UNIT



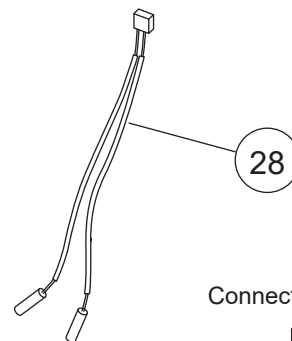
Ref.	Description	Part number
1	Top Panel Sub Assy	9374417049
2	Front Panel Sub Assy	9374414123
3	Service Panel Sub Assy	9374415045
4	Emblem Rear	9351355005
5	Valve Cover Sub Assy	9374827015
6	Right Panel Sub Assy	9374416103
7	Protective Net	9375381028
8	Thermo Holder	9375211011
9	Water Seal Plate	9375222017
10	Motor Bracket Sub Assy	9374418060
11	Motor DC Brushless	9379385015
12	Propeller Fan Assy	9366378020 9366378037
13	Base Assy	9374166121
14	Compressor Plate Assy	9375221058
--	Drain Assy	9303029015
--	Drain Cap	313166024302

OUTDOOR UNIT

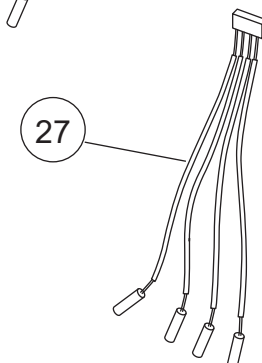


Ref.	Description	Part number
21	Separate Wall Sub Assy	9374413164
22	Choke Coil	9900366018
23	Valve Plate Assy	9374628148
24	3-way Valve Assy (1/2")	9375104016
25	3-way Valve Assy (3/8")	9375103019
26	2-way Valve Assy	9375102012
27	Pipe Thermistor (White)	9900543020
28	Pipe Thermistor (Red)	9900632007
29	Condenser A Sub Assy	9374420223
30	Inlet Pipe (Cond) A Assy	9373461104
31	Outlet Pipe (Cond) A Assy	9374266111
32	Receiver Tank Assy	9374575039
--	Strainer Assy	9372524015

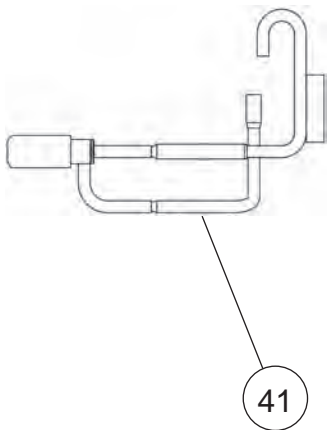
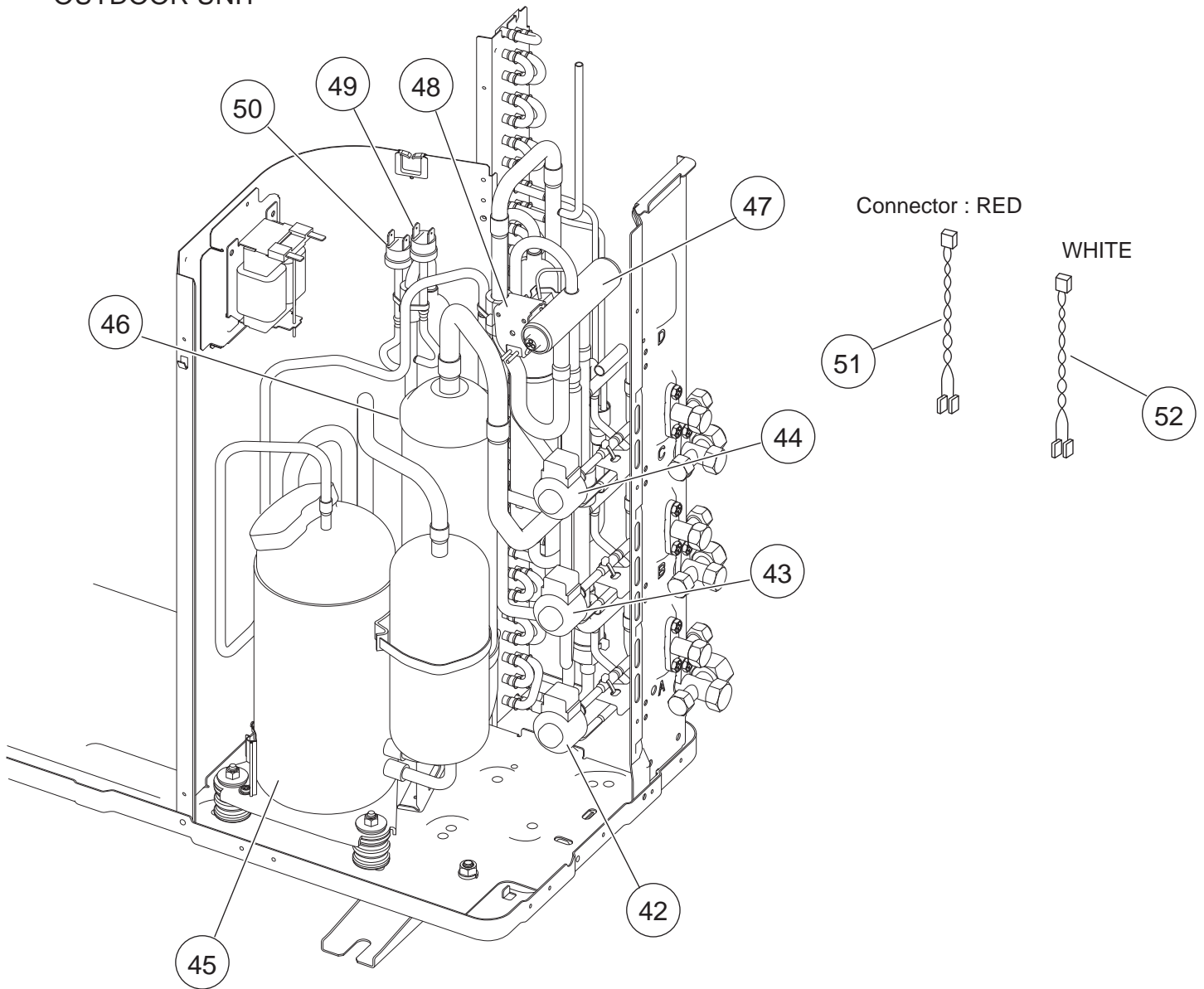
Connector : RED



Connector : WHITE

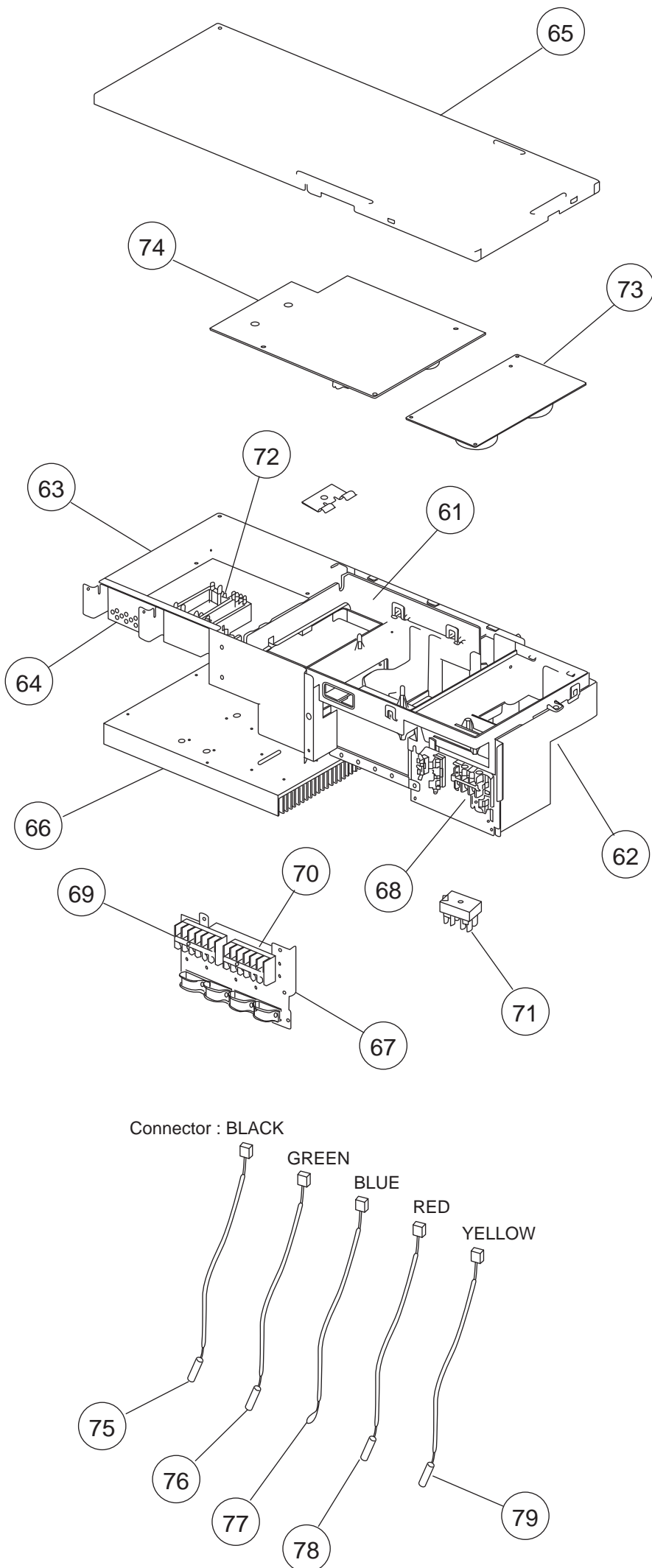


OUTDOOR UNIT



Ref.	Description	Part number
41	Expansion Valve Assy	9370947151
42	Expansion Valve Coil (A=Red)	9970101069
43	Expansion Valve Coil (B=White)	9970101038
44	Expansion Valve Coil (C=Green)	9970101045
45	Compressor Assy	9315297037
46	Accumulator Assy	9375250027
47	4-way Valve Assy	9374425136
48	Solenoid	9900165079
49	Pressure Switch A	9900186012
50	Pressure Switch B	9900341015
51	Wire (Pressure Sw) (Red)	9377823014
52	Wire (Pressure Sw) (White)	9377823021

OUTDOOR UNIT



Ref.	Description	Part number
61	Inverter Box A	9374603015
62	Inverter Box B Assy	9374625048
63	Inverter Box C	9375140014
64	Inverter Box Duct	9374609017
65	Inverter Box Cover	9375139018
66	Heat Sink A	9375138011
67	Inverter Box D	9374606047
68	Terminal (3P)	9900203016
69	Terminal (6P)	9900016036
70	Terminal (3P)	9306489045
71	Terminal (3P)	9900433017
72	ACTPM	9703457012
73	Power Supply PCB	9705647091
74	Controller PCB (18)	9709682692
74	Controller PCB (24)	9709682708
75	Heat Sink Thermistor	9900311018
76	Compressor Thermistor	9900156053
77	Thermistor (Outdoor)	9900477011
78	Heat Exchanger Thermistor	9900540005
79	Discharge Thermistor	9900621018